



Sav-Con[®] connector savers

MIL-DTL-38999 Series I

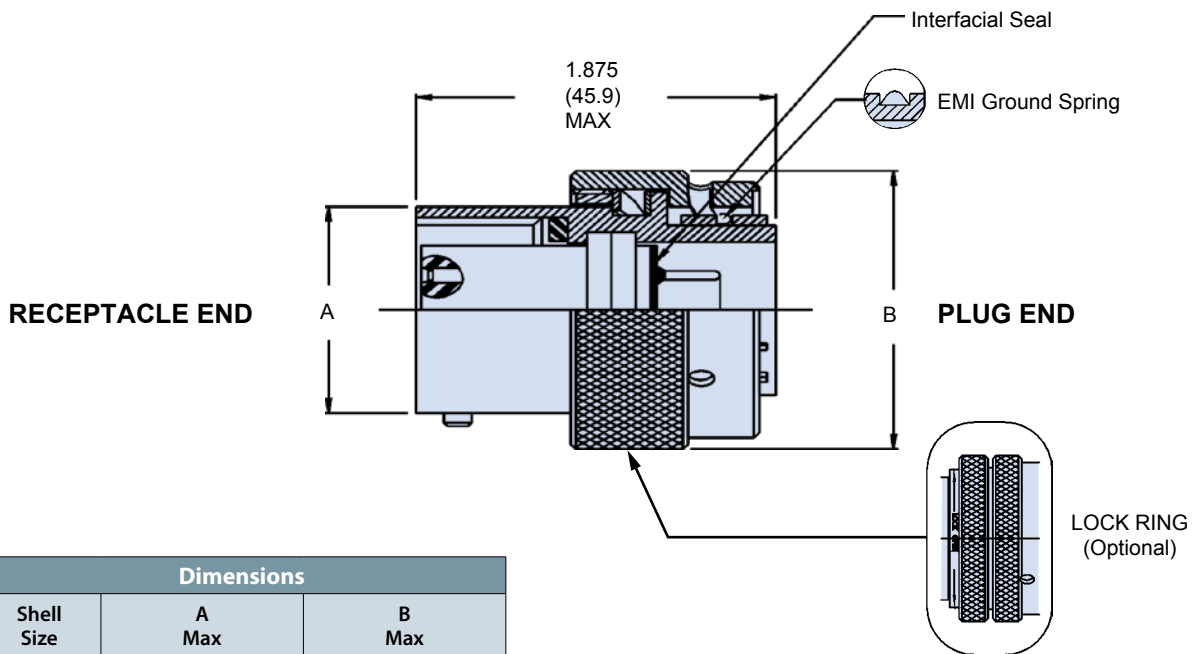
941-003 and 942-003 Bayonet Coupling



941-003 ENVIRONMENTAL AND 942-003 HIGH RELIABILITY WITH BAYONET COUPLING

How To Order									
Sample Part Number	94	1	L	003	M	17-35	P	A	131
Series	94								
Class	1 = Environmental 2 = High Reliability								
Lock Ring (optional)	L = Lock Ring - (dash) = Standard								
Basic Number	003								
Finish	See Table I								
Shell Size - Insert Arrangement	See Table II								
Contact Type	P = Pins, Plug Side S = Sockets, Plug Side								
Alternate Key Position	A, B, C, D , Omit for N ; See Table III								
Mod Code	131 = Dry Lube (Omit for None)								

*Add Modification Code 131 for dry lubricant on inside surfaces of the coupling nut. May not be suitable for space applications.



Dimensions		
Shell Size	A Max	B Max
09	.573 (14.6)	.910 (23.1)
11	.701 (17.8)	1.035 (26.3)
13	.851 (21.6)	1.210 (30.7)
15	.976 (24.8)	1.330 (33.8)
17	1.101 (28.0)	1.455 (37.0)
19	1.208 (30.7)	1.570 (39.9)
21	1.333 (33.9)	1.695 (43.1)
23	1.458 (37.0)	1.800 (45.7)
25	1.583 (40.2)	1.925 (48.9)

INTERMATEABLE WITH THE FOLLOWING CONNECTORS:

PATT 616
NFC C93-422 (HE308)



Sav-Con® connector savers

MIL-DTL-38999 Series I

Reference Information



Table I: Material and Finish

Plating Code	Material	Finish	
M	Aluminum	Electroless Nickel	
B		Cad Plate, Olive Drab	
NF		Cadmium Plate Olive Drab over Electroless Nickel	
NC		Zinc-Cobalt	
ZN		Olive Drab Zinc-Nickel	
MT		Ni-PTFE 1000 Hour Grey™ (Nickel Fluorocarbon Polymer)	
ZR		Zinc Nickel, Black	
ME		Electroless Nickel (RoHS)	
ZL		Stainless Steel	Electro-Deposited Nickel

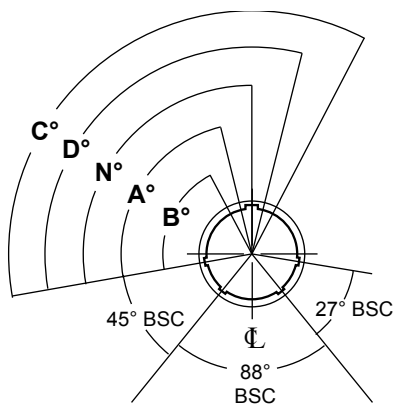
Table II: Insert Arrangement

Shell Size Desig.	Insert Arr. Dash No.	Contact Size and Qty			
		22	20	16	12
9	9-3		3		
	9-44	4			
	9-35	6			
	9-98		3		
11	11-2			2	
	11-4		4		
	11-5		5		
	11-6		6		
	11-35	13			
	11-98		6		
	11-99		7		
13	13-4			4	
	13-8		8		
	13-35	22			
	13-98		10		
15	15-5			5	
	15-15		14	1	
	15-18		18		
	15-19		19		
	15-35	37			
17	17-6		8	4	
	17-7				6
	17-8			8	
	17-26		26		
19	17-35	55			
	17-99		21	2	
	19-11			11	
	19-28		26	2	
	19-30		29	1	
	19-32		32		
	19-35	66			
	19-45	67			

Table II: Insert Arrangement

Shell Size Desig.	Insert Arr. Dash No.	Contact Size and Qty			
		22	20	16	12
21	21-35	79			
	21-11				11
	21-16			16	
	21-24		24		
	21-25		25		
	21-27		27		
	21-39		37	2	
	21-41		41		
23	23-35	100			
	23-2	85			
	23-21			21	
	23-32		32		
	23-34		34		
	23-36		36		
	23-53		53		
	23-55		55		
	23-97			16	
	23-99			11	
25	25-2	100			
	25-4		48	8	
	25-19				19
	25-24			12	12
	25-29			29	
	25-35	128			
	25-43		23	20	
	25-61		61		

B



FACE VIEW RECEPTACLE

Table III: Main and Alternate Keyway Positions

Shell Size Desig.	N°	A°	B°	C°	D°
9	95	77	-	-	113
11	95	81	67	123	109
13	95	75	63	127	115
15	95	74	61	129	116
17	95	77	65	125	113
19	95	77	65	125	113
21	95	77	65	125	113
23	95	80	69	121	110
25	95	69	69	121	110

Table IV: Capacitor Array Code Capacitance Range for Filtered Connectors

Class	Pi - Circuit (pF)	C - Circuit (pF)
X*	160,000 - 240,000	80,000 - 120,000
Y*	80,000 - 120,000	40,000 - 60,000
Z*	60,000 - 90,000	30,000 - 45,000
A	38,000 - 56,000	19,000 - 28,000
B	32,000 - 45,000	16,000 - 22,500
C	18,000 - 33,000	9,000 - 16,500
D	8,000 - 12,000	4,000 - 6,000
E	3,300 - 5,000	1,650 - 2,500
F	800 - 1,300	400 - 650
G	400 - 600	200 - 300
J	70-120	35-60

* Filter Classes X, Y and Z are 250 VDC. All others are 500 VDC

X-ON Electronics

Largest Supplier of Electrical and Electronic Components

Click to view similar products for [Circular MIL Spec Connector](#) category:

Click to view products by [Glenair](#) manufacturer:

Other Similar products are found below :

[89075GULPR](#) [0025-262-542](#) [0025-264-3014](#) [58-570121-04S](#) [0134-213-1208](#) [0134-213-2209](#) [0025-258-000](#) [60-042022-07P](#) [60-042022-19P](#)
[60-042022-23P](#) [60-042217-10P](#) [0114-201-1278](#) [012-0467-000](#) [602GB06EG24-61SN](#) [0134-201-1207](#) [0134-213-1006](#) [6104-207-2302](#) [6104-](#)
[208-1902](#) [61-168211-04P](#) [61-168617-10P](#) [6131-202-19149P](#) [6131-204-21149P](#) [6131-208-13149P](#) [6131-209-17149P](#) [6131-210-11149P](#) [6131-](#)
[211-19149P](#) [6131-216-19149P](#) [6131-259-21149P](#) [6131-259-23149P](#) [6131-265-17149P](#) [6131-265-19149P](#) [CS3100A18-1P-472](#) [CS3100A-36-](#)
[77P](#) [CS3101A-16-55P](#) [CS3102A-10SL-55P](#) [CS3102A-14S-58P](#) [CS3102A-32-17P](#) [CS3102A32-25S](#) [CS3102C18-4P-472](#)
[CS3106A10SL3S004](#) [CS3106A-18-73S](#) [CS3108A-14S-52S](#) [CS3108A-28-51S](#) [6162-233-1277](#) [6162-324-1231](#) [M243082296Z](#)
[M2884010AC1S1](#) [CT0-24-10SC](#) [CT0M20-7PCAU](#) [M28840/17AC1G3](#)