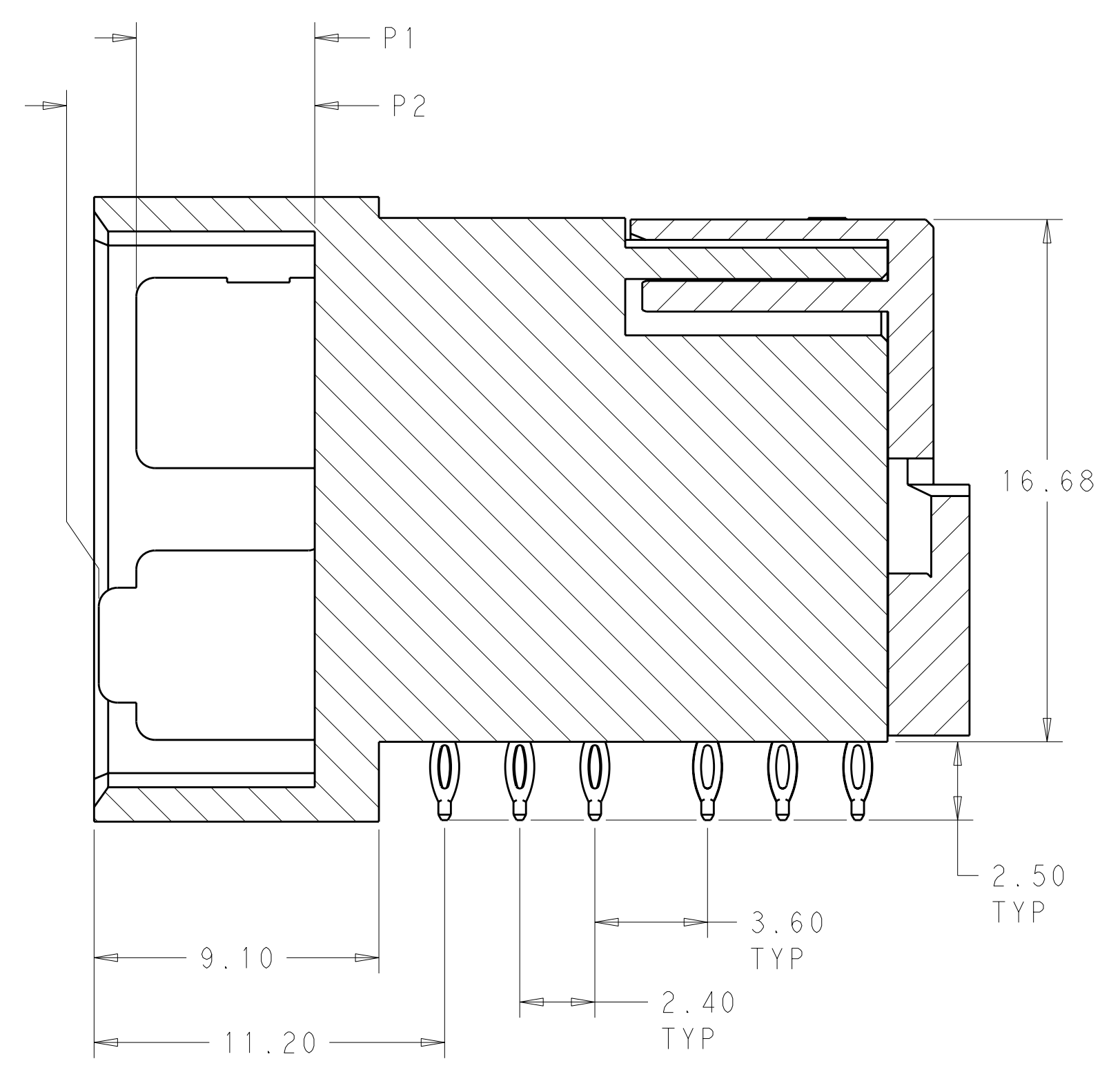
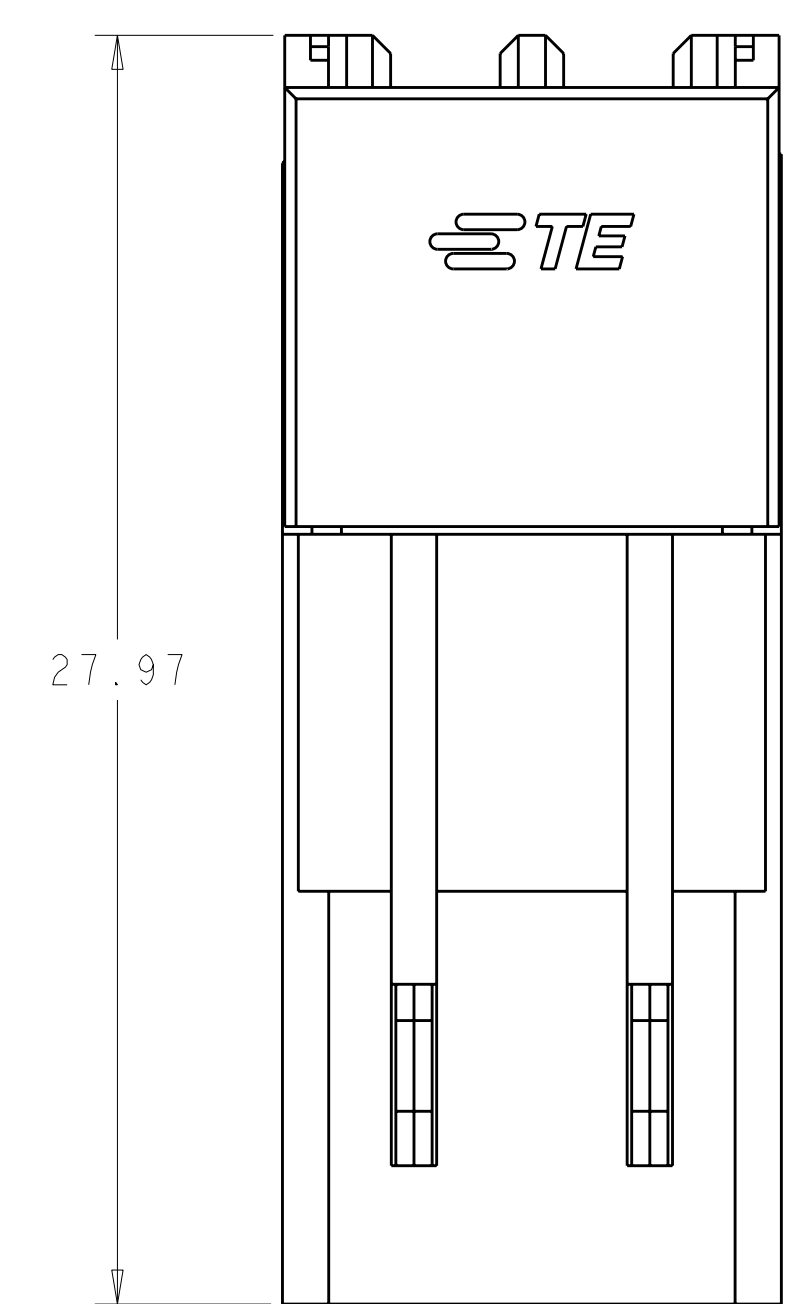
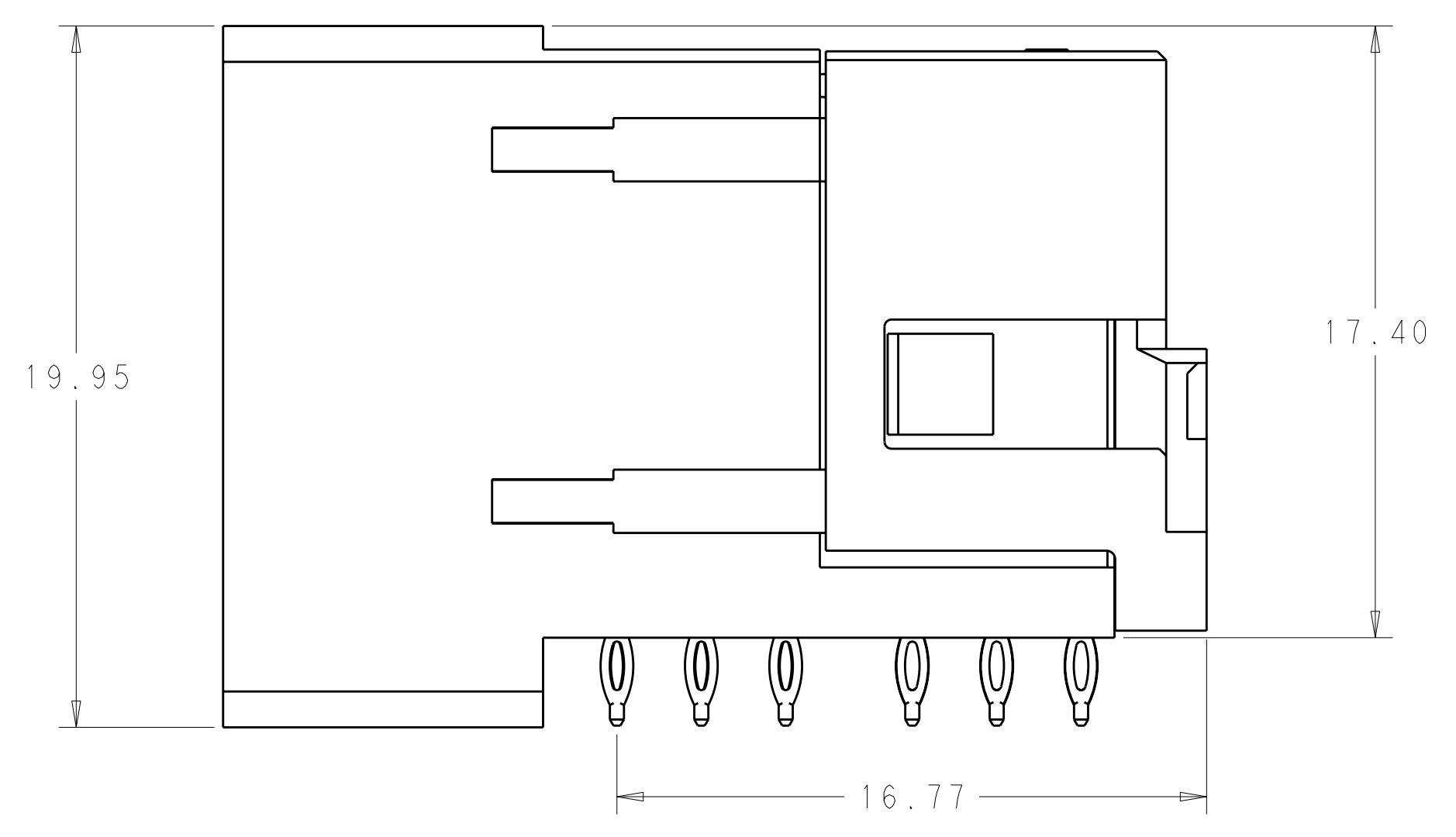
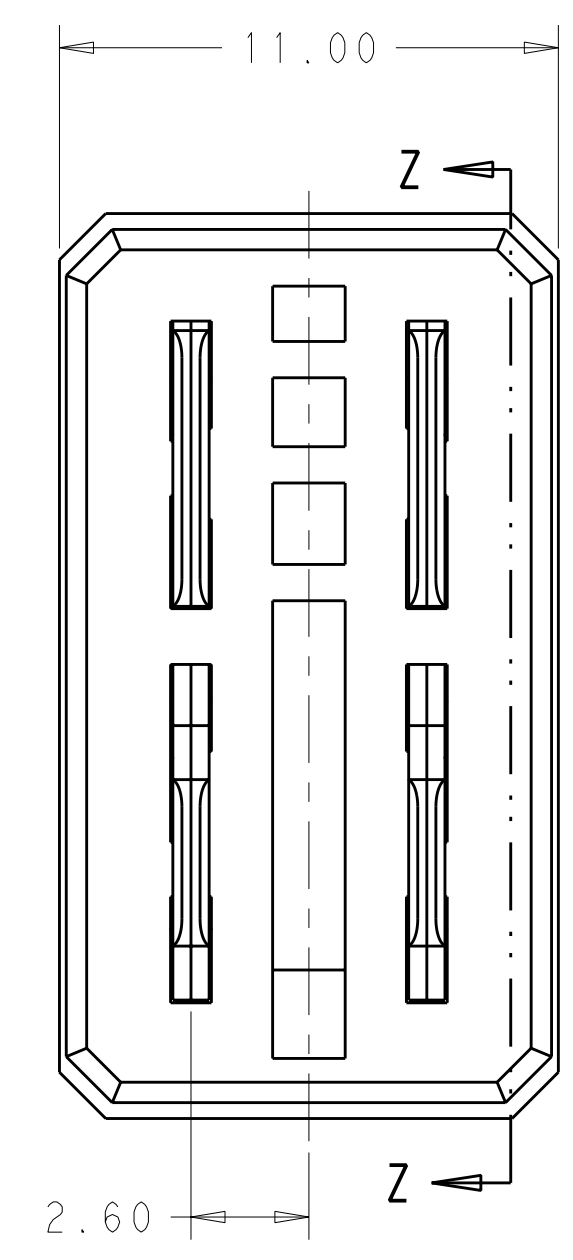


LOC	DIST	REVISIONS			
P	LTR	DESCRIPTION	DATE	DWN	APVD
A		INITIAL RELEASE	29FEB2012	LW	SZ
A1		ADD NOTE FOR GOLD THICKNESS	09APR2012	LW	CW
A2		REV PER ECR-12-010636	12JUN2012	LW	AC



SECTION Z-Z
SCALE 6:1



- NOTES:
- MATERIALS:
HOUSING: HIGH TEMP. THERMOPLASTIC GLASS/MINERAL FILLED UL94V-0
TERMINAL: COPPER ALLOY
 - FINISH:
TIN OPTION- 0.76um MINIMUM GOLD AT CONTACT AREA
2.54um MINIMUM NICKEL UNDERPLATED OVER ALL
TIN AT TAIL AREA
TIN-LEAD OPTION- 0.76um MINIMUM GOLD AT CONTACT AREA
2.54um MINIMUM NICKEL UNDERPLATED OVER ALL
TIN-LEAD AT TAIL AREA
 - PCB NOTE FOR DIAMETER 0.725MM PLATED HOLE.
-DRILLED HOLE SIZE IS 0.838MM
-PLATED WITH 0.007MM MIN. TIN OVER
0.03 TO 0.08MM COPPER UNDERPLATE TO ACHIEVE
0.725±0.075MM HOLE.
 - CONNECTOR WERE PACKED BY TRAY
 - REFER TO TE'S PRODUCT SPECIFICATION: 108-2473 FOR TORQUE FORCE AND RETENTION FORCE
 - MATED WITH 2169809-*
 - PART NUMBER AND DATE CODE AT ASSEMBLY AREA AS APPROXIMATE SHOWN.
ALSO CAN BE OPPOSITE SIDE
 - THERE ARE TWO TYPES OPTION ONE TYPE WITH DOVETAIL ANOTHER WITHOUT DOVETAIL
 - COMPONENT PLACEMENT ZONE

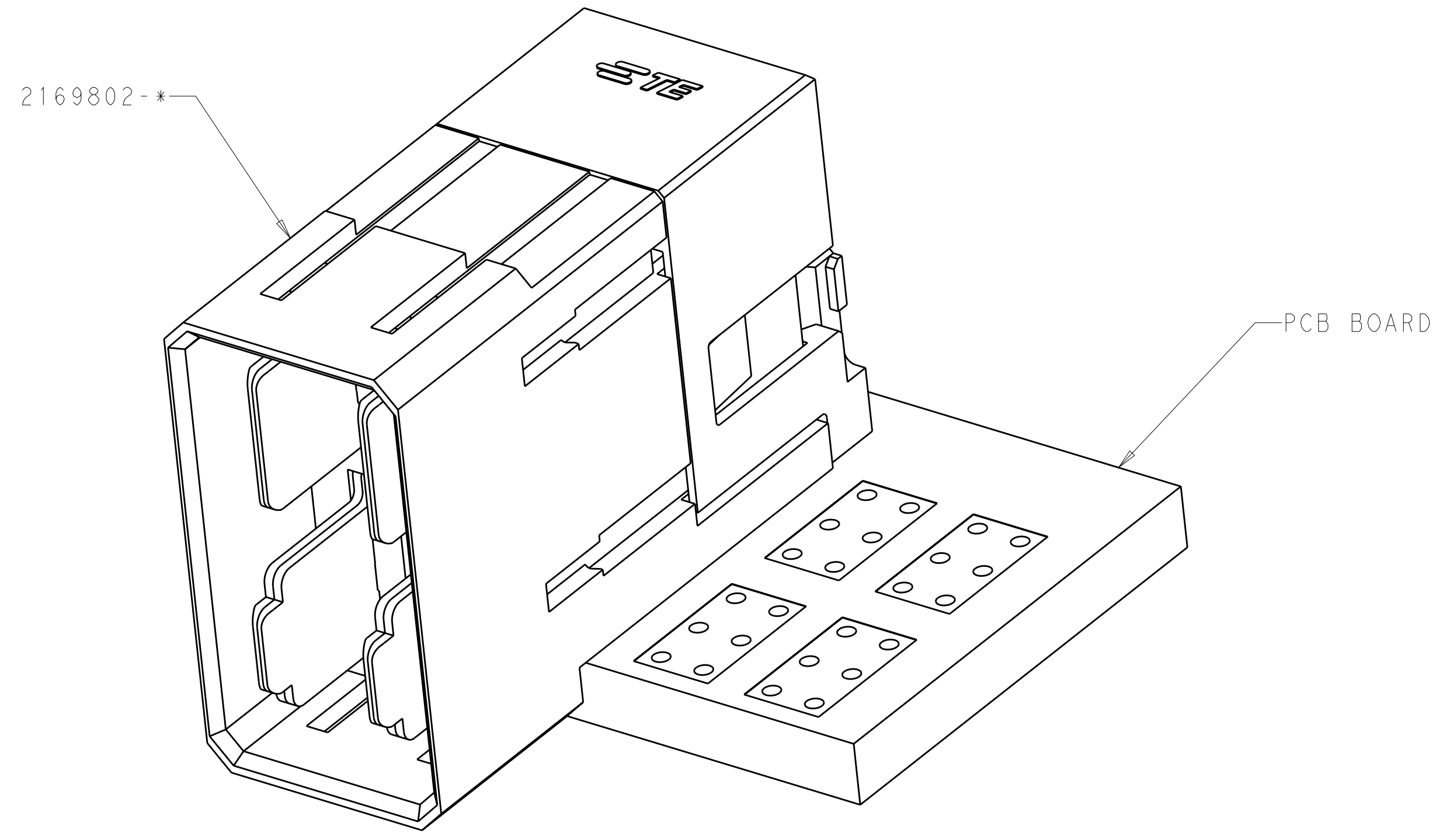
PACKAGEING	PLATING OPTION	TYPE	P1	P2	PART NUMBER
TRAY	TIN PLATING	NO DOVE TAIL	6.90	6.90	2169802-1
			5.70	5.70	2169802-2
		6.90	5.70	2169802-3	
		5.70	6.90	2169802-4	
	WITH DOVE TIAL	6.90	6.90	2169802-5	
		5.70	5.70	2169802-6	
		6.90	5.70	2169802-7	
		5.70	6.90	2169802-8	
OBSOLETE	NO DOVE TAIL	6.90	6.90	5-2169802-1	
		5.70	5.70	5-2169802-2	
		6.90	5.70	5-2169802-3	
		5.70	6.90	5-2169802-4	
	TIN-LEAD PLATING	6.90	6.90	5-2169802-5	
		5.70	5.70	5-2169802-6	
		6.90	5.70	5-2169802-7	
		5.70	6.90	5-2169802-8	

THIS IS SUBJECT TO CHANGE WITHOUT NOTICE FROM THE INFORMATION CONTAINED HEREIN. DIMENSIONS SHALL BE CONTACTED FOR THE LATEST REVISION.

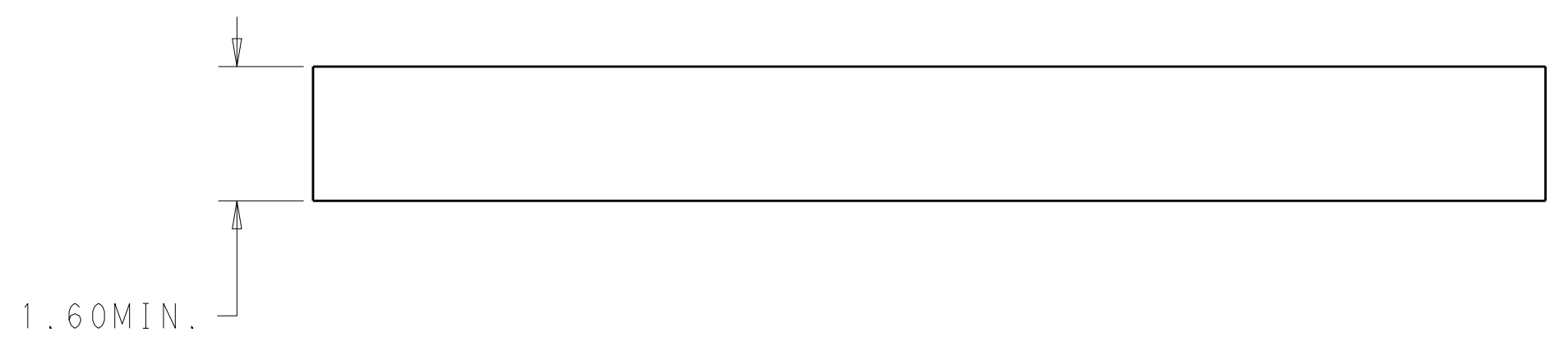
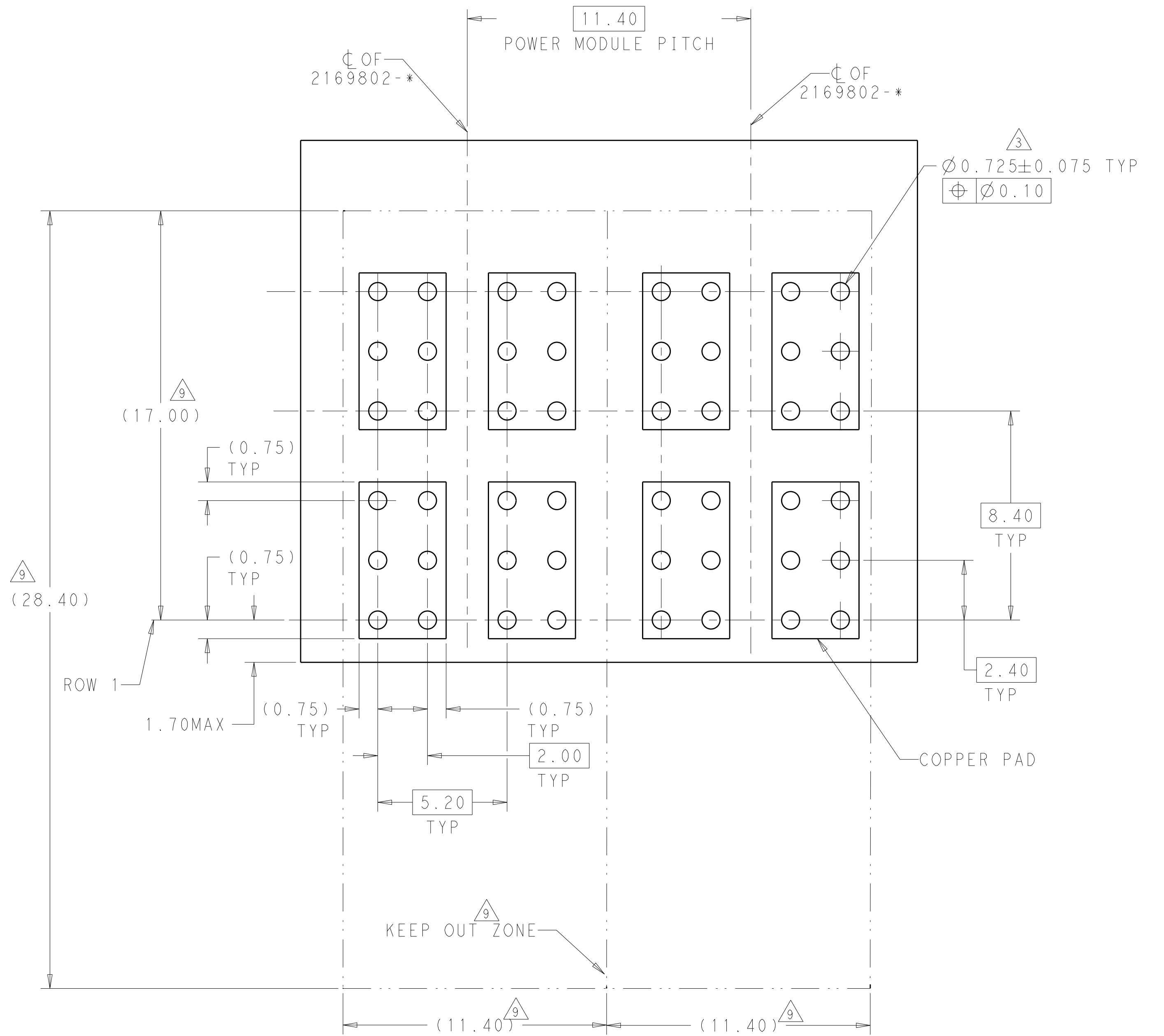
DIMENSIONS:	TOLERANCES UNLESS OTHERWISE SPECIFIED:	DWN	LERRY WANG	05MAY2011
mm	0 PLC ±.1	CHK	SUNY ZHAO	05MAY2011
	1 PLC ±.25	APVD	SUNY ZHAO	05MAY2011
	2 PLC ±.5	NAME		
	3 PLC ±.75	PRODUCT SPEC		
	4 PLC ±.1	108-2473		
	ANGLES ±.1°	APPLICATION SPEC		
MATERIAL	FINISH	WEIGHT	114-32028	SIZE CAGE CODE DRAWING NO
	2			A1 00779 C=2169802
CUSTOMER DRAWING		SCALE	6:1	SHEET 1 OF 2

STE ASSEMBLY IMPACT POWER 4PAIR R/A HEADER PRESS-FIT

LOC	DIST	REV	DATE	BY	APPD
-	-	1	SEE SHEET 1	-	-



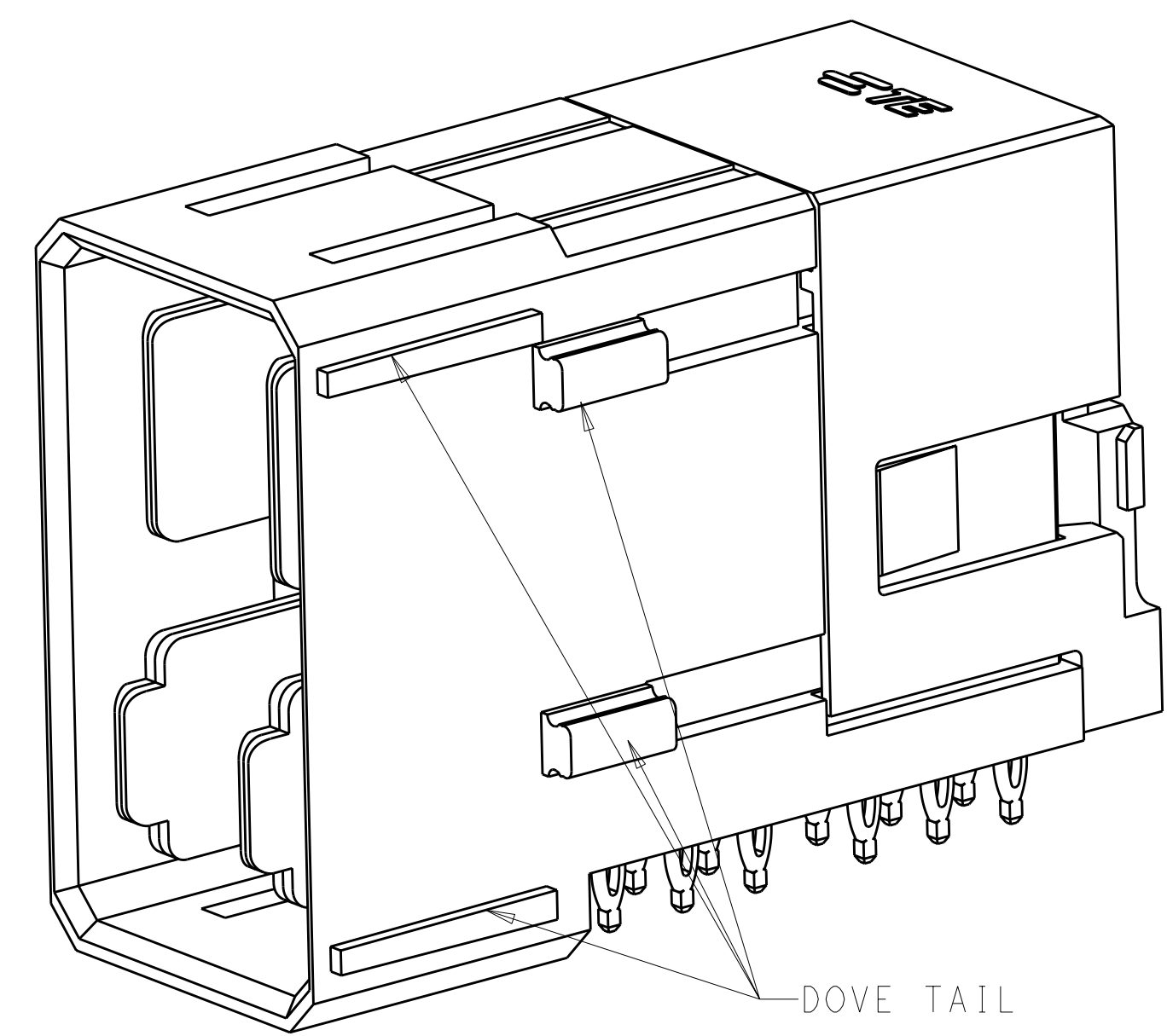
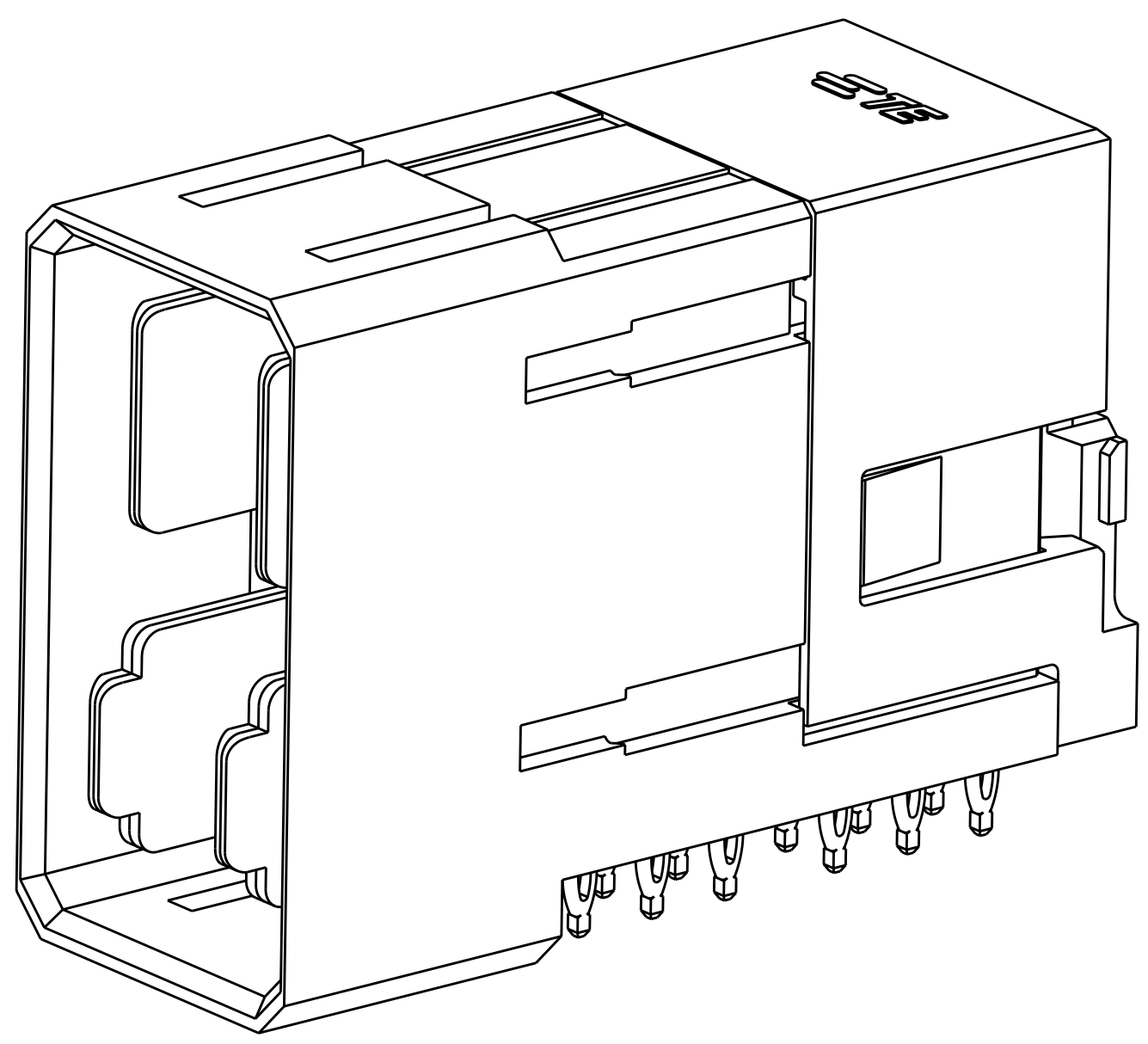
CONNECTOR MATED WITH PCB



PCB LAYOUT FOR 4PAIR R/A HEADER POWER MODULE
(COMPONENT SIDE SHOWN)

NO DOVETAILED $\triangle 8$

WITH DOVETAILED $\triangle 8$



DIMENSIONS: mm 		TOLERANCES UNLESS OTHERWISE SPECIFIED: 9 PLC ±.1 1 PLC ±.05 3 PLC ±.025 4 PLC ±.05 ANGLES ±.5°		DWN LERRY WANG 05MAY2011 CHK SUNY ZHAO 05MAY2011 APVD SUNY ZHAO 05MAY2011 NAME PRODUCT SPEC 108-2473 APPLICATION SPEC 114-32028 WEIGHT CUSTOMER DRAWING		REVISIONS DATE DWN APPD	
MATERIAL FINISH		SIZE CAGE CODE DRAWING NO A1 00779 C-2169802		RESTRICTED TO SCALE 6:1 SHEET 2 OF 2 REV A2		ASSEMBLY IMPACT POWER 4PAIR R/A HEADER PRESS-FIT	

X-ON Electronics

Largest Supplier of Electrical and Electronic Components

Click to view similar products for [High Speed/Modular Connectors](#) category:

Click to view products by [TE Connectivity](#) manufacturer:

Other Similar products are found below :

[2332816-1](#) [89006-1137LF](#) [650827-1](#) [65762-001LF](#) [73474-201LF](#) [74040-1346](#) [74075-0267](#) [88911-201LF](#) [9514M0C20D](#) [1410191-1](#)
[1410337-1](#) [1410368-3](#) [1410964-2](#) [1410326-3](#) [1410367-3](#) [1410971-4](#) [1467833-1](#) [2000877-1](#) [2000878-1](#) [2041314-1](#) [2065387-1](#) [2187307-1](#)
[2187462-1](#) [2226278-6](#) [KA81-07](#) [91290-101LF](#) [1934290-1](#) [2000875-1](#) [2065917-1](#) [2102736-2](#) [FSR-40](#) [2169868-2](#) [2226279-2](#) [22354-8](#) [437-](#)
[5040-000](#) [5-1393565-0](#) [532449-3](#) [532803-2](#) [34745-0001](#) [0740618502](#) [0760151403](#) [0760551105](#) [0760551608](#) [0761451128](#) [0761651124](#)
[0761655108](#) [0761659807](#) [0769853208](#) [0736440217](#) [0758324203](#)