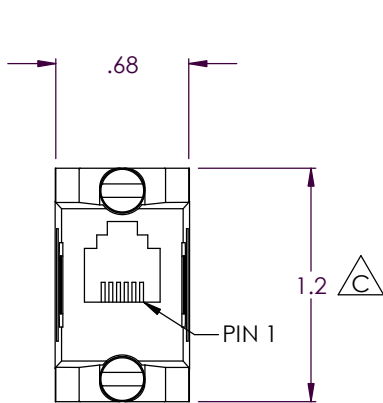
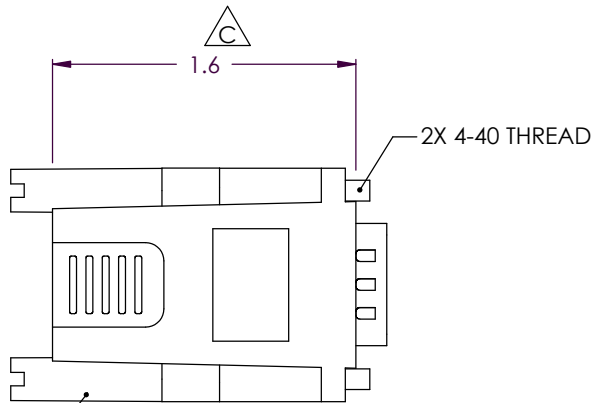


THE INFORMATION CONTAINED IN THIS DRAWING IS THE SOLE PROPERTY OF L-COM, INC. ANY REPRODUCTION IN PART OR WHOLE WITHOUT THE WRITTEN PERMISSION OF L-COM, INC. IS PROHIBITED.

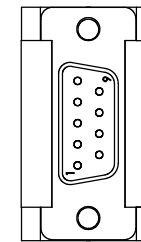
REVISIONS			
REV	DESCRIPTION	DATE	APPROVED
A	RELEASED FOR PRODUCTION	12/14/01	TJC
B	ECN1509: ADDED PRODUCT VALIDATION	9/19/03	DFP
C	ECN1879: UPDATE DIMENSIONS 1.2 WAS 1.21; 1.6 WAS 1.58	10/7/04	DFP



RJ12 JACK
(6 X 6)



KNURLED PLASTIC



MALE 9-POSITION
CRIMP & POKE
D-SUB CONNECTOR

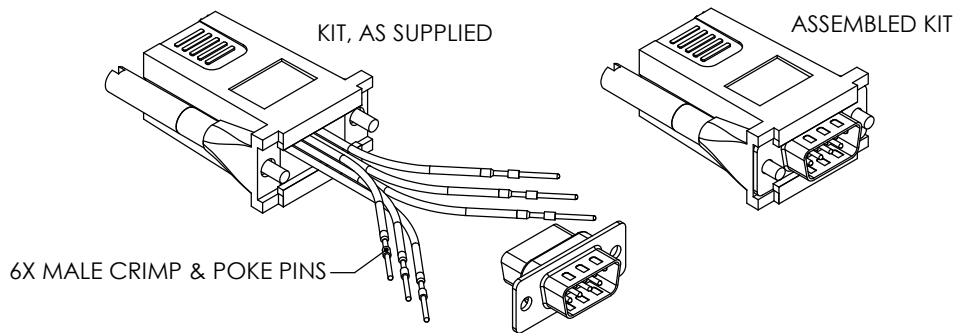
WIRING TABLE	
RJ12	LEAD COLOR
1	WHITE OR GRAY
2	BLACK
3	RED
4	GREEN
5	YELLOW
6	BLUE

SPECIFICATIONS
MOLDED PARTS ARE UL94V-0 RATED

MATERIAL:
HOUSING: MOLDED ABS
COLOR: DARK GRAY

D-SUB
INSULATOR: UL94V-0 THERMOPLASTIC
CONTACTS: GOLD PLATED
SHELL: TIN FINISH

RJ45
CONTACTS: GOLD PLATED, 50 μINCHES



6X MALE CRIMP & POKE PINS

NOTES:

- ADAPTOR KIT PROGRAMMED AS NEEDED BY INSERTING AND SEATING EACH PIN INTO DESIRED POSITION IN D-SUB CONNECTOR.

UNLESS OTHERWISE SPECIFIED,
DIMENSIONS ARE IN INCHES
TOLERANCES ARE:
.X ±.1
.XX ±.05
.XXX ±.005
CABLE LENGTH TOLERANCE
<300" ±5% >300" ±2%

APPROVALS	DATE
DRAWN BY TJC	12/14/01
CHECKED BY DFP	12/14/01
APPROVED BY CM	12/14/01

CONFIGURATION DETAILS OF
UNDIMENSIONED FEATURES
MAY VARY

L-com CONNECTIVITY PRODUCTS		45 BEECHWOOD DRIVE NORTH ANDOVER, MA 01845	
PRODUCT DESCRIPTION DB9M TO RJ12 MODULAR ADAPTOR			
DRAWING TITLE OUTLINE DRAWING			
SIZE A	FSCM NO. 43321	DWG. NO. REC096M-OD1	REV. C
SCALE: NONE		CAD FILE: REC096M-OD1.SLDDRW	SHEET 1 OF 1

X-ON Electronics

Largest Supplier of Electrical and Electronic Components

Click to view similar products for [l-com manufacturer](#):

Other Similar products are found below :

[FOA-550A](#) [SDRA15AG](#) [UMC-201](#) [CSMN50MF-5](#) [CSMNB15MF-15](#) [TRD815RA2BL-5](#) [CA3N050](#) [CA3A-90DA-1M](#) [U3A00003-03M](#)
[CTLF3VGAMM-20](#) [HDCAMM-3](#) [U3A00014-03M](#) [ECF-SK-25](#) [CSMT15MF-10](#) [CSMT15MM-15](#) [CSMT15MM-25](#) [CSPL15MF-50](#)
[CSPL25MF-25](#) [CSPL9MF-10](#) [CSPL9MF-5](#) [CSPL25MF-5](#) [CSPL25MF-2.5](#) [AL-IPEPS](#) [NB201611-10F-1](#) [TDG1026KC5-MNL](#) [NB121005-](#)
[10F](#) [TRD855SRA6DBL-05M](#) [TRD855SRA6DBL-10M](#) [TRD855SRA7DBL-1M](#) [TRD855SRA7DBL-10M](#) [PR175SCDLCQ24](#) [TRG508-T4T-](#)
[3M](#) [TRA5261-15F](#) [TRA5261S-1F](#) [TRA6261-1F](#) [TRA6261-10F](#) [USBBFT](#) [DGB25M](#) [UJ5T568S](#) [CASATAL-18](#) [CSM25MM-10](#) [CSM37MF-](#)
[10](#) [CSUSB-100](#) [CA3A-90RA-1M](#) [CA3A-90RMICB-1M](#) [U2A00003-3M](#) [U3A00003-05M](#) [U2A00008-12I](#) [U3A00056-03M](#) [U3A00007-075M](#)