



Visual Signals - Industrial LED ECO BEACONS

Industrial LED ECO Beacons > LEDD & LEDA 100 Series

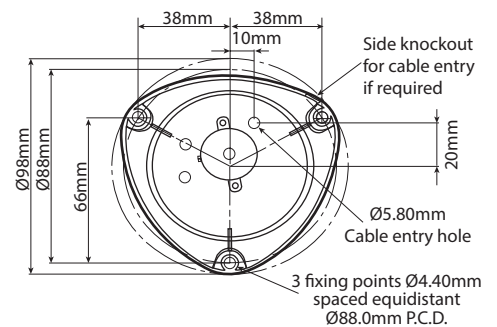
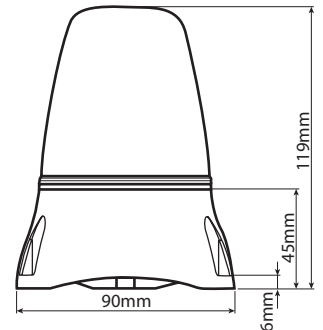
Product overview

The LEDD & LEDA 100 economy series are suitable for light commercial & industrial signalling applications where local indication is required. These beacons have two selectable stages of alarm, flashing or continuous (static) mode, selectable by a jumper link on the PCB. The design also allows for a third wire connection giving flexibility to switch from a pre-set static mode to flashing.

The LED ECO range has been designed predominantly to offer a cost effective solution against more traditional

incandescent types of lamps, whether through new plant and machinery installations or existing facility upgrades. The design allows for termination inside the enclosure through the base of the beacon enclosure.

The LEDA version incorporates one piezo buzzer situated in the base of the unit that is synchronised to the flash rate (the buzzer cannot be controlled independently of the light) offering a combined audible & visual warning signal.



LEDD & LEDA 100 Series > Ordering Information

Code No:	Voltage:	Light Source:	Current:
LEDD100-01	8-20v Ac/Dc ~	8 SMT LEDs	430mA •
LEDD100-02	20-30v Ac/Dc ~	8 SMT LEDs	110mA ••
LEDD100-03	48v Ac ~	8 SMT LEDs	tba
LEDD100-05	40-380v Dc --- 85-280v Ac ~	8 SMT LEDs	35mA •••
LEDA100-01	8-20v Ac/Dc ~	8 SMT LEDs	430mA •
LEDA100-02	20-30v Ac ~	8 SMT LEDs	110mA ••
LEDA100-03	48v Ac ~	8 SMT LEDs	tba
LEDA100-05	40-380v Dc --- 85-280v Ac ~	8 SMT LEDs	35mA •••

• at 12v Dc •• at 24v Dc ••• at 230v Ac

ADD THE FOLLOWING LENS CODES TO THE PRODUCT WHEN ORDERING **01** **02** **04**

Features

- Continuously rated
- LED long life
- Low current consumption
- Suitable for surface or wall mounting
- Optional wall bracket & guard available - see accessories
- 3 point fix
- 360° light output around the vertical axis
- Dustproof and Weatherproof

Material

UV Stable Polycarbonate Lens
UV Stable ABS Plastic Base

Kg 0.14

50/60 **Hz**

°C -25+55

IP 65

FPM 160

dB 80

APPROVALS and
CONFORMITIES



X-ON Electronics

Largest Supplier of Electrical and Electronic Components

Click to view similar products for [LED Panel Mount Indicators](#) category:

Click to view products by [Moflash Signalling](#) manufacturer:

Other Similar products are found below :

[607-1312-310F](#) [607-3232-140F](#) [6091M1-24V](#) [6091M5-24V](#) [6091M7-24V](#) [821-0331-503](#) [FL2870C8R](#) [FL2950WL7B](#) [FL589WL8R](#)
[Q6P3BXXB12E](#) [H8630FBBA3](#) [MPC5ADW6.0](#) [DX1091GN](#) [NL177WL3G](#) [NL276C3G](#) [NL2950BWL3G](#) [NL2950CWL2R](#) [NL589WL2R](#)
[NL67C3G](#) [NL67C3R](#) [2191L1-12V](#) [PB22SIOL0RG](#) [PB22SPPM41R](#) [PB22SPPM61R](#) [LE177C5B](#) [LH1048BSWL3702](#) [LH1048BWL3702](#)
[LH382A](#) [LHM62B](#) [SSI-LXH387USBD-150](#) [SSI-LXH9ZIC40587](#) [SSP-LXS110818BA](#) [FL2950BWL7R](#) [FL2950WL7R](#) [FL2951WL8G](#)
[FL2951WL8R](#) [FL589C7R](#) [FL67C7R](#) [FL67WL8G](#) [2191QU7-24V](#) [2191U1-12V](#) [2191U5-12V](#) [2191U5-6V](#) [2191U7-12V](#) [249-4167-3734-504F](#) [Q6P5BXXG02E](#) [3990A7](#) [5110F3-12V](#) [MPC5BCW18.0](#) [556-1237-801F](#)