



CG3 Series Gas Plasma Arrester

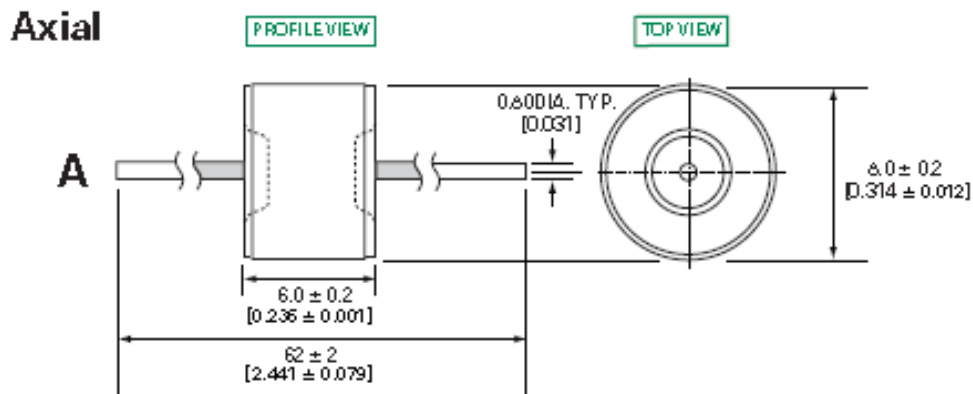


Part number: CG3-2.5L-10TR

Electrical Characteristics

Items	Range	Unit
DC spark over voltage	2300~3000	V
Max impulse spark over voltage @100V/us	3200	V
Max impulse spark over voltage @1kV/us	3500	V
Service life: 10 operations @8/20us	5	KA
Service life: 1 operation @8/20us	10	KA
Max follow-on current	200	A
Insulation Resistance @100Vdc	>1	GΩ
Capacitance @ 1MHz, 0 Volts bias	<1.5	Pf
Arc voltage @ 1A	~15	V
Glow to arc transition current	~1	A
Glow voltage	~140	V
Operation and storage temperature	-40~+90	°C

Device Dimensions



Packing information

The device is packed in tape and reel with 1000pcs/reel.

Note: 1. For any other information, please refer to web datasheet for CG32.5.

X-ON Electronics

Largest Supplier of Electrical and Electronic Components

Click to view similar products for [Gas Discharge Tubes - GDTs / Gas Plasma Arrestors](#) *category:*

Click to view products by [Littelfuse](#) *manufacturer:*

Other Similar products are found below :

[M51-A90X](#) [PMT1023004](#) [PMT1040004](#) [CG2800](#) [GTCR37-231M-R10](#) [WPGT-2N145B6L](#) [WPGT-2N230B6L](#) [WPGT-2N470B6L](#) [WPGT-2RM230A6L](#) [WPGT-2RM350A6L](#) [WPGT-2RM70A6L](#) [WPGT-2RM90A6L](#) [WPGT-2S145](#) [WPGT-2S350](#) [WPGT-2S470](#) [WPGT-3R350CF](#) [WPGT-3R350G1](#) [WPGT-3R90G1](#) [WPGT-3R75G1](#) [WPGT-3R470G1](#) [WPGT-3R250C](#) [WPGT-3R230G1](#) [WPGT-2S230](#) [WPGT-2RM145A6L](#) [WPGT-2R1000B8L](#) [WPGT-2N70B6L](#) [WPGT-2N350B6L](#) [WPGT-2N230B6L1](#) [CG2145](#) [T61-C350X](#) [9071.99.0547 \(73_Z-0-0-547\)](#) [B88069X6940B152](#) [RF1219-000](#) [A9L16618](#) [RF2339-000](#) [9071.99.0052\(73_Z-0-0-52\)](#) [9071.99.0054](#) [CG32.7L](#) [CG6400SM](#) [CG6470SM](#) [CG7250MS](#) [CG7400MS](#) [SPBT12-280/1](#) [SPCT2-280/3](#) [SPCT2-280/4](#) [T2 20KA 4P](#) [2003-09-SM-RPLF](#) [2026-07-A1](#) [2026-25-C3](#) [2039-80-BLF](#)