



fiber-optic sensors
WLL180T, Fiber-optic photoelectric sensor

WLL180T-P434



Model Name > [WLL180T-P434](#)
Part No. > [6039095](#)



At a glance

- Selectable response time up to 16 μ s
- Sensing range up to 20 m, sensing distance up to 1400 mm
- Bus-compatible with anti-interference
- 2 x 4-digit display
- Adjustable hysteresis
- Rotatable display screen
- High-resolution signal processing
- Programmable time delays

Your benefits

- Reliable, rapid process detection, even under the most difficult ambient conditions, such as dust, spray or mist
- Easy commissioning and product changeover due to external teach-in
- Cross-talk is eliminated when utilizing bus configuration option
- Quick, easy setup and adjustment due to an intuitive operating menu
- Flexible parameter adjustment due to high-resolution signal processing. Hysteresis and time delays can be adapted to suit the application, e.g., when detecting tiny or transparent objects
- Easy-to-read display, even under difficult installation conditions



Features

Device type:	Stand-alone
Dimensions (W x H x D):	10.5 mm x 34.6 mm x 71.9 mm
Sensing range max.:::	0 m ... 20 m, through-beam system ^{1) 2)}
Sensing range:::	0,5) 1,6) m, through-beam system, 0 mm ... 1,400 mm, proximity system ³⁾
Light source:	LED ⁷⁾
Type of light:	Visible red light
Wave length:	650 nm
Sensitivity adjustment:	Teach-in button cable +/- increment button, manual
Adjustment of operating distance:	Cable, +/- increment button, manual, Teach-in button
Teach-in:	Menu-controlled
Time type:	Without time delay time delay off switch on delay ON and OFF delay one shot

Delay time:	Programmable: 0 ... 9,999 ms
Indication:	Display
Sensor/detection principle:	Fiber-optic photoelectric sensor
Housing design (light emission):	Rectangular
Display:	LED status display / 2x 4-character digital dual displays, Set value (green indicator) and actual value (red indicator) are displayed simultaneously, display of parameters

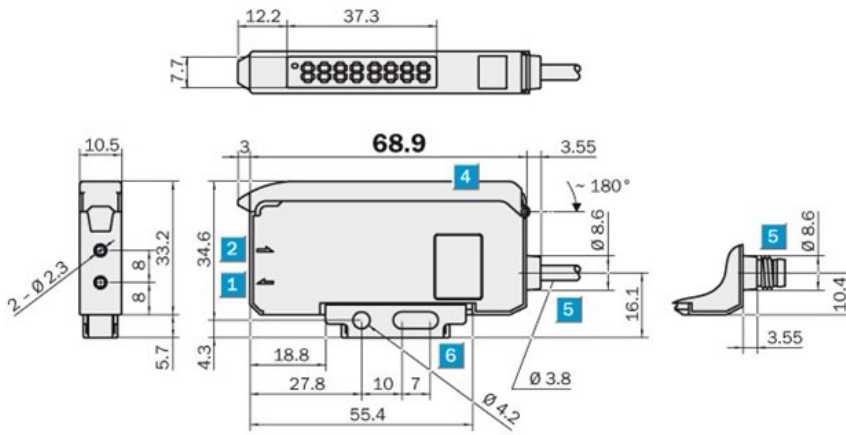
1) 5) Sensing range with 8 ms response time. Scanning range reduction with shorter response time (see tables LL3/WLL180T) 2) 6) LL3-TX01 3) Objects to be sensed with 90% reflectivity (based on DIN 5033 white standard). sensing distance with 8 ms response time. sensing distance reduction with shorter response time (see tables LL3/WLL180T) 4) LL3-DK06 7) Average service life 100,000 h at Ta = +25 °C

Mechanics/electronics

Enclosure rating:	IP 50 ¹⁾
Supply voltage:	12 V DC ... 24 V DC ²⁾
Ripple:	≤ 10 % ³⁾
Power consumption:	≤ 50 mA ⁴⁾
Switching output:	PNP, Light/dark-switching, manually selectable, open collector
Output current I _{max.} :	≤ 100 mA
Response time:	≤ 2 ms ≤ 8 ms ≤ 16 μs ≤ 70 μs ⁵⁾ ≤ 250 μs
Switching frequency:	31.2 kHz 7.1 kHz 2 kHz 250 Hz 62.5 Hz
Connection type:	Connector M8, 4-pin
Protection class:	III
Circuit protection:::	A, B, C, D ^{6) 7) 8) 9)}
Special device:	0
Housing material:	ABS/PC
Ambient operating temperature:	-25 °C ... 55 °C
Ambient storage temperature:	-40 °C ... 70 °C
Angle of dispersion:	Ca. 65 ° ¹⁰⁾

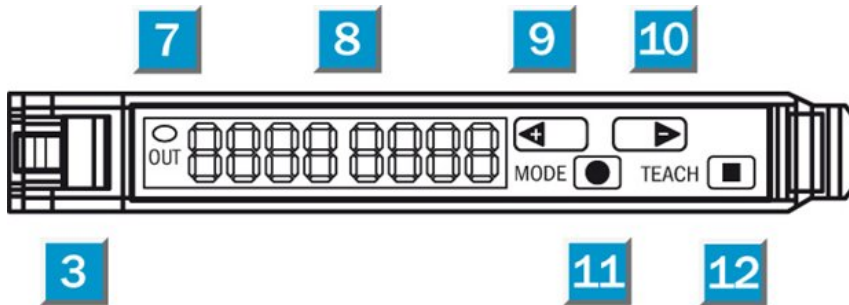
1) With correctly attached fibre-optic cable LL3 and closed protection hood 2) +/- 10% 3) May not exceed or fall short of V_S 4) Without load 5) Selectable 6) A = V_S connections reverse-polarity protected 7) B = inputs and output reverse-polarity protected 8) C = interference suppression 9) D = outputs overcurrent and short-circuit protected 10) See LL3 fiber-optic data

Dimensional drawing



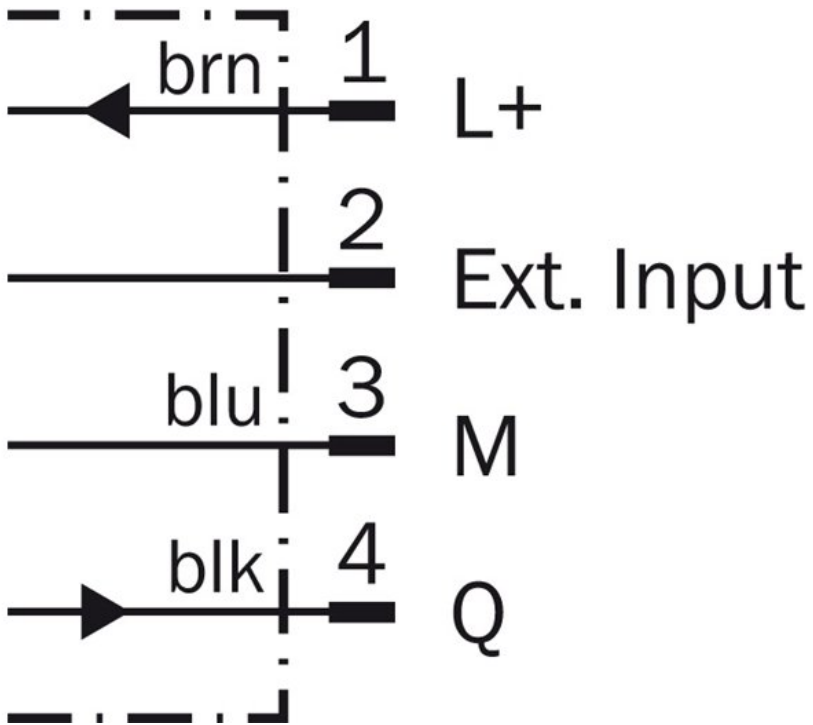
- [1] Sender LED, installation of LL3 fibre-optic cable (sender fibre)
- [2] Receiver, installation of LL3 fibre optic cable (receiver fibre)
- [3] Locking the fiber-optic cables
- [4] Protective hood, can be raised at both ends
- [5] Connection
- [6] Mounting bracket, included

Adjustments possible

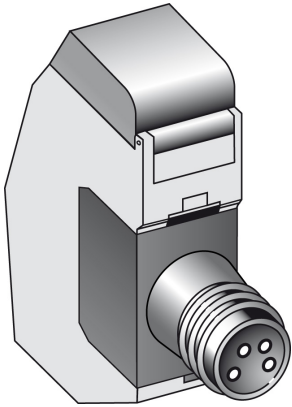


- [3] Locking the fiber-optic cables
- [7] LED indicator orange, lights up when switching output is active
- [8] Numeric display 2 x 4-digit; green: switching threshold, operating mode; red: actual value, Teach-in and function parameter
- [9] Step-button > (manual switching threshold: higher; or next function parameter)
- [10] Step-button < (manual switching threshold: lower; or previous function parameter)
- [11] Mode/Enter-button
- [12] "Teach-in" push button

Connection diagram



Connection type



Australia

Phone +61 3 9457 0600
1800 334 802 – tollfree
E-Mail sales@sick.com.au

Belgium/Luxembourg

Phone +32 (0)2 466 55 66
E-Mail info@sick.be

Brasil

Phone +55 11 3215-4900
E-Mail sac@sick.com.br

Canada

Phone +1(952) 941-6780
1 800-325-7425 – tollfree
E-Mail info@sickusa.com

Ceská Republika

Phone +420 2 57 91 18 50
E-Mail sick@sick.cz

China

Phone +86 4000 121 000
E-Mail info.china@sick.net.cn
Phone +852-2153 6300
E-Mail ghk@sick.com.hk

Danmark

Phone +45 45 82 64 00
E-Mail sick@sick.dk

Deutschland

Phone +49 211 5301-301
E-Mail kundenservice@sick.de

España

Phone +34 93 480 31 00
E-Mail info@sick.es

France

Phone +33 1 64 62 35 00
E-Mail info@sick.fr

Great Britain

Phone +44 (0)1727 831121
E-Mail info@sick.co.uk

India

Phone +91-22-4033 8333
E-Mail info@sick-india.com

Israel

Phone +972-4-6801000
E-Mail info@sick-sensors.com

Italia

Phone +39 02 27 43 41
E-Mail info@sick.it

Japan

Phone +81 (0)3 3358 1341
E-Mail support@sick.jp

Magyarország

Phone +36 1 371 2680
E-Mail office@sick.hu

Nederlands

Phone +31 (0)30 229 25 44
E-Mail info@sick.nl

Norge

Phone +47 67 81 50 00
E-Mail austefjord@sick.no

Österreich

Phone +43 (0)22 36 62 28 8-0
E-Mail office@sick.at

Polska

Phone +48 22 837 40 50
E-Mail info@sick.pl

România

Phone +40 356 171 120
E-Mail office@sick.ro

Russia

Phone +7-495-775-05-30
E-Mail info@sick.ru

Schweiz

Phone +41 41 619 29 39
E-Mail contact@sick.ch

Singapore

Phone +65 6744 3732
E-Mail admin@sicksgp.com.sg

Slovenija

Phone +386 (0)1-47 69 990
E-Mail office@sick.si

South Africa

Phone +27 11 472 3733
E-Mail info@sickautomation.co.za

South Korea

Phone +82 2 786 6321/4
E-Mail info@sickkorea.net

Suomi

Phone +358-9-25 15 800
E-Mail sick@sick.fi

Sverige

Phone +46 10 110 10 00
E-Mail info@sick.se

Taiwan

Phone +886-2-2375-6288
E-Mail sales@sick.com.tw

Türkiye

Phone +90 (216) 528 50 00
E-Mail info@sick.com.tr

United Arab Emirates

Phone +971 (0) 4 8865 878
E-Mail info@sick.ae

USA/México

Phone +1(952) 941-6780
1 800-325-7425 – tollfree
E-Mail info@sickusa.com

More representatives and agencies
at www.sick.com

X-ON Electronics

Largest Supplier of Electrical and Electronic Components

Click to view similar products for [Photoelectric Sensors](#) category:

Click to view products by [Sick](#) manufacturer:

Other Similar products are found below :

[E3JM-DS70R4T-US](#) [E3L2DC4](#) [E3RA-DN12 2M](#) [E3RA-DP12 2M](#) [E3S5LE4S](#) [E3S-AD38](#) [E3S-CR11 5M](#) [E3SCT11D5M](#) [E3SCT11M1J03M](#)
[E3T-SL14R](#) [E3T-SL24 5M](#) [E3T-ST12R](#) [E3X-CN02](#) [E3X-CN11 5M](#) [E3X-CN21 10M](#) [E3ZM-B66](#) [E3ZM-CL81H 2M](#) [E3Z-T62 2M](#)
[NJL5303R-TE1](#) [PB10CNT15PO](#) [PD60CNX20BP](#) [CX-491-P-J](#) [CX-491-Z](#) [XUM2BKCNL2T](#) [XUM2BKCNL2T](#) [XUM2BNANL2R](#) [Y92E-](#)
[ES30M](#) [Y92E-GS08SS](#) [ZXTDS04T](#) [ZX-XC4A 4M](#) [E3E23Y2US](#) [E3JM-DS70S4-US](#) [E3RA-RN11 2M](#) [E3S5LE42M](#) [E3S-LS20XB4 5M](#)
[E3TFD14N](#) [E3T-FD14R](#) [E3T-SL21 5M](#) [E3T-SL21M](#) [E3T-ST11R](#) [E3T-ST12 5M](#) [E3X-DA41-S-M1J 0.3M](#) [E3X-DAB6](#) [E3X-DAG8](#) [E3ZM-](#)
[B86](#) [E3ZM-CR81 2M](#) [E3ZM-CR86](#) [E3Z-T61A-L 2M](#) [ZX-XGC2R](#) [ZX-XB1A](#)