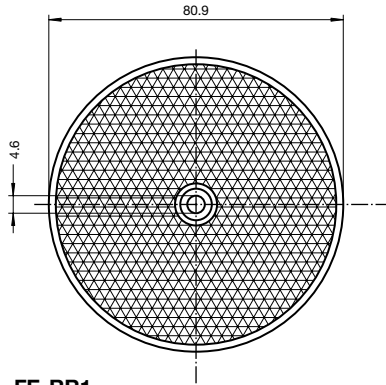


Dimensions in mm

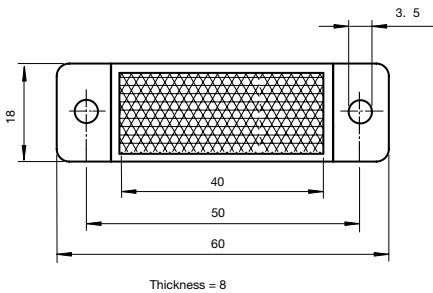
Reflectors

- Polarized retro-reflective sensors must use corner-cube reflectors.
- Micro-structure, corner-cube reflectors are used with laser retro-reflective sensors with short sensing distances.

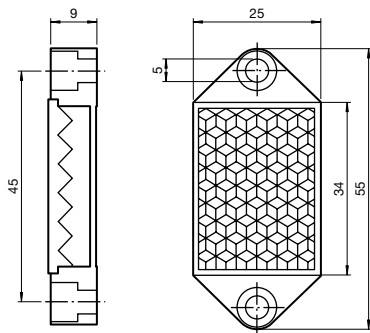
Thru-hole



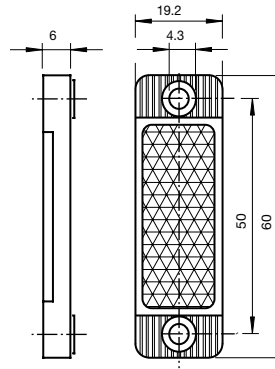
FE-RR1
Round, corner-cube reflector
Temperature range -4 °F to +150 °F



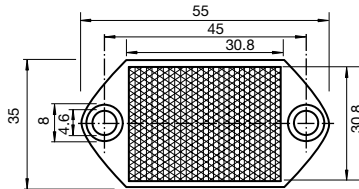
Reflector H160
Rectangular, corner-cube reflector
Temperature range -4 °F to +185 °F



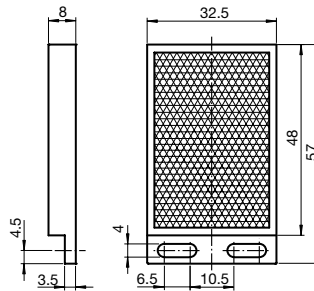
Reflector H32
Rectangular, corner-cube reflector
Temperature range -4 °F to +150 °F



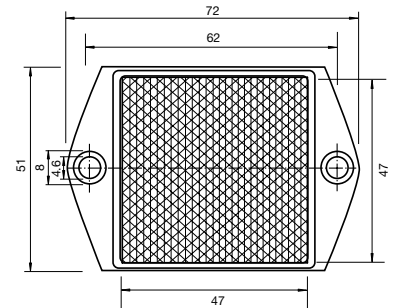
Reflector VR10
Rectangular, corner-cube reflector
Temperature range -4 °F to +140 °F



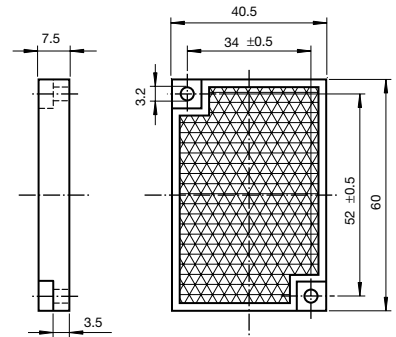
FE-RR15
Rectangular, corner-cube reflector
Temperature range -4 °F to +140 °F



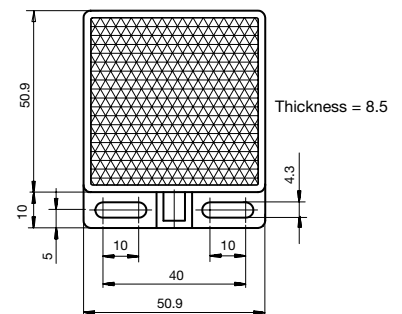
Reflector H48
Rectangular, corner-cube reflector
Temperature range -4 °F to +185 °F



FE-RR8
Rectangular, corner-cube reflector
Temperature range -4 °F to +140 °F



Reflector H60
Rectangular, corner-cube reflector
Temperature range -4 °F to +185 °F

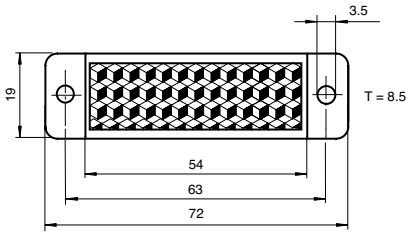


Reflector H50
Square, corner-cube reflector
Temperature range -4 °F to +185 °F

Reflectors

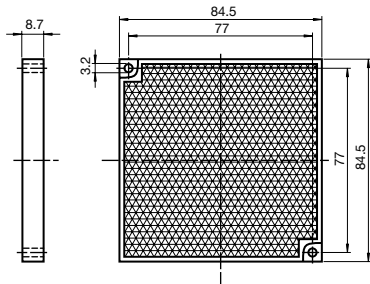
Dimensions in mm

Thru-hole (cont.)



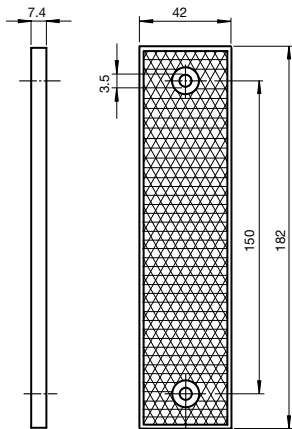
Reflector H72

Rectangular, corner-cube reflector
Temperature range -4 °F to +185 °F



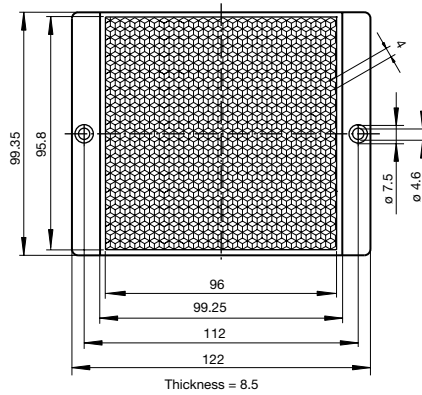
Reflector H85-2

Square, corner-cube reflector
Temperature range -4 °F to +185 °F



Reflector H180

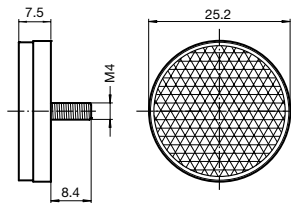
Rectangular, corner-cube reflector
Temperature range -4 °F to +185 °F



Reflector H100

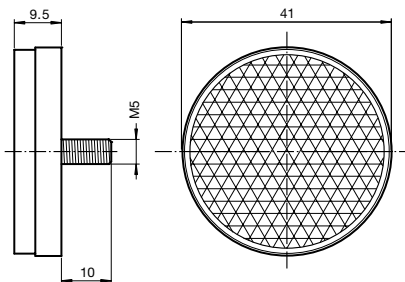
Square, corner-cube reflector
Temperature range -4 °F to +158 °F

Threaded Stud



Reflector S25

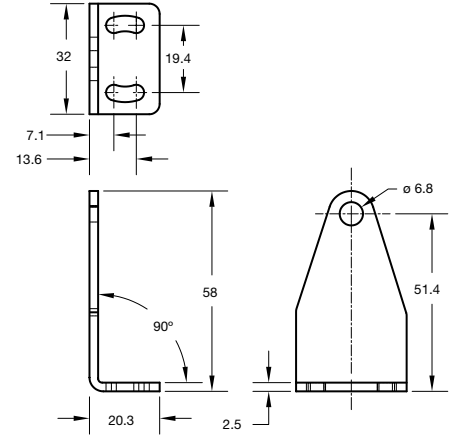
Round, corner-cube reflector
Includes M4 washer and nut
Temperature range -4 °F to +185 °F



Reflector S42

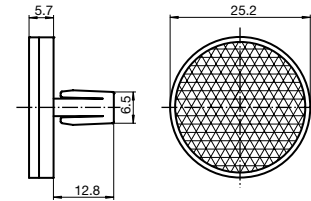
Round, corner-cube reflector
Includes M5 washer and nut
Temperature range -4 °F to +185 °F

Snap-in



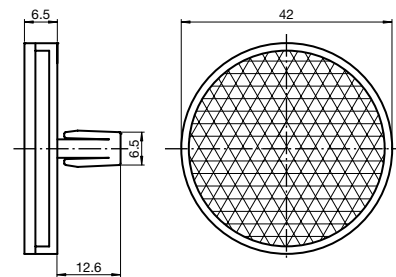
OMH-REFLECTOR-CLIP

Snap-in reflector mounting bracket
for all clip reflectors.
Made from 303 stainless steel



Reflector Clip25

Round, corner-cube reflector
Temperature range -4 °F to +185 °F

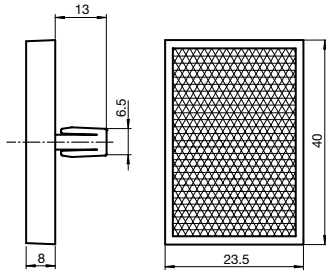


Reflector Clip42

Round, corner-cube reflector
Temperature range -4 °F to +185 °F

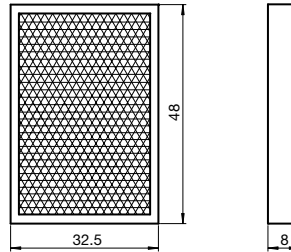
Reflectors

Dimensions in mm



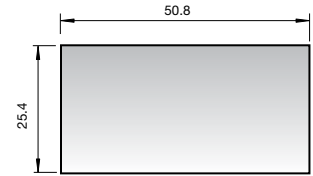
Reflector Clip40

Rectangular, corner-cube reflector
Temperature range -4 °F to +185 °F



Reflector A48

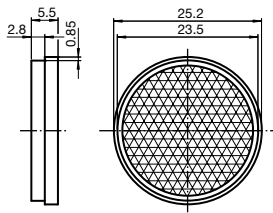
Rectangular, corner-cube reflector
Temperature range -4 °F to +150 °F



FE-RR7-Sheet

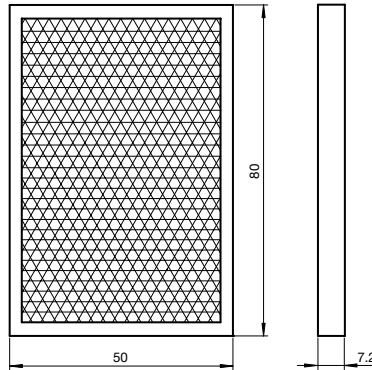
Rectangular, reflective foil.
Sheet of 18 reflective foils.
Individual foils cannot be cut.
Temperature range -40 °F to +176 °F

Self Adhesive



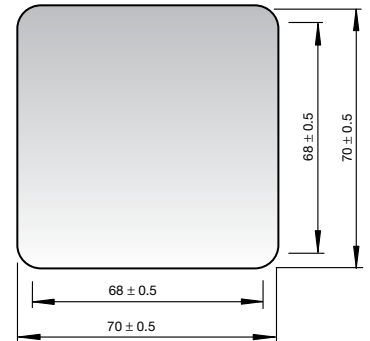
Reflector A25

Round, corner-cube reflector
Temperature range -4 °F to +150 °F



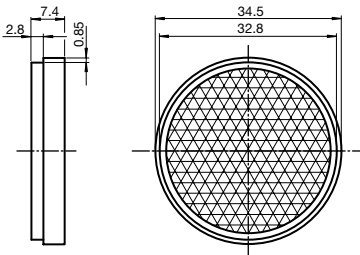
Reflector A80

Rectangular, corner-cube reflector
Temperature range -4 °F to +150 °F



OFR 70-2

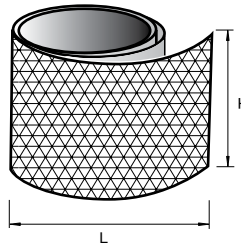
Square, reflective foil.
Sheet of 10 reflective foils.
Individual foils cannot be cut.
Temperature range -40 °F to +176 °F



Reflector A35

Round, corner-cube reflector
Temperature range -4 °F to +150 °F

Reflective Tape

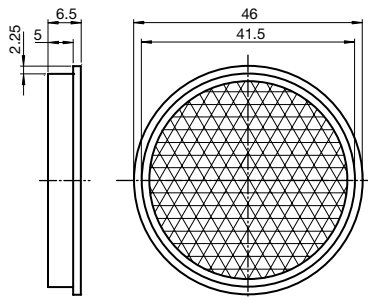


Pre-cut, corner-cube reflective tape.
Reflective tapes can be cut.
150' rolls are available. Contact P+F
Temperature range -40 °F to 180 °F



FE-RR9

Rectangular, reflective foil.
Foil cannot be cut.
Temperature range -40 °F to +176 °F



Reflector A46

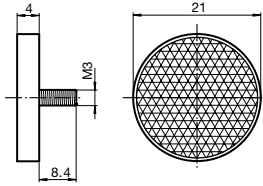
Round, corner-cube reflector
Temperature range -4 °F to +150 °F

MODEL	H	L
RT1 x 100	1.0"	100"
RT1 x 2	1.0"	2.0"
RT2 x 100	2.0"	100"
RT3 x 100	3.0"	100"

Reflectors

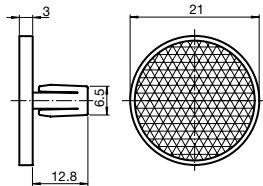
Dimensions in mm

Microstructure



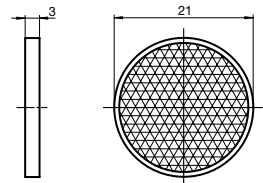
Reflector MS21

Round, microstructure corner-cube reflector. M3 mounting stud includes washer and nut.
Temperature range -4 °F to +185 °F



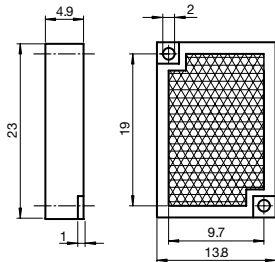
Reflector MClip21

Round, microstructure, corner-cube reflector. Snap-in mounting.
Temperature range -4 °F to +185 °F



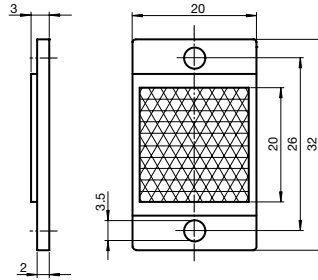
Reflector MA21

Round, microstructure, corner-cube reflector. Self-adhesive mounting.
Temperature range -4 °F to +185 °F



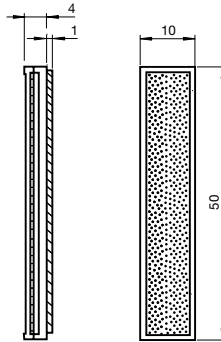
Reflector MH23

Rectangular, microstructure corner-cube reflector. Through-hole mounting.
Temperature range -4 °F to +185 °F



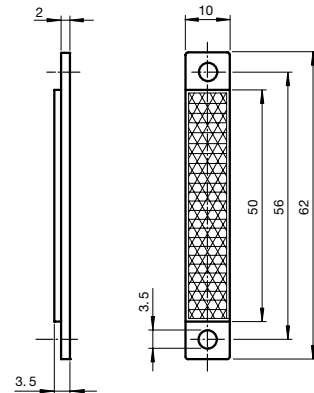
Reflector MH20

Square, microstructure corner-cube reflector. Through-hole mounting.
Temperature range -4 °F to +185 °F



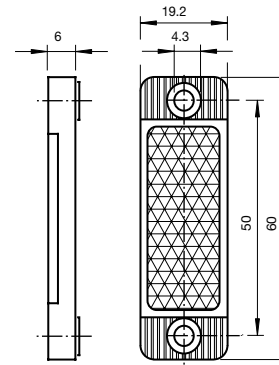
Reflector MA50

Rectangular, microstructure, corner-cube reflector. Self-adhesive mounting.
Temperature range -4 °F to +185 °F



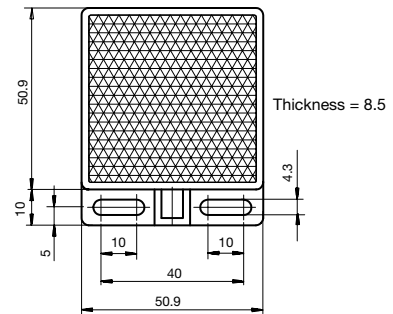
Reflector MH56

Rectangular, microstructure, corner-cube reflector. Through-hole mounting.
Temperature range -4 °F to +185 °F



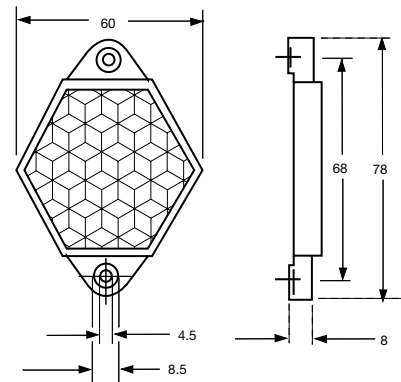
Reflector MVR10

Rectangular, microstructure, corner-cube reflector. Through-hole mounting.
Temperature range -4 °F to +185 °F



Reflector MH50

Square, microstructure corner-cube reflector. Through-hole mounting.
Temperature range -4 °F to +185 °F

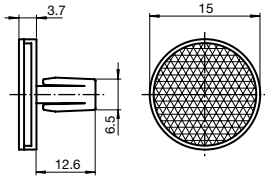


Reflector MH78

Rectangular, microstructure, corner-cube reflector. Through-hole mounting.
Temperature range -4 °F to +185 °F

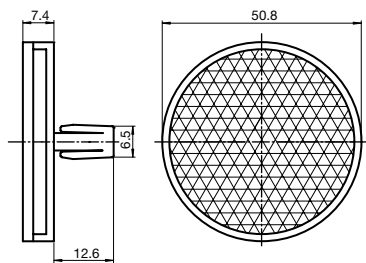
Dimensions in mm

High/Low Temperature



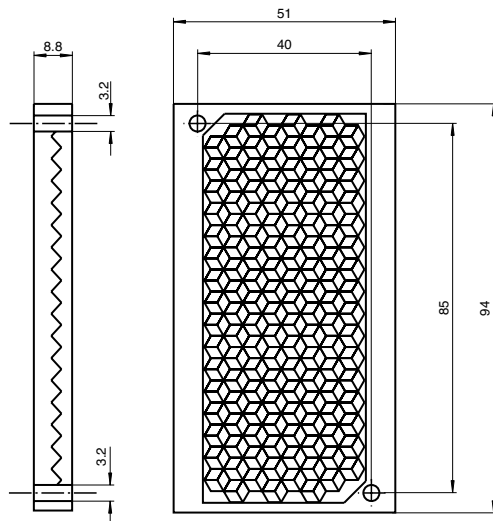
Reflector Mclip15HT

Round, microstructure, corner-cube reflector. Snap-in mounting.
Temperature range -4 °F to +230 °F



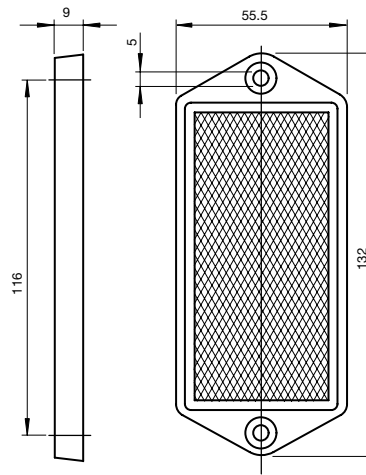
Reflector Clip50HT

Round, corner-cube reflector. Snap-in mounting.
Temperature range -4 °F to +230 °F



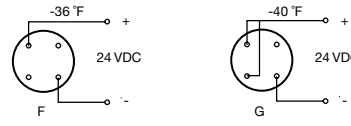
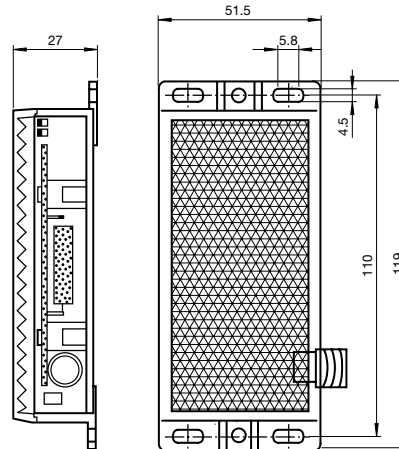
Reflector H85HT

Rectangular, corner-cube reflector. Through-hole mounting.
Temperature range -58 °F to +932 °F



Reflector H116HT

Rectangular, corner-cube reflector. Through-hole mounting.
Temperature range -4 °F to +230 °F



M12 x 1 (V1) 4-pin quick disconnect

Reflector Heater120

Rectangular, corner-cube reflector. Through-hole mounting.
Temperature range -54 °F to +158 °F
Connector type is 4-pin M12 (V1)



Notes



X-ON Electronics

Largest Supplier of Electrical and Electronic Components

Click to view similar products for [pepperl & fuchs](#) manufacturer:

Other Similar products are found below :

[NBN4-12GM50-E3](#) [RL31-54/73C/136](#) [52FR1](#) [MPS11HD](#) [NBB5-18GM50-E2](#) [NBN4-12GM50-E2](#) [NBB-12GM40-E1](#) [UC2000-30GM-IUR2-V15](#) [3RG4038-3KB00](#) [3RG7134-3AA00](#) [RL31-8-1200-RT/73C/136](#) [UC-30GM-R2](#) [UC2000-30GM-E6R2-V15](#) [6GR6221-3AB00](#) [ML100-55/98/103](#) [M100/MV100-RT/35/76A/95/103](#) [3RG4013-0KB00](#) [3RG4148-3CD00](#) [3RG4023-3AG33](#) [INX360D-F99-I2E2-V15](#) [MD17/73](#) [MV17/73/136](#) [NBB8-18GM50-E2-V1](#) [ACX04-F99-I-V15](#) [NBB15-30GM50-E2-V1](#) [NBB20-L2-E2-V1](#) [REF-C110-2](#) [REF-MH50](#) [UB400-F77-E2-V31](#) [50FY416](#) [NBN4-12GM40-Z0](#) [40621](#) [3RG4013-3KB00](#) [3RG6233-3JS00](#) [ML100-55/95/103](#) [NJ2-PD-US-2.062-V93](#) [NBN8-12GM50-E2](#) [UB800-18GM40-E5-V1](#) [3RG4200-1AB00](#) [RT1 X 100](#) [UB800-18GM40-I-V1](#) [3RG7120-3AA00](#) [NBB8-18GM60-A2-V1](#) [UB4000-F42-I-V15](#) [OB-150-F6-E5](#) [NBB4-12GM50-E2-V1](#) [41FR2](#) [NBB2-8GM40-E2-V1](#) [NBB20-L2-A2-V1](#) [REF-H85-2](#)