

Wide Selection of Two-circuit Limit Switches

- A wide selection of models are available, including the overtravel models with greater OT, lamp-equipped models for checking operation, low-temperature and heat-resistant models, and microload models.
- Microload models are added to the product lineup.
- Meets EN/IEC standards (only Switches with ground terminals).
- Switches with ground terminals have the CE marking.
- **Approved Standards**



uCE

Agency	Standard	File No.
UL	UL508	E76675
CSA	CSA C22.2 No. 14	LR45746
TÜV Rheinland	EN60947-5-1	R9551016

Note: Contact your OMRON representative for more information on approved models.

Ordering Information

■ Classification

Specifications		Standard	Overtravel	High-precision	Features	Page
Actuators	Roller lever	Yes	Yes	Yes	Five models: Roller lever, adjustable roller lever, adjustable rod lever, fork lever lock, rod spring lever.	11 to 25
	Plunger	Yes	---	---	Six models: Top plunger, top-roller plunger, top-ball plunger, horizontal plunger, horizontal-roller plunger, horizontal-ball plunger.	
	Flexible rod	Yes	---	---	Two models: coil spring and steel wire.	
Load/contact	Standard load	SPST-NO/SPST-NC type	Yes		Standard models use a two-circuit double-break switch.	
	Microload	SPST-NO/SPST-NC type	Yes		Specifications include gold-plated contacts.	

Specifications			Standard	Overtravel	High-precision	Features	Page
Environment-resistant models (See note 3.)	Airtight-seal	WLj -55	Yes (Cannot be used with heat-resistant and low-temperature models.)			Uses an airtight-sealed built-in switch.	29
	Hermetic seal	Molded terminals				WLj -139	
		WLj -140 WLj -141					
	Anti-coolant	WLj -RP60				Lead wires are attached. The case is filled with epoxy resin, to ensure high sealing performance. The Head opening is protected from cutting powder. (WLj -141) Only WLG2, WLC A2, and WLGCA2 can be fabricated. (WLj -141 models.)	
	Spatter-prevention		WLj -S	Yes	To improve spatter prevention during welding, a heat-resistant resin is used, and screws and rollers are all made from stainless steel.	26 to 29	
Heat-resistive		WLj -TH	Yes (Cannot be used with airtight, hermetic, low-temperature, corrosion-proof, or lamp-equipped models.)			To improve heat resistance, silicone rubber is used for rubber parts and for the built-in switch. The operating temperature range is +5_C to 120_C.	29
Low-temperature		WLj -TC	Yes (Cannot be used with airtight, hermetic, heat-resistive, corrosion-proof, or lamp-equipped models.)			To improve low temperature resistance, silicone rubber is used. The operating temperature range is -40_C to 40_C.	
Corrosion-proof (See note 4.)		WLj -RP	Yes (Cannot be used with lamp-equipped models.)			Diecast parts such as the switch box are made of corrosion-proof aluminum. Rubber-sealing parts are made of fluorine rubber and exposed nuts and screws are made of stainless steel. These all aid in resisting oil, chemicals and adverse weather conditions.	
Outdoor specifications		WLj -P1	--- (See note 5.)	Yes (See note 6.)	---	Rotary shafts are made of unquenched (i.e., untreated) stainless steel to improve corrosion resistance. Exposed nuts and screws are made of stainless steel and rubber sealing parts of silicone rubber. These factors all combine to create a product which is resistant to temperature changes and adverse weather conditions.	
Lamp-equipped		WLj -LE	Yes			Operating status can be checked at a glance. Lit when operating and not lit when not operating. WLj -LE: 100 VAC/VDC min. WLj -LD: 115 VAC/VDC min. (Refer to page 27 for detailed ratings.)	31
		WLj -LD	Yes				
Relevant pages			Pages 11 to 31			---	---

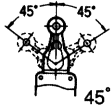
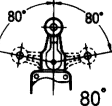
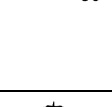
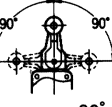
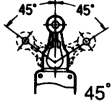
- Note:**
- Do not expose to extreme changes in temperature.
 - Standard Models: Operate on each side at an angle of 45_. Possible to set to one-side operation on either side. Pretravel (PT) is 15_.
Overtravel Models: Standard and high-sensitivity models operate on each side at an angle of 80_. Not possible to set to one-side operation. -2N Series operate on each side at an angle of 90_. Possible to set to one-side operation on either side.
High-precision Models: Operate on each side at an angle of 45_. Possible to set to one-side operation on either side. Pretravel (PT) is 5_.
 - When ordering, add the suffix for the environment-resistant model or indicator specifications required according to the operating environment and purpose.

4. The overtravel model (-2N Series), fork lever lock model (WLCA32-41 to 44), horizontal plunger (WLSdj) model, heat-resistive model, low-temperature model, and lamp-equipped model cannot be used with the corrosion-proof model.
5. Outdoor specifications are available for some standard models. Consult your OMRON representative for details.
6. Outdoor specifications are only available for general models and high-sensitivity models.

■ List of Models



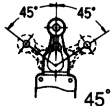
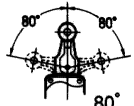
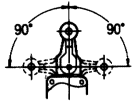
Rotating Lever Models

Roller Lever Models: Short, Medium, and Long Lever Models

Type		Total travel (TT)	Features	Actuator (See note 2.)		
				WL-1A100 Roller Lever: Short lever (R38)	WL-1A200 Roller Lever: Medium lever (R50)	WL-1A300 Roller Lever: Long lever (R63)
Standard			One-side operation is possible. (See note 3.) Head can be mounted in any of the four directions.	WLCA2	WLCA2-7	WLCA2-8
Over-travel	General		One-side operation is impossible. (See note 3.) Head can be mounted in any of the four directions.	WLH2	---	---
	High-sensitivity		One-side operation is possible. (See note 3.) Head can be mounted in any of the four directions.	WLG2	---	---
	-2N Series		One-side operation is possible. (See note 3.) Head can be mounted in any of the two directions. (When the Head can be mounted horizontally, the Head can be mounted in any of the four directions.)	WLCA2-2N	---	---
High-precision			One-side operation is possible. (See note 3.) Head can be mounted in any of the four directions.	WLGCA2	---	---



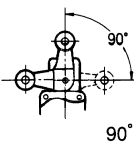
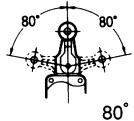
- Note:**
1. For the approved standards file numbers, refer to page 1.
 2. For external dimensions and other information, refer to pages 22 to 25.
 3. One-side operation means that three operational directions can be selected electrically, according to the change in direction of the operating plunger. Those models for which one-side operation is impossible can only operate on both sides. For details, see page 39.

Adjustable Roller Levers and Adjustable Rod Levers

Type		Total Travel (TT)	Features	Actuator (See note 2.)	
				WL-2A100 Adjustable Roller Lever 	WL-4A100 Adjustable Rod Lever (Adjustable length: 25 to 140 mm) WL-3A100 (Adjustable length: 350 to 380 mm) 
Standard			One-side operation possible. (See note 3.) Head can be mounted in any of the four directions.	WLCA12	---
				---	WLCL (WL-4A100)
Over-travel	General		One-side operation possible. (See note 3.) Head can be mounted in any of the four directions.	WLH12	WLHL (WL-4A100)
	High-sensitivity			WLG12	WLHAL4 (WL-3A100)
	-2N Series		One-side operation is possible. (See note 3.) Head can be mounted in any of the two directions. (When the Head can be mounted horizontally, the Head can be mounted in any of the four directions.)	WLCA12-2N	WLCL-2N (WL-4A100)

- Note:**
- For the approved standards file numbers, refer to page 1.
 - For external dimensions and other information, refer to page 22 to 25.
 - One-side operation means that three operational directions can be selected electrically, according to the change in direction of the operating plunger. The operating plunger is set for operation on both sides before delivery. Those models for which one-side operation is impossible can only operate on both sides. For details, see page 39. The operational plunger is factory-set to both sides.

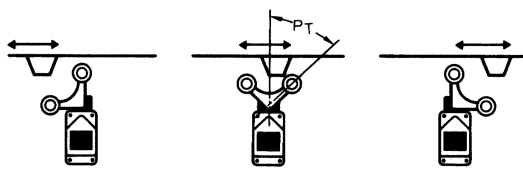
Rod Spring Levers and Fork Lever Locks

Type		Total travel (TT)	Features	Actuator (See note 2.)	
				WL-3A200 Rod Spring Lever 	Fork Lever Locks: WL-5A100, WL-5A102, WL-5A104 
Protective			Head can be mounted in any of the four directions.	---	WLCA32-41 (WL-5A100)
				WLCA32-42 (WL-5A102)	
				WLCA32-43 (WL-5A104)	
Over-travel	General		One-side operation is possible. (See note 3.) Head can be mounted in any of the four directions.	WLHAL5	---

- Note:**
- For the approved standard file numbers, refer to page 1.
 - For external dimensions and other information, refer to page 22 to 25.
 - One-side operation means that three operational directions can be selected electrically, according to the change in direction of the operating plunger. The operating plunger is set for operation on both sides before delivery. Those models for which one-side operation is impossible can only operate on both sides. For details, see page 39. The operational plunger is factory-set to both sides.







- The fork lever lock is configured so that the dog pushes the lever to reverse the output and this reversed state is maintained even after the dog continues on. If the dog then pushes the lever from the opposite direction, the lever will return to its original position.

Example



NC terminal: ON NO terminal: ON NO terminal: ON

Standard Plungers

Type	Actuators	Model
Top	Top Plunger 	WLD
	Top-roller Plunger 	WLD2 WLD28 (see note 2.)
	Top-ball Plunger 	WLD3
Horizontal	Horizontal Plunger 	WLS D
	Horizontal-roller Plunger 	WLS D2
	Horizontal-ball Plunger 	WLS D3

- Note:** 1. For the approved standards file numbers, refer to page 1.
2. Sealed roller.

Model Number Legend





1. Electrical Rating

Blank: Standard
01: Miniature

2. Actuator and Head Specifications

Symbol	Actuator type
CA2	Roller lever: Standard (R38)
CA2-7	Roller lever: Standard, medium lever (R50)
CA2-8	Roller lever: Standard, long lever (R63)
H2	Roller lever: Overtravel, general-purpose model, 80_
G2	Roller lever: Overtravel, high-sensitivity, 80_
CA2-2N	Roller lever: Overtravel, 90_
GCA2	Roller lever: High-precision
CA12	Adjustable roller lever: Standard
H12	Adjustable roller lever: Overtravel, general-purpose model, 80_
G12	Adjustable roller lever: Overtravel, high-sensitivity, 80_
CA12-2N	Adjustable roller lever: Overtravel, 90_
CL	Adjustable rod lever: Standard
HL	Adjustable rod lever: Overtravel, general-purpose model, 80_, 25 to 140 mm
HLAL4	Adjustable rod lever: Overtravel, general-purpose model, 80_, 350 to 380 mm
GL	Adjustable rod lever: Overtravel, high-sensitivity, 80_, 25 to 140 mm
CL-2N	Adjustable rod lever: Overtravel, 90_, 25 to 140 mm
HAL5	Rod spring lever: Protective, Overtravel, general-purpose model, 80_
CA32-41	Fork lever lock: Protective, WL-5A100
CA32-42	Fork lever lock: Protective, WL-5A102
CA32-43	Fork lever lock: Protective, WL-5A104
D	Plunger: Top plunger
D2	Plunger: Top-roller plunger
D28	Plunger: Top-roller plunger, sealed
D3	Plunger: Top-ball plunger

Standard Flexible Rods

Actuators		Model
Coil spring 	Spring dia. 6.5	WLNJ
	Spring dia. 4.8	WLNJ-30
	Resin rod dia. 8.0	WLNJ-2
Steel wire 	1.0-dia. wire	WLNJ-S2

Note: For the approved standards file numbers, refer to page 1.

Microload Models

A series of microload models has also been developed for the configurations outlined on pages 3 to 5. The model numbers become WL01j . For example, WLCA2 becomes WL01CA2.

Switches without levers

- WLRCA2
- WLRCA2
- WLRCA2
- WLRH2
- WLRG2
- WLRCA2-2N
- WLRGCA2
- WLRCA2
- WLRH2
- WLRG2
- WLRCA2-2N
- WLRCL
- WLRH2
- WLRH2
- WLRG2
- WLRCA2-2N
- WLRH2
- WLRCA32
- WLRCA32
- WLRCA32
-
-
-
-

Symbol	Actuator type	Switches without levers
SD	Plunger: Horizontal plunger	---
SD2	Plunger: Horizontal-roller plunger	---
SD3	Plunger: Horizontal-ball plunger	---
NJ	Flexible rod: Coil spring	---
NJ-30	Flexible rod: Coil spring, multi-wire	---
NJ-2	Flexible rod: Coil spring, resin rod	---
NJ-S2	Flexible rod: Steel wire	---

3. Environment-resistant Model Specifications

Blank:	Standard
RP:	Corrosion-proof (See note 1.)
P1:	Weather-resistant (See note 1.)

4. Built-in Switch Specifications

Blank:	General-purpose built-in switch
55:	Hermetically-sealed built-in switch (See note 1.)

5. Temperature Specifications

Blank:	Standard: -10_C to 80_C
TH:	Heat-resistive: 5_C to 120_C (See note 1.)
TC:	Low temperature: -40_C to 40_C (See note 1.)

6. Special Hermetic Model Specifications

Blank:	No cables or molding
139:	General-purpose built-in switch with cables attached and molded conduit opening and cover (cover cannot be removed). (See note 1.)
140:	Airtight built-in switch with cables attached and molded conduit opening, cover, and case cover (cover cannot be removed). (See note 1.)
141:	Airtight built-in switch with cables attached and molded conduit opening, cover, and case cover (cover cannot be removed). The Head opening is created to protect it from cutting powder. (See note 1.)
RP40:	Airtight built-in switch with cables attached, SC Connector can be used, molded conduit opening, cover, and case cover (cover cannot be removed). (See note 1.)
RP60:	Airtight built-in switch with cables attached, fluorine rubber-molded conduit opening, cover, and case cover (cover cannot be removed). (See note 1.)

7. Conduit Size, Ground Terminal Specifications

Blank:	G 1/2	Without ground terminal
G1:	G 1/2	With ground terminal
G:	Pg13.5	With ground terminal
Y:	M20	With ground terminal
TS:	1/2-14NPT	With ground terminal

8. Indicator Type

	Element	Voltage	Leakage Current
Blank:	No indicators		
LE:	Neon lamp	125 to 250 VAC	Approx. 0.6 to 1.9 mA
LD:	LED	10 to 115 VAC/VDC	Approx. 1 mA

9. Lever Type

Blank:	Allen-head lever (standard)
A:	Double nut lever

10.

Blank:	Standard
S:	Spatter-proof model (See note 2.)

11. Conduit Wiring Specifications

Blank:	Screw-tightened terminal (G1/2 conduit)
K13:	Direct-wired Connector (2-core, DC)
K13A:	Direct-wired Connector (2-core, AC)
K43:	Direct-wired Connector (4-core, DC)
K43A:	Direct-wired Connector (4-core, AC)
-M1J:	Pre-wired Connector (2-core, DC) with 0.3-m cable attached.
-AGJ03:	Pre-wired Connector (4-core, AC) with 0.3-m cable attached.
-DGJ03:	Pre-wired Connector (4-core, DC) with 0.3-m cable attached.
-DK1EJ03:	Pre-wired Connector (3-core, DC) with 0.3-m cable attached.

- Note:**
1. For information on applicable models, see page 29 to 31.
 2. For information on applicable models, see pages 26 to 29.

General-purpose Models

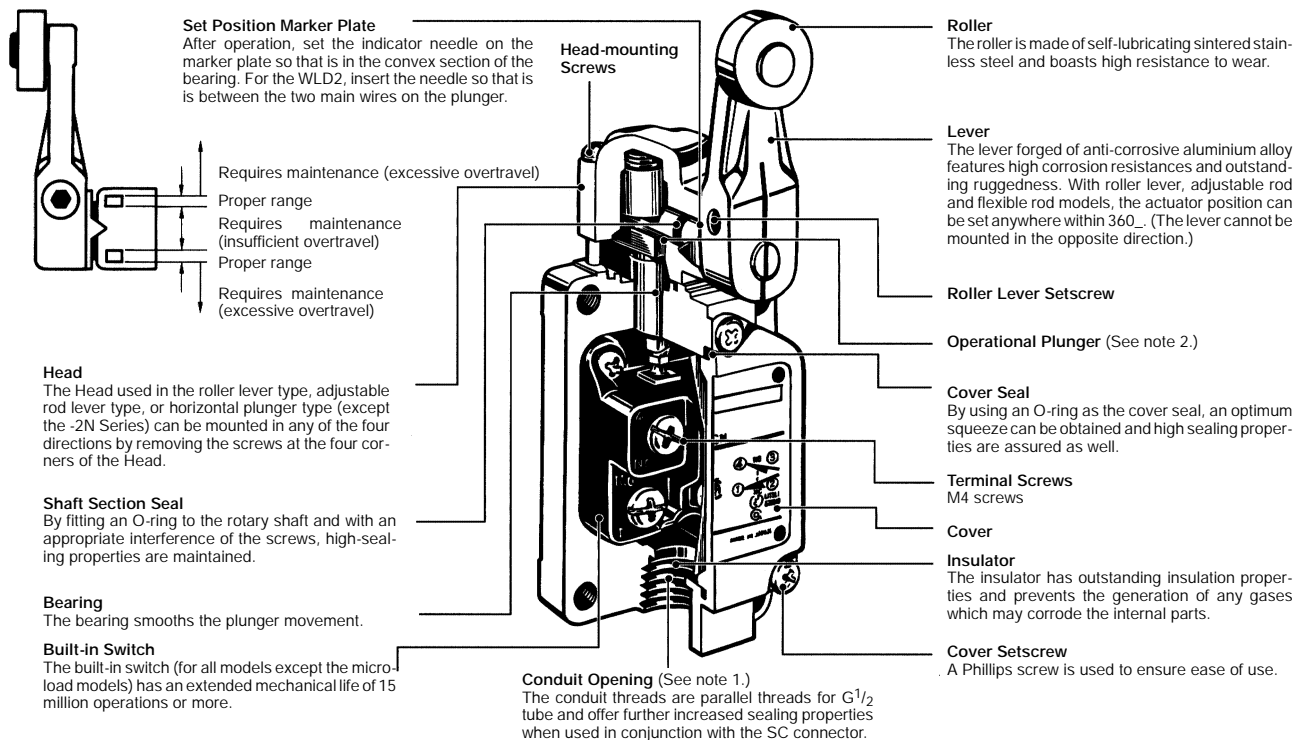
These Limit Switches are two-circuit double-break switches housed in rugged diecast, thus making it an oil-tight, waterproof and dust-proof construction (complies with IP67).

In addition to the standard models, microload models are also available.

A wide range of actuators with a range of functions are available; rotating lever, plunger, flexible rod etc.

The rubber material in the standard models is designed to be resistant to water and most oils.

Nomenclature



- Note:**
1. The display for conduit threads has changed from PF¹/₂ to G¹/₂, according to revisions of JIS B 0202. This is only a change in the display, so the thread size and pitch have not changed. (Conduit threads Pg 13.5 and ¹/₂-14NPT are also available.)
 2. By changing the orientation of the operational plunger, three operational directions can be selected electrically. (This is only possible with general-purpose roller lever, adjustable roller lever, and adjustable rod lever models. For the overtravel models, only -2N Series models have this function.)

Ratings

Type	Rated voltage	Non-inductive load				Inductive load			
		Resistive load		Lamp load		Inductive load		Motor load	
		NC	NO	NC	NO	NC	NO	NC	NO
Standard, overtravel (except high-sensitivity models), and high-precision models.	125 VAC	10 A	10 A	3 A	1.5 A	10 A		5 A	2.5 A
	250 VAC	10 A	10 A	2 A	1 A	10 A		3 A	1.5 A
	500 VAC	10 A	10 A	1.5 A	0.8 A	3 A		1.5 A	0.8 A
	8 VDC	10 A		6 A	3 A	10 A		6 A	
	14 VDC	10 A		6 A	3 A	10 A		6 A	
	30 VDC	6 A		4 A	3 A	6 A		4 A	
	125 VDC	0.8 A		0.2 A	0.2 A	0.8 A		0.2 A	
	250 VDC	0.4 A		0.1 A	0.1 A	0.4 A		0.1 A	
Overtravel (high-sensitivity)	125 VAC	5 A		---		---		---	
	250 VAC	5 A		---		---		---	
	125 VDC	0.4 A		---		---		---	
	250 VDC	0.2 A		---		---		---	

- Note:**
1. The above figures are for standard currents.
 2. Inductive loads have a power factor of 0.4 min. (AC) and a time constant of 7 ms max. (DC).
 3. Lamp load has an inrush current of 10 times the steady-state current.

- 4. Motor load has an inrush current of 6 times the steady-state current.
- 5. For PC loads, use the microload models.

Inrush current	NC	30 A max. (15 A max. (see note))
	NO	20 A max. (10 A max. (see note))

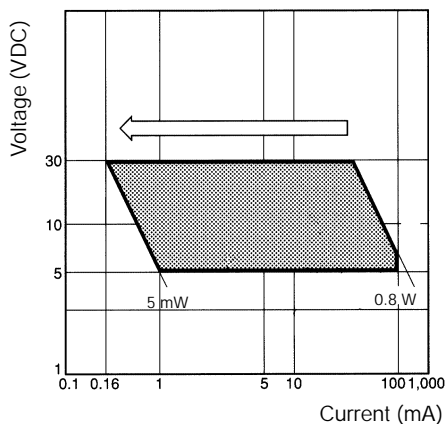
Note: Only for high-sensitivity overtravel models.

Microload Models

Rated voltage	Resistive load
125 VAC	0.1 A
30 VDC	

Operation within the three zones illustrated in the following diagram will produce optimum performance.

Recommended Load Range: 5 to 30 VDC, 0.5 to 100 mA



Ground Terminal Models

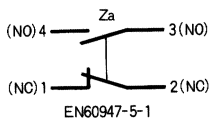
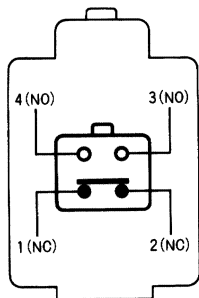
WL $\frac{\square}{1}$ - $\frac{\square}{2}$

- 1: Type of actuator
 - 2: Conduit opening size
- The models differ depending on the size of the case's conduit thread.

Model	Conduit opening size
G1	G 1/2
G	Pg 13.5
Y	M20
TS	1/2-14NPT

Contact Form

Standard (WLj)/Microload (WL01j) Models



■ Approved Standard Ratings

UL/CSA

Standard Models: A600

Rated voltage	Carry current	Current		Volt-amperes	
		Make	Break	Make	Break
120 VAC	10 A	60 A	6 A	7,200 VA	720 VA
240 VAC		30 A	3 A		
480 VAC		15 A	1.5 A		
600 VAC		12 A	1.2 A		

Microload Models:

0.1 A 125 VAC, 0.1 A 30 VDC

TÜV (EN60947-5-1)

(Only Ground Terminal Models are Approved)

Model	Category/rating	Thermal current	Indicator
WLj -j	AC-15 2 A/250 V DC12 2 A/48 V	10 A	---
WL01j -j	AC-14 0.1 A/125 V DC12 0.1 A/48 V	0.5 A	---
WLj -j LE	AC-15 2 A/250 V	10 A	Neon lamp
WL01j -j LE	AC-14 0.1 A/125 V	0.5 A	Neon lamp
WLj -j LD	AC-15 2 A/115 V DC12 2 A/48 V	10 A	LED
WL01j -j LD	AC-14 0.1 A/115 V DC12 0.1 A/48 V	0.5 A	LED

Note: As an example, AC-15 2 A/250 V means the following:

Application category	AC-15
Rated operating current (Ie)	2 A
Rated operating voltage (Ue)	250 V

■ Characteristics

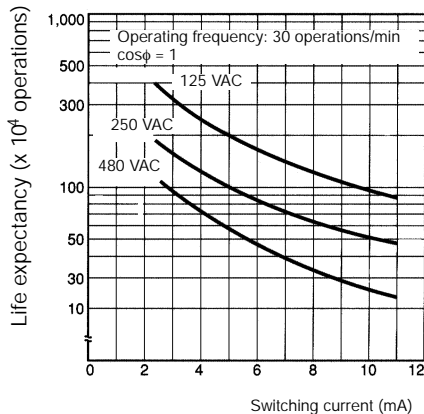
Degree of protection	IP67
Life expectancy (see note 3)	Mechanical: 15,000,000 operations min. (see note 4) Electrical: 750,000 operations min. (see note 5)
Operating speed	1 mm to 1 m/s (for WLCA2)
Operating frequency	Mechanical: 120 operations/minute min. Electrical: 30 operations/minute min.
Rated frequency	50/60 Hz
Insulation resistance	100 MΩ min. (at 500 VDC)
Contact resistance	25 mΩ max. (initial value)
Dielectric strength	1,000 VAC (600 VAC), 50/60 Hz for 1 min between non-continuous terminals. 2,200 VAC, 50/60 Hz for 1 min/Uimp 2.5 kV non-current-carrying metal part and ground. 2,200 VAC, 50/60 Hz for 1 min Uimp 2.5 kV between each terminal and non-current-carrying metal part.
Rated insulation voltage (U _i)	250 V (EN60947-5-1)
Switching overvoltage	1,000 V max. (EN60947-5-1)
Pollution degree (operating environment)	3 (EN60947-5-1)
Short-circuit protective device (SCPD)	10 A, fuse type gG or gI (IEC269)
Conditional short-circuit current	100 A (EN60947-5-1)
Conventional enclosed thermal current (I _{the})	10 A, 0.5 A (EN60947-5-1)
Protection against electric shock	Class I
Vibration resistance	10 to 55 Hz, 1.5-mm double amplitude (see note 6)
Shock resistance	Destruction: 1,000 m/s ² min. Malfunction: 300 m/s ² min. (see note 6)
Ambient temperature	Operating: -10°C to 80°C (with no icing) (see note 7)
Ambient humidity	Operating: 95% max.
Weight	Approx. 275 g (in the case of WLCA2)

- Note:
1. The above figures are initial values.
 2. The figures in parentheses for dielectric strength, are those for the overtravel (high-sensitivity) model.
 3. Life expectancy values are calculated at an operating temperature of 5°C to 35°C, and an operating humidity of 40% to 70%. Contact your OMRON sales representative for more detailed information on other operating environments.
 4. 10,000,000 operations min. for general, high-sensitivity, and flexible rod overtravel models.
 5. 500,000 operations min. for high-precision and outdoor specifications models. All microload models however, are 1,000,000 operations min.
 6. Except the flexible rod models.
 7. For low temperature models this is -40_C to 40°C (no icing). For heat-resistive models the range is +5°C to 120°C.

Engineering Data

Electrical Life Expectancy

Operating temperature: 5°C to 30°C
Operating humidity: 40% to 70%.



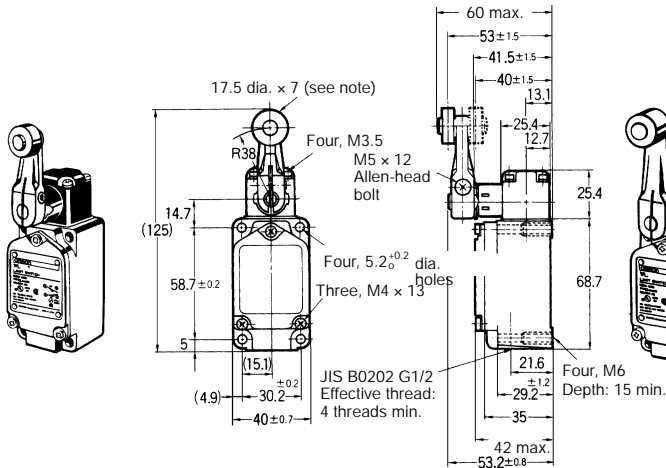
Standard Models

■ Dimensions/Operating Characteristics

- Note: 1. Rotating Lever Models: For all models WLj indicates a standard model and WL01j indicates a microload model.
 2. Unless otherwise indicated, a tolerance of ± 0.4 mm applies to all dimensions.

Roller Lever

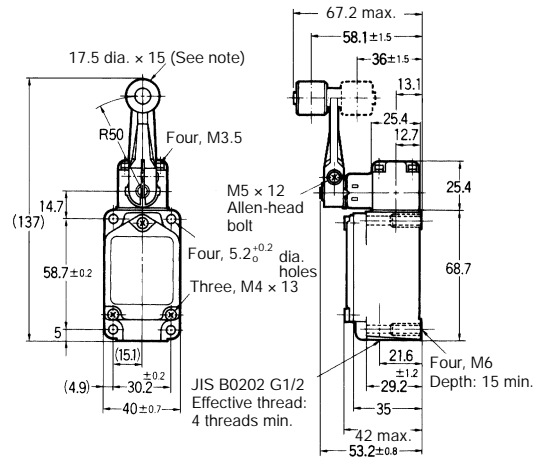
WLCA2
WL01CA2



Note: Stainless sintered roller

Roller Lever

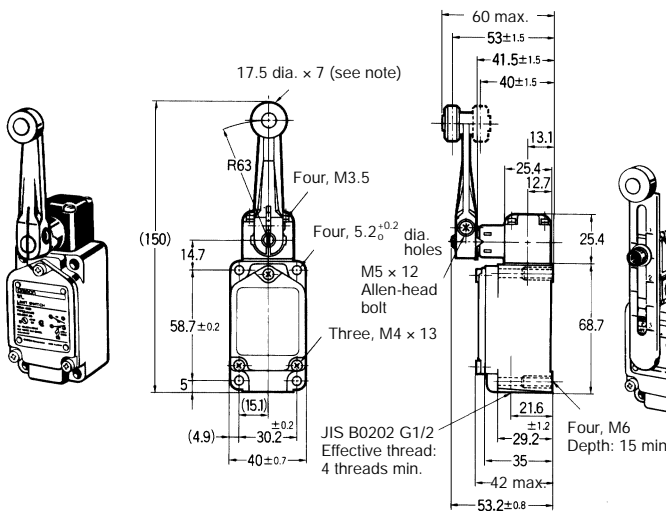
WLCA2-7
WL01CA2-7



Note: Stainless steel roller

Roller Lever

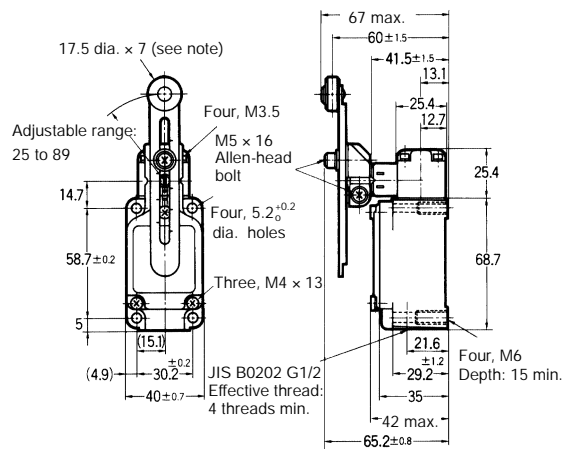
WLCA2-8
WL01CA2-8



Note: Stainless sintered roller

Adjustable Roller Lever

WLCA12
WL01CA12



Note: Stainless sintered roller

Operating characteristics	WLCA2 WL01CA2	WLCA2-7 WL01CA2-7	WLCA2-8 WL01CA2-8	WLCA12 WL01CA12 (see note)
Operating force: OF max.	13.34 N	10.2 N	8.04 N	13.34 N
Release force: RF min.	2.23 N	1.67 N	1.34 N	2.23 N
Pretravel: PT	15±5°	15±5°	15±5°	15±5°
Overtravel: OT min.	30°	30°	30°	30°
Movement differential: MD max.	12°	12°	12°	12°

Note: The operating characteristics for WLCA12 and WL01CA12 are measured at the lever length of 38 mm.

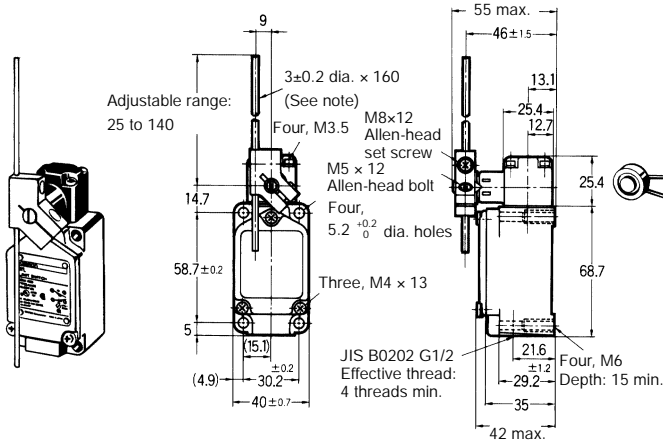
OF and RF for WLCA12, with a lever length of 89 mm.

Operating characteristics	WLCA12, WL01CA12
OF	5.68 N
RF	0.95 N

Rotating Lever Models: For all models WL indicates a standard model and WL01j indicates a microload model.

Adjustable Rod Lever

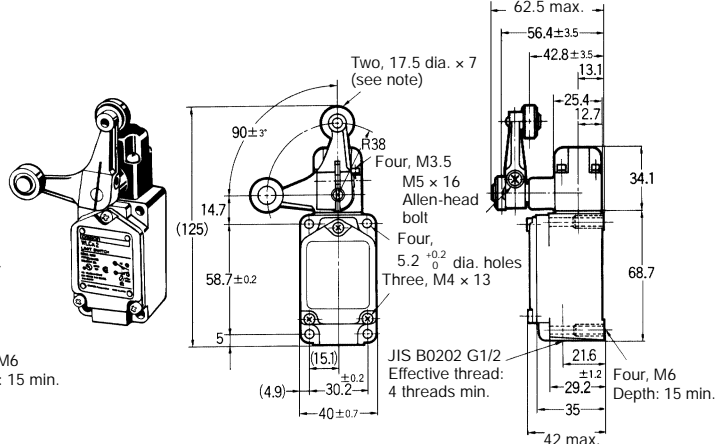
WLCL
WL01CL



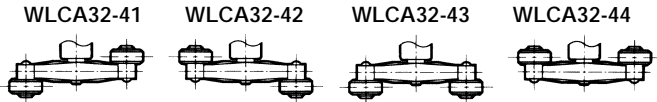
Note: Stainless steel rod

Fork Lever Lock

WLCA32-41 to 44
WL01CA32-41 to 44
(For details see page 4.)

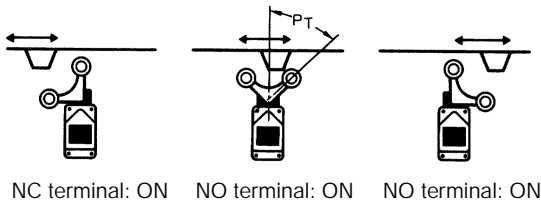


Note: Plastic roller. This illustration shows the external dimensions of the WLCA32-41. (Models WLCA32-041 to -044 have stainless steel rollers.)



- Note:
1. Unless otherwise indicated, a tolerance of ±0.4 mm applies to all dimensions.
 2. The fork lever lock is configured so that the dog pushes the lever to reverse the output and this reversed state is maintained even after the dog continues on. If the dog then pushes the lever from the opposite direction, the lever will return to its original position.

Example



Operating characteristics	WLCL, WL01CL
Operating force: OF max.	1.39 N
Release force: RF min.	0.27 N
Pretravel: PT	15±5°
Overtravel: OT min.	30°
Movement differential: MD max.	12°

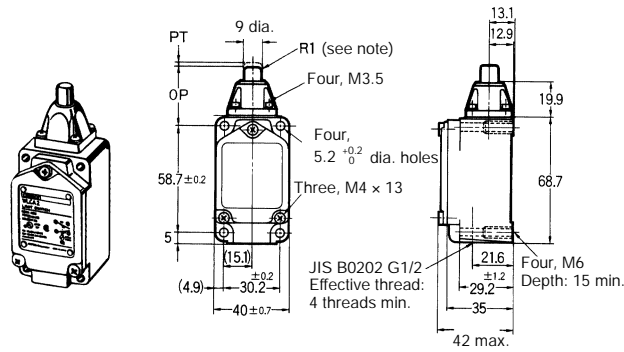
Note: The operating characteristics for WLCA12 and WL01CA12 are measured at the lever length of 140 mm.

Operating characteristics	WLCA32-41 to 44, WL01CA32-41 to 44
Force necessary to reverse the direction of the lever: Max.	11.77 N}
Movement until the lever reverses	50±5°
Movement until switch operation: Max.	55°
Movement after switch operation: Min.	35°

- Note:** 1. Plunger Models: For all models WLj indicates a standard model and WL01j indicates a microload model.
 2. Unless otherwise indicated, a tolerance of ± 0.4 mm applies to all dimensions.

Top Plunger

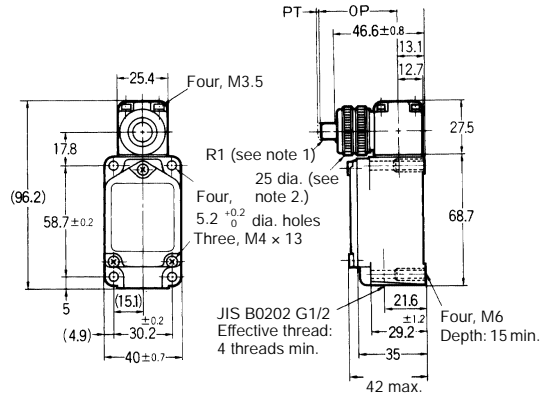
WLD
WL01D



Note: Stainless steel plunger

Horizontal Plunger

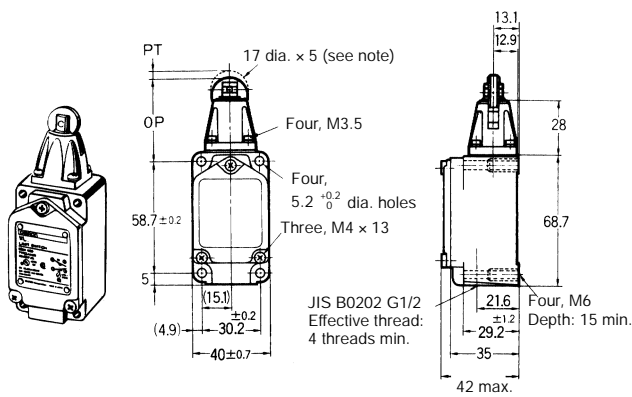
WLS
WL01SD



- Note:** 1. Stainless steel plunger
 2. Cosmetic nuts.

Top-roller Plunger

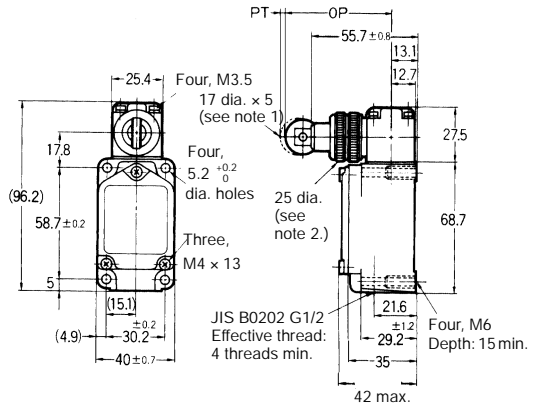
WLD2
WL01D2



Note: Stainless sintered roller

Horizontal-roller Plunger

WLS2
WL01SD2

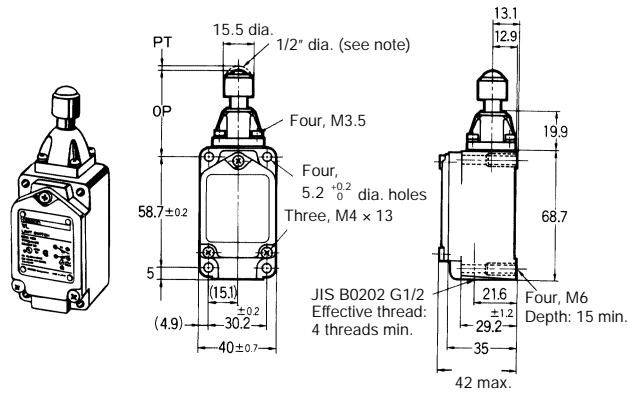


- Note:** 1. Stainless sintered roller
 2. Cosmetic nuts
 3. The WLS21 model, which has the roller rotated by 90° is also available.

Note: Unless otherwise indicated, a tolerance of ±0.4 mm applies to all dimensions.

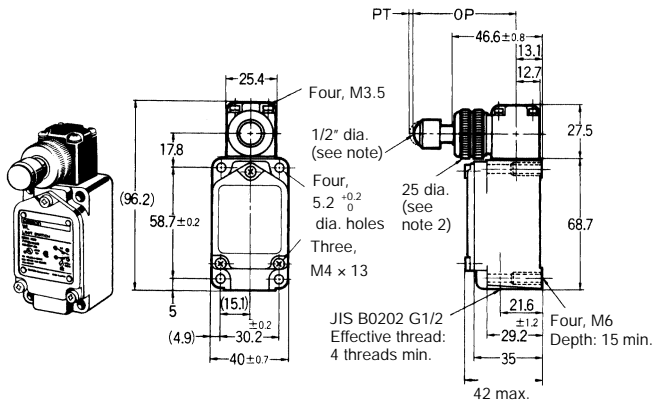
Top-ball Plunger

WLD3
WL01D3



Horizontal-ball Plunger

WLSD3
WL01SD3

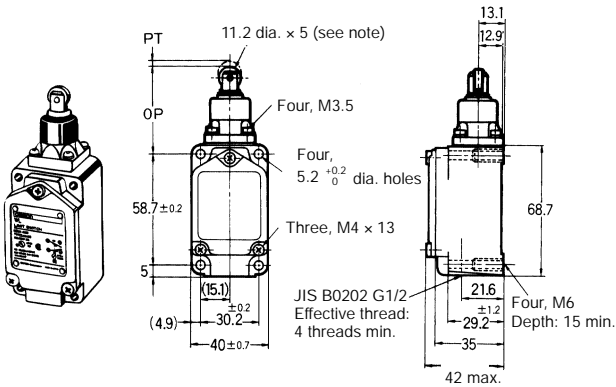


Note: Stainless steel ball

Note: 1. Stainless steel ball
2. Cosmetic nuts

Sealed Top-roller Plunger

WLD28
WL01D28



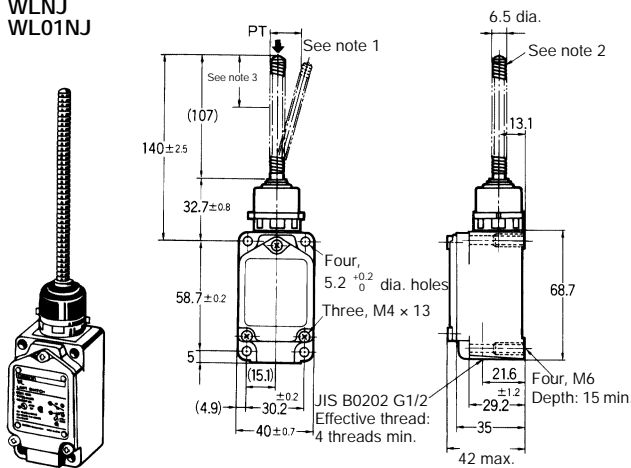
Note: Stainless steel ball

Operating characteristics	WLD WL01D	WLD2 WL01D2	WLD3 WL01D3	WLD28 WL01D28	WLSD2 WL01SD2	WLSD3 WL01SD3	WLSD WL01SD
Operating force: OF max.	26.67 N	26.67 N	26.67 N	16.67 N	40.03 N	40.03 N	40.03 N
Release force: RF min.	8.92 N	8.92 N	8.92 N	4.41 N	8.89 N	8.89 N	8.89 N
Pretravel: PT max.	1.7 mm	1.7 mm	1.7 mm	1.7 mm	2.8 mm	2.8 mm	2.8 mm
Overtravel: OT min.	6.4 mm	5.6 mm	4 mm	5.6 mm	5.6 mm	4 mm	6.4 mm
Movement differential: MD max.	1 mm	1 mm	1 mm	1 mm	1 mm	1 mm	1 mm
Operating position: OP	34±0.8 mm	44±0.8 mm	44.5±0.8 mm	44±0.8 mm	54.2±0.8 mm	54.1±0.8 mm	40.6±0.8 mm
Total travel position: TTP max.	29.5 mm	39.5 mm	41 mm	39.5 mm	---	---	---

Note: 1. Flexible Rod Models: For all models WLj indicates a standard model and WL01j indicates a microload model.
 2. Unless otherwise indicated, a tolerance of ±0.4 mm applies to all dimensions.

Coil Spring

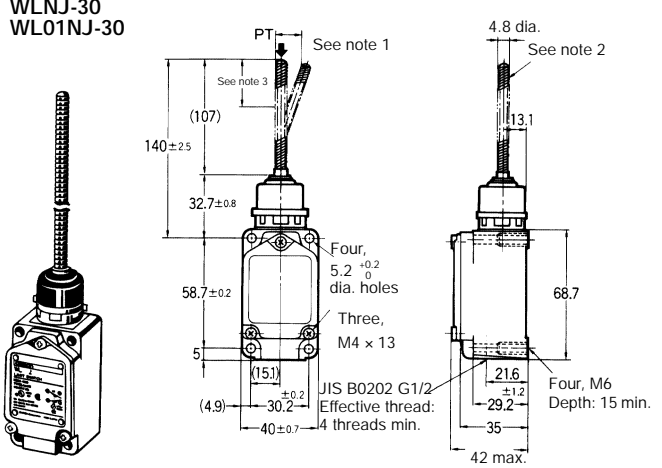
WLNJ
 WL01NJ



Note: 1. The coil spring may be operated from any direction except the axial direction (↓).
 2. Stainless steel coil spring
 3. Optimum operating range of the coil spring is within 1/3 of the entire length from the top end.

Coil Spring (Multi-wire)

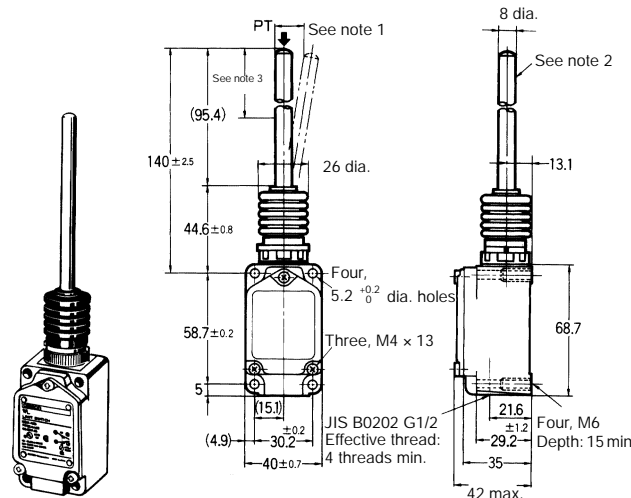
WLNJ-30
 WL01NJ-30



Note: 1. The coil spring may be operated from any direction except the axial direction (↓).
 2. Piano wire coil
 3. Optimum operating range of the coil spring is within 1/3 of the entire length from the top end.

Coil Spring (Resin Rod)

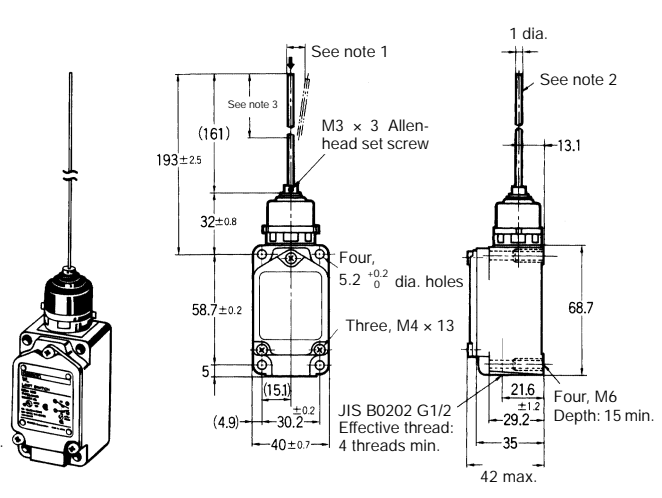
WLNJ-2
 WL01NJ-2



Note: 1. The coil spring may be operated from any direction except the axial direction (↓).
 2. Polyamide resin rod
 3. Optimum operating range of the rod is within 1/3 of the entire length from the top end.

Steel Wire

WLNJ-S2
 WL01NJ-S2



Note: 1. The coil spring may be operated from any direction except the axial direction (↓).
 2. Stainless steel wire
 3. Optimum operating range of the wire is within 1/3 of the entire length from the top end.

Operating characteristics	WLNJ WL01NJ (see note)	WLNJ30 WL01NJ30 (see note)	WLNJ-2 WL01NJ-2 (see note)	WLNJ-S2 WL01NJ-S2 (see note)
Operating force: OF max.	1.47 N	1.47 N	1.47 N	0.28 N
Pretravel: PT	20±10 mm	20±10 mm	40±20 mm	40±20 mm

Note: These values are taken from the top end of the wire or spring.

Overtravel Models

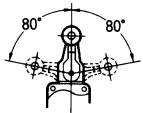
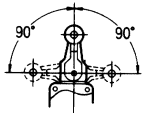
Overtravel models are Limit Switches which are provided with a greater OT to facilitate dog setting.

The overtravel models are classified into three types; general-purpose, high-sensitivity, and models which are capable of one-side 90° operation, the -2N Series.

The -2N Series can also be installed on either side.

Since this model is identical to the standard model in dimensions, both models are interchangeable.

Like the standard model, it is oil-tight, waterproof, and dustproof (complies with IP67).

Overtravel Models (1)	Overtravel Models (2)
General-purpose, high sensitivity models	-2N Series
	
Head can be mounted in any of the four directions. The lever operates on either side at 80°. One-side operation is impossible.	The Head can be mounted in two directions, forward and backward. The lever operates on either side at 90°. One side operation is possible.

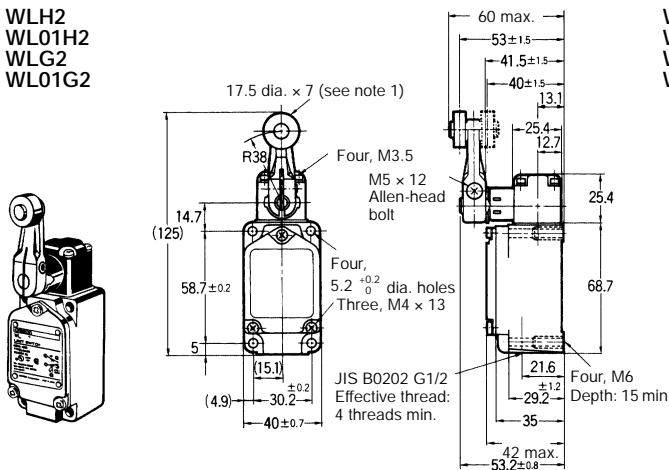
Overtravel Models (1) General-purpose/High Sensitivity Models

■ Dimensions/Operating Characteristics

- Note:**
1. For all models WLj indicates a standard model and WL01j indicates a microload model.
 2. One-side operation is not possible with the general-purpose and high-sensitivity models.
 3. Unless otherwise indicated, a tolerance of ±0.4 mm applies to all dimensions.

Roller Lever

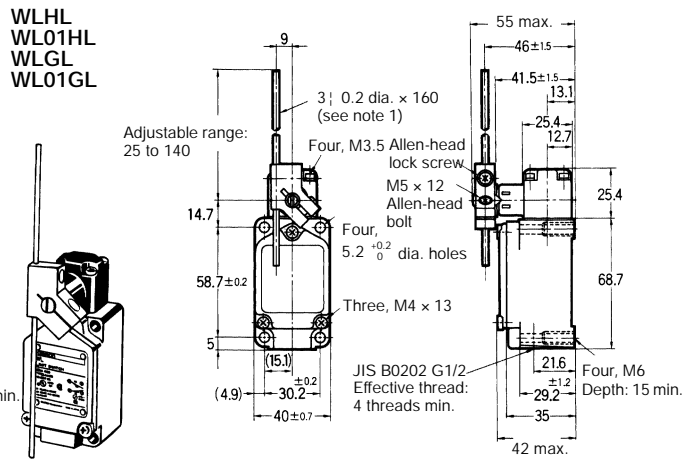
WLH2
WL01H2
WLG2
WL01G2



- Note:**
1. Stainless sintered roller
 2. WLj G2 is identical to other models except in the shape of the set position marker plate.
 3. The built-in switch for WLH2 is W-10FB3.
 4. The built-in switch for WLG2 is W-10FB3-8.

Adjustable Rod Lever

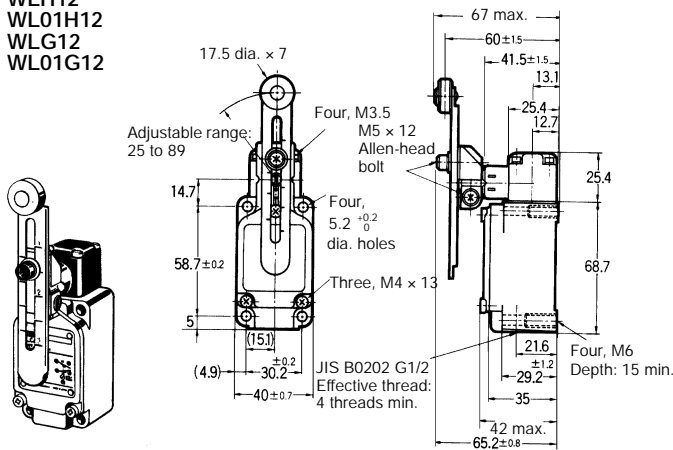
WLHL
WL01HL
WLGL
WL01GL



- Note:**
1. WLj GL is identical to other models except in the shape of the set position marker plate.
 2. The built-in switch for WLHL is W-10FB3.
 3. The built-in switch for WLGL is W-10FB3-8.

Adjustable Roller Lever

WLH12
 WL01H12
 WLG12
 WL01G12



- Note:**
1. Stainless sintered roller
 2. WLj G12 is identical to other models except in the shape of the set position marker plate.
 3. The built-in switch for WLH12 is W-10FB3.
 4. The built-in switch for WLG12 is W-10FB3-8.

Operating characteristics	WLH2 WL01H2	WLG2 WL01G2	WLH12 WL01H12 (see note 1)	WLG12 WL01G12 (see note 1)	WLHL WL01HL (see note 2)	WLGL WL01GL (see note 2)
Operating force: OF max.	9.81 N	9.81 N	9.81 N	9.81 N	2.84 N	2.84 N
Release force: RF min.	0.98 N	0.98 N	0.98 N	0.98 N	0.25 N	0.25 N
Pretravel: PT	15±5°	10° ⁺² ₋₁	15±5°	10° ⁺² ₋₁	15±5°	10° ⁺² ₋₁
Overtravel: OT min.	55°	65°	55°	65°	55°	65°
Movement differential: MD max.	12°	7°	12°	7°	12°	7°

- Note:**
1. The operating characteristics of WLH12, WL01HL12, WLG12, and WL01G12 are measured at the lever length of 38 mm.
 2. The operating characteristics of WLHL, WL01HL, WLGL, and WL01GL are measured at the rod length of 140 mm.

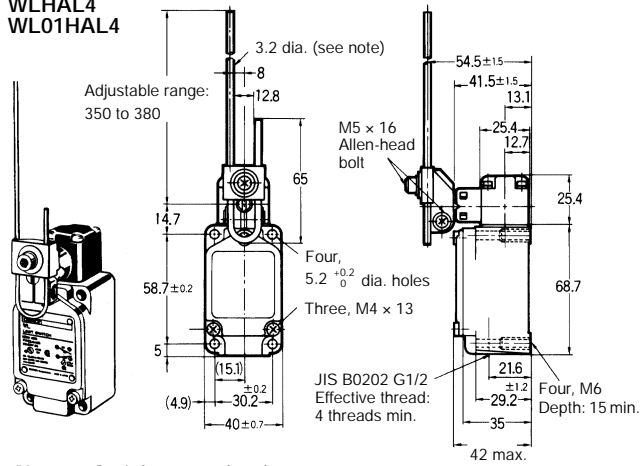
OF and RF for WLH12 and WL01H12, with a lever length of 89 mm.

Operating characteristics	WLH12, WL01H12	WLG12, WL01G12
OF	4.18 N	4.18 N
RF	0.42 N	0.42 N

- Note:** 1. For all models WLj indicates a standard model and WL01j indicates a microload model.
 2. Unless otherwise indicated, a tolerance of ± 0.4 mm applies to all dimensions.

Adjustable Rod Lever

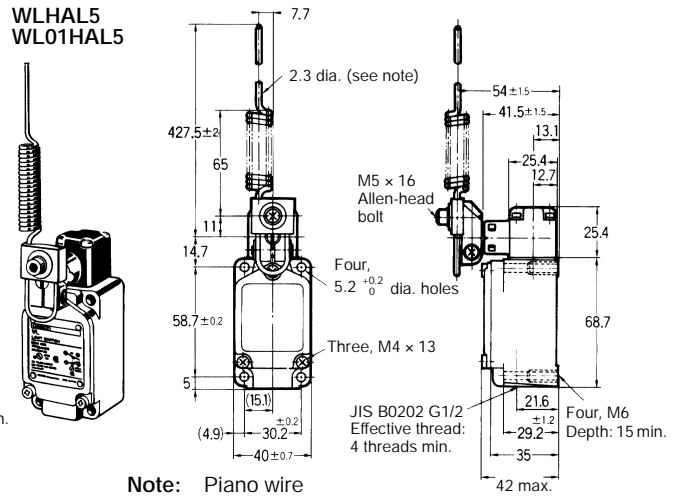
WLHAL4
 WL01HAL4



Note: Stainless steel rod

Rod Spring Lever

WLHAL5
 WL01HAL5



Note: Piano wire

Operating characteristics	WLHAL4 WL01HAL4 (see note 2)	WLHAL5 WL01HAL5
Operating force: OF max.	0.98 N	0.90 N
Release force: RF min.	0.15 N	0.09 N
Pretravel: PT	15±5°	15±5°
Overtravel: OT min.	55°	55°
Movement differential: MD max.	12°	12°

- Note:** 1. With WLHAL4, WL01HAL4, WLHAL5, and WL01HAL5, the actuator's tare is large, so depending on the installation direction, they may not be properly reset. Always install so that the actuator is facing downwards.
 2. The operating characteristics of WLHAL4, and WL01HAL4 are measured at the rod length of 380 mm.

Overtravel Models (2) -2N Series

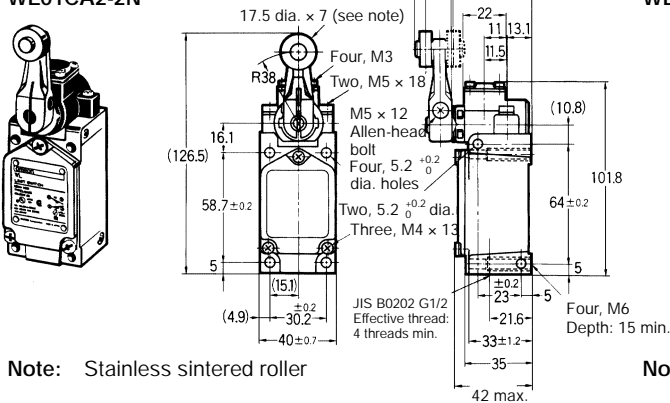
-2N Series (90° operation on one side is possible by simply changing the direction of the cam.)

■ Dimensions/Operating Characteristics

- Note:** 1. For all models WLj indicates a standard model and WL01j indicates a microload model.
 2. With the -2N Series, 90° operation on one side is possible by simply changing the direction of the cam.
 3. Unless otherwise indicated, a tolerance of ±0.4 mm applies to all dimensions.

Roller Lever

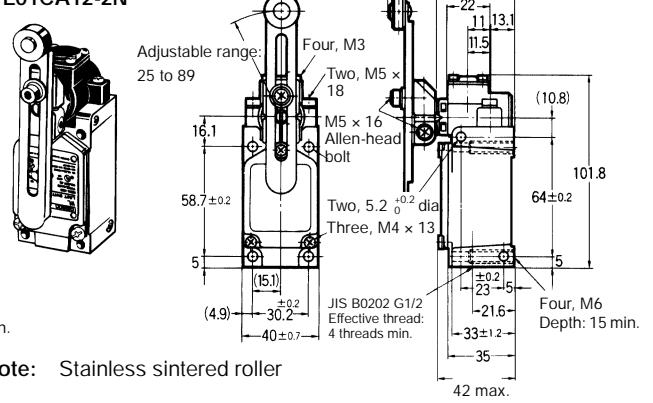
WLCA2-2N
WL01CA2-2N



Note: Stainless sintered roller

Adjustable Roller Lever

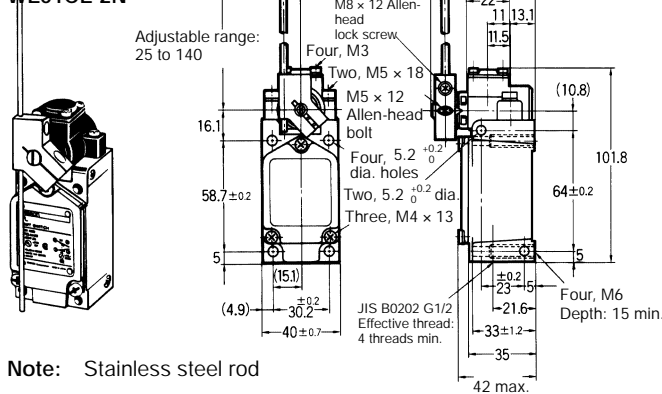
WLCA12-2N
WL01CA12-2N



Note: Stainless sintered roller

Adjustable Rod Lever

WLCL-2N
WL01CL-2N



Note: Stainless steel rod

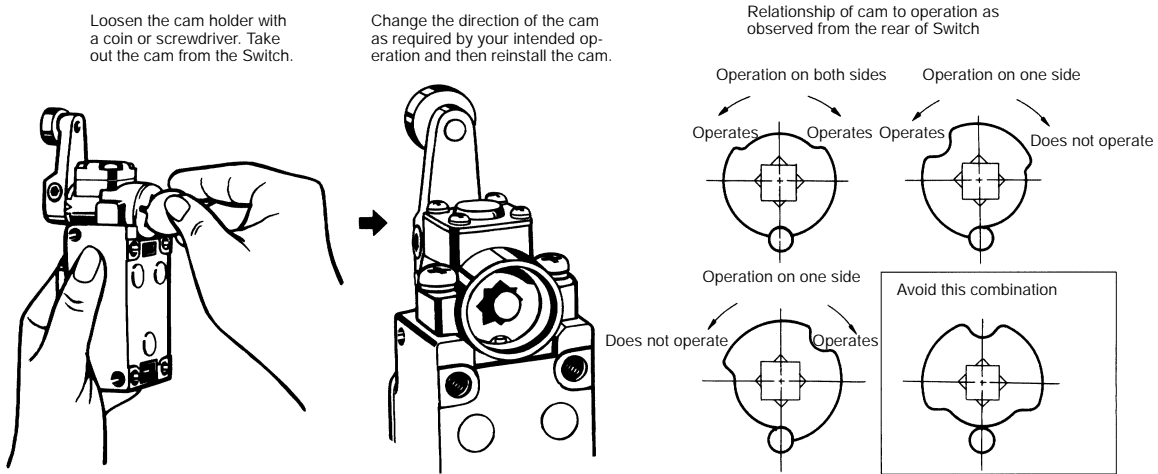
Operating characteristics	WLCA2-2N WL01CA2-2N	WLCA12-2N WL01CA12-2N (see note 1)	WLCL-2N WL01CL-2N (see note 2)
Operating force: OF max.	9.61 N	9.61 N	2.84 N
Release force: RF min.	1.18 N	1.18 N	0.25 N
Pretravel: PT max.	20°	20°	20°
Overtravel: OT min.	70°	70°	70°
Movement differential: MD max.	10°	10°	10°

- Note:** 1. The operating characteristics of WLCA12-2N and WL01CA12-2N are measured at the lever length of 38 mm.
 2. The operating characteristics of WLCL-2N and WL01CL-2N are measured at the rod length of 140 mm.

OF and RF for WLCA12-2N and WL01CA12-2N, with a lever length of 89 mm.

Operating characteristics	WLCA12-2N, WL01CA12-2N
OF	4.10 N
RF	0.50 N

Cam direction changing procedure



High-precision Models

The high-precision models feature a pretravel of 5° (as compared with 15° for the standard models) and a repeat accuracy twice as great as standard models. The high-precision models are ideal for positioning control of machine tools.

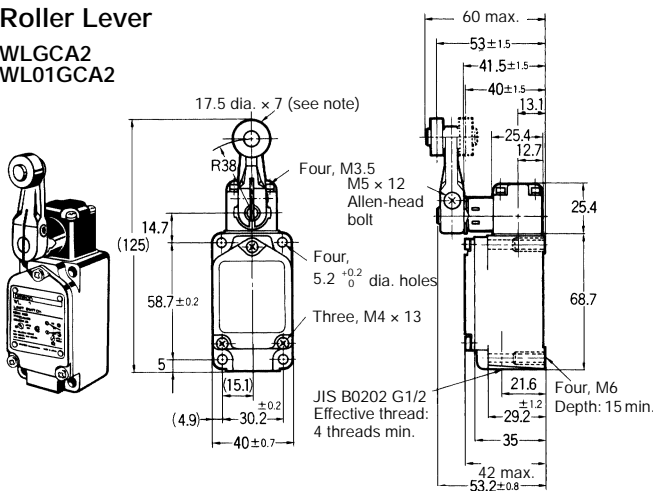
■ Dimensions/Operating Characteristics

For all models WLj indicates a standard model and WL01j indicates a microload model.

Note: Unless otherwise indicated, a tolerance of ±0.4 mm applies to all dimensions.

Roller Lever

WLGA2
WL01GA2



Note: Stainless sintered roller

Operating characteristics	WLGA2 WL01GA2
Operating force: OF max.	13.34 N
Release force: RF min.	1.47 N
Pretravel: PT	5° ⁺² / ₀
Overtravel: OT min.	40°
Movement differential: MD max.	3°

Connector Models

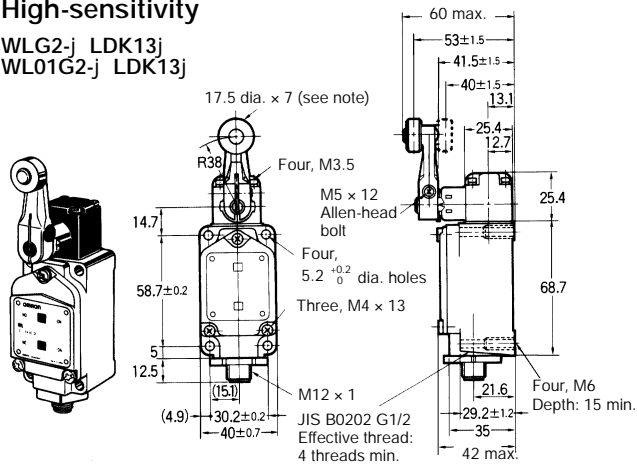
The connector models allow easy maintenance.

■ Dimensions/Operating Characteristics

Note: Unless otherwise indicated, a tolerance of ±0.4 mm applies to all dimensions.

High-sensitivity

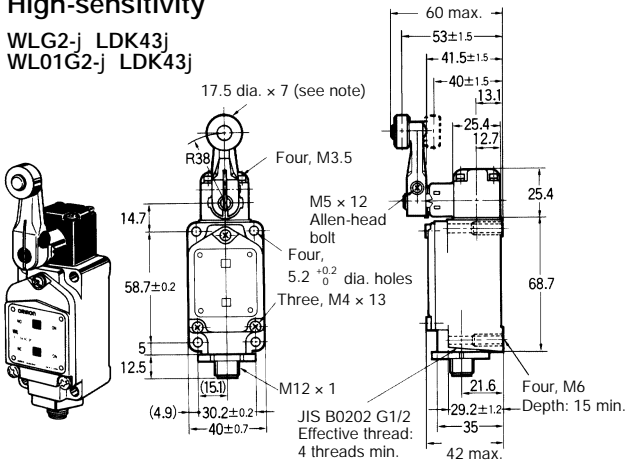
WLG2-j LDK13j
WL01G2-j LDK13j



Note: Stainless steel roller

High-sensitivity

WLG2-j LDK43j
WL01G2-j LDK43j



Note: 1. Stainless steel roller
2. The indicator is wired on the NO side.

Connector Pin Arrangement

Built in switch terminal No.	Pin NO.
3 (NO)	3
4 (NO)	4

Operating characteristics	WLG2-j LDK13j WL01G2-j LDK13j
Operating force: OF max.	9.81 N
Release force: RF min.	0.98 N
Pretravel: PT	10° ⁺² / ₋₁
Overtravel: OT min.	65°
Movement differential: MD max.	7°
Total travel	80°±5°

Connector Pin Arrangement

Built in switch terminal No.	Pin NO.
1 (NC)	1
1 (NC)	2
3 (NO)	3
4 (NO)	4

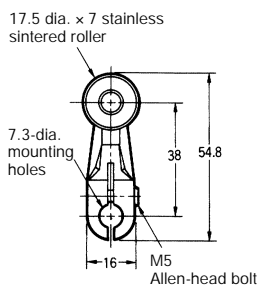
Operating characteristics	WLG2-j LDK13j WL01G2-j LDK13j
Operating force: OF max.	9.81 N
Release force: RF min.	0.98 N
Pretravel: PT	10° ⁺² / ₋₁
Overtravel: OT min.	65°
Movement differential: MD max.	7°
Total travel	80°±5°

Actuators

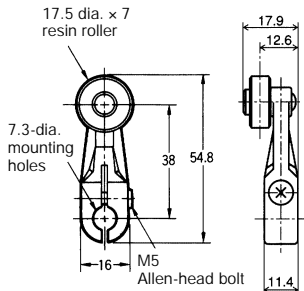
■ Dimensions (Levers Only)

Lever: Only rotating lever models are illustrated.

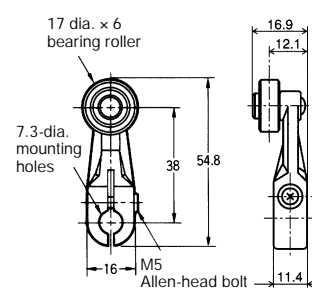
WL-1A100
Standard Lever



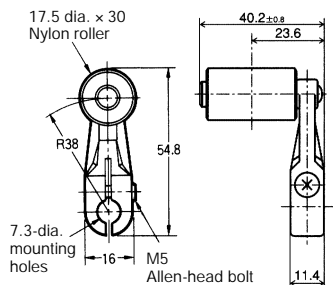
WL-1A115
Resin Roller



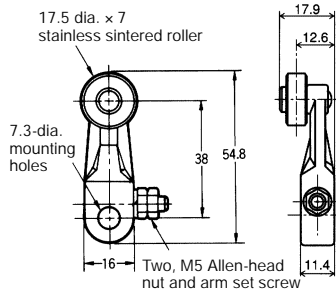
WL-1A400
Bearing Roller



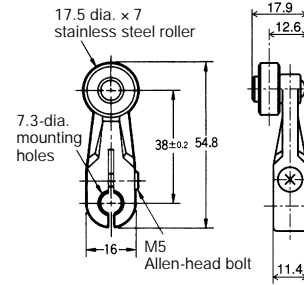
WL-1A118
Nylon Roller:
Roller Width: 30 mm



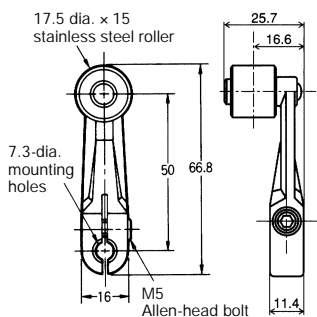
WL-1A105
Double Nut



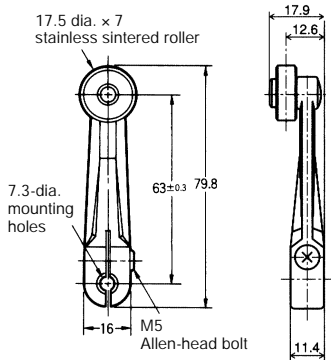
WL-1A103S
Spatter Prevention



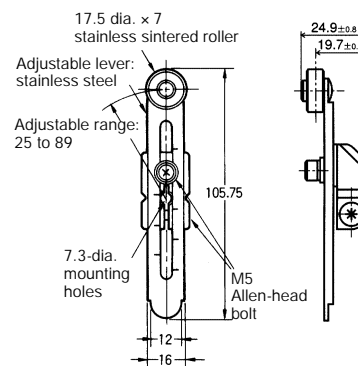
WL-1A200
Lever Length: 50
Roller Width: 15



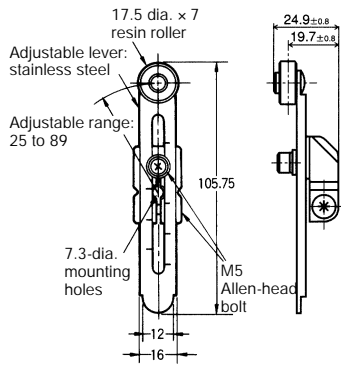
WL-1A300
Lever Length: 63



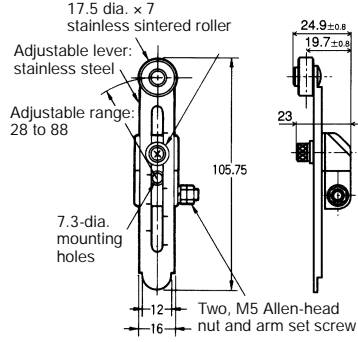
WL-2A100



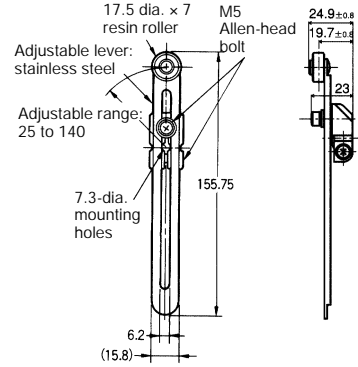
WL-2A111
Resin Roller



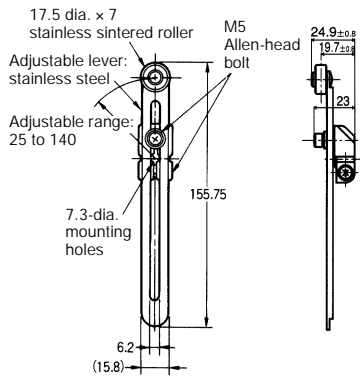
WL-2A107
Double Nut



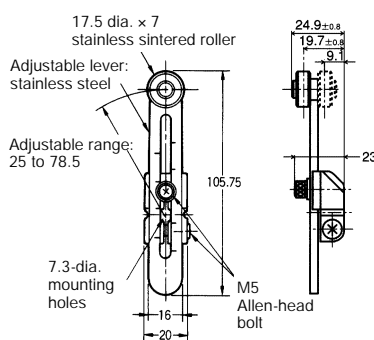
WL-2A108
Resin Roller



WL-2A122



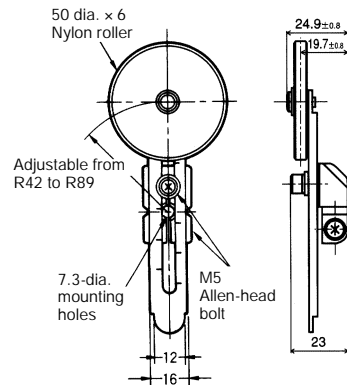
WL-2A106



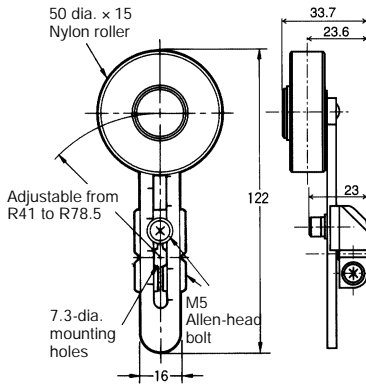
Note: Can be installed on the rear side.

Note: Unless otherwise indicated, a tolerance of ±0.4 mm applies to all dimensions.

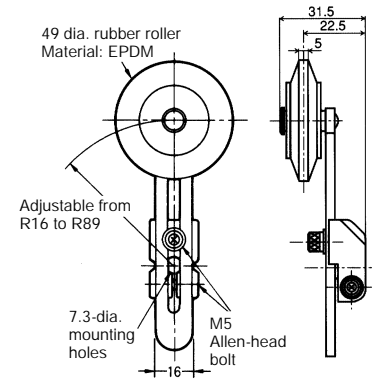
WL-2A104



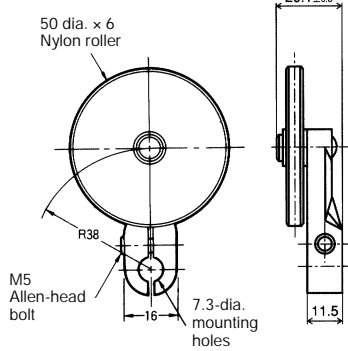
WL-2A110



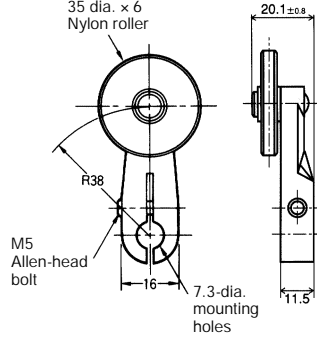
WL-2A105



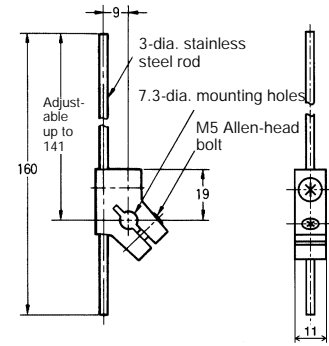
WL-1A106



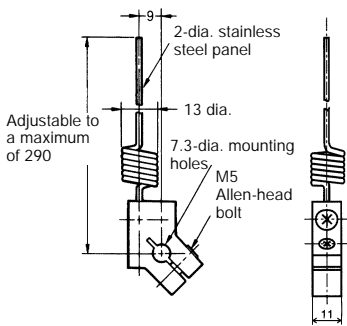
WL-1A110



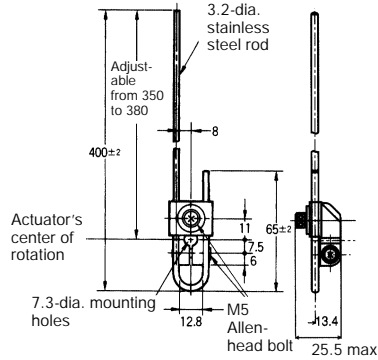
WL-4A100



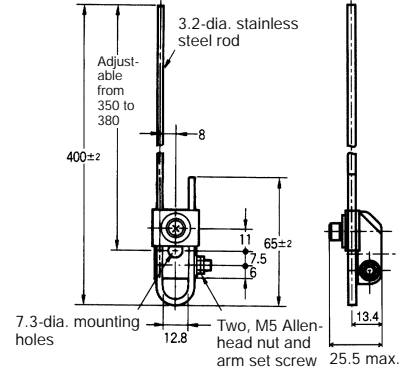
WL-4A201



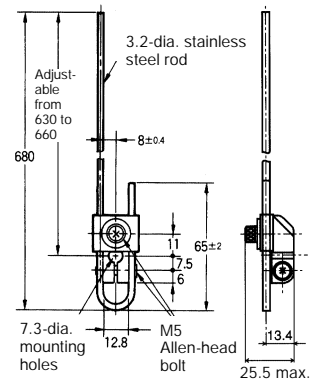
WL-3A100



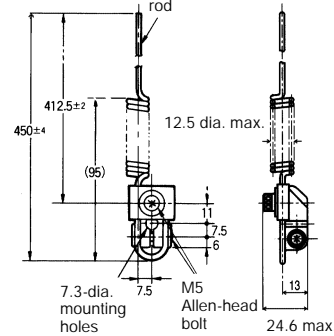
WL-3A106 Double Nut



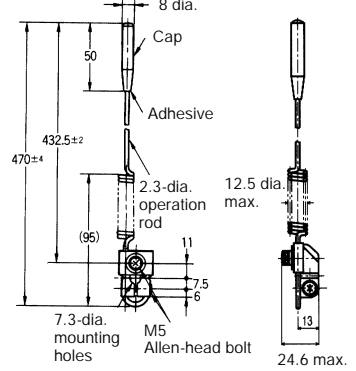
WL-3A108



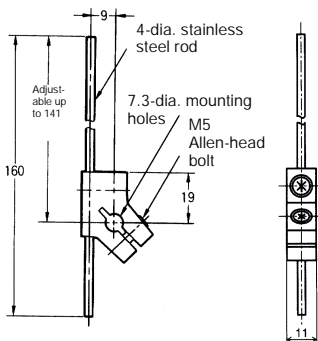
WL-3A200



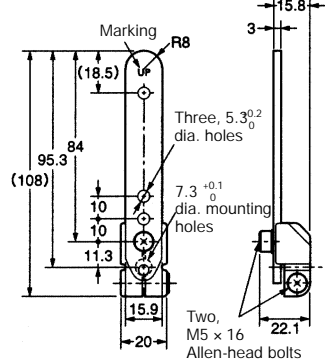
WL-3A203



WL-4A112

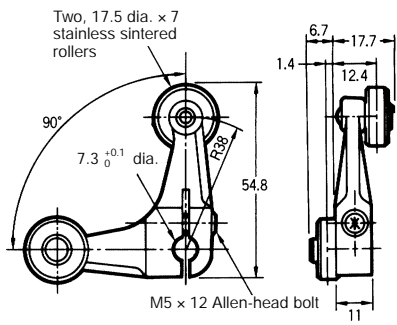


WL-2A129



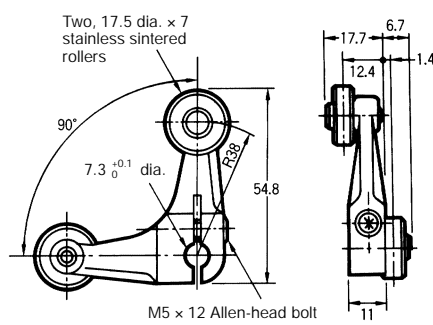
Note: When using the adjustable roller (rod) lever, make sure that the lever is facing downwards. Use caution, as telegraphing (the Switch turns ON and OFF repeatedly due to inertia) may occur.

WL-5A101



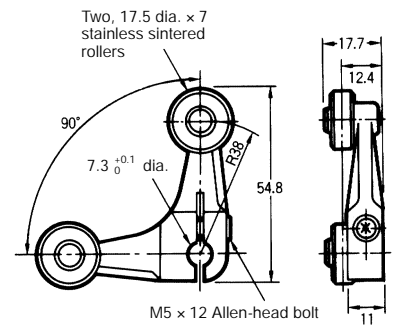
WL-5A100 has a plastic roller

WL-5A103










WL-5A102 has a plastic roller

WL-5A105



WL-5A104 has a plastic roller

■ **Head Models**

Actuators	Set model	Head model	Head model without lever
Roller lever 	WLCA2	WL-1H1100	WLRCA2
	WLGCA2	WL-1H1100-1 (see note)	WLRGCA2
	WLG2	WL-2H1100	WLRG2
	WLH2	WL-2H1100-1 (see note)	WLRH2
	WLCA2-2N	WL-6H1100	WLRCA2-2N
Adjustable roller lever 	WLCA12	WL-1H2100	WLRCA2
	WLG12	WL-2H2100	WLRG2
	WLH12	WL-2H2100-1 (see note)	WLRH2
	WLCA12-2N	WL-6H2100	WLRCA2-2N
Adjustable rod lever 	WLCL	WL-4H4100	WLRCL
	WGL	WL-2H4100	WLRG2
	WLCL-2N	WL-6H4100	WLRCA2-2N
Top plunger 	WLD	WL-7H100	---
	WLD2	WL-7H200	
	WLD3	WL-7H300	
	WLD28	WL-7H400	
Horizontal plunger 	WLS	WL-8H100	---
	WLS2	WL-8H200	
	WLS3	WL-8H300	
Fork lever lock 	WLCA32-41	WL-5H5100	WLRCA32
Coil spring 	WLNJ	WL-9H100	---
	WLNJ-30	WL-9H200	
	WLNJ-2	WL-9H300	
	WLNJ-S2	WL-9H400	

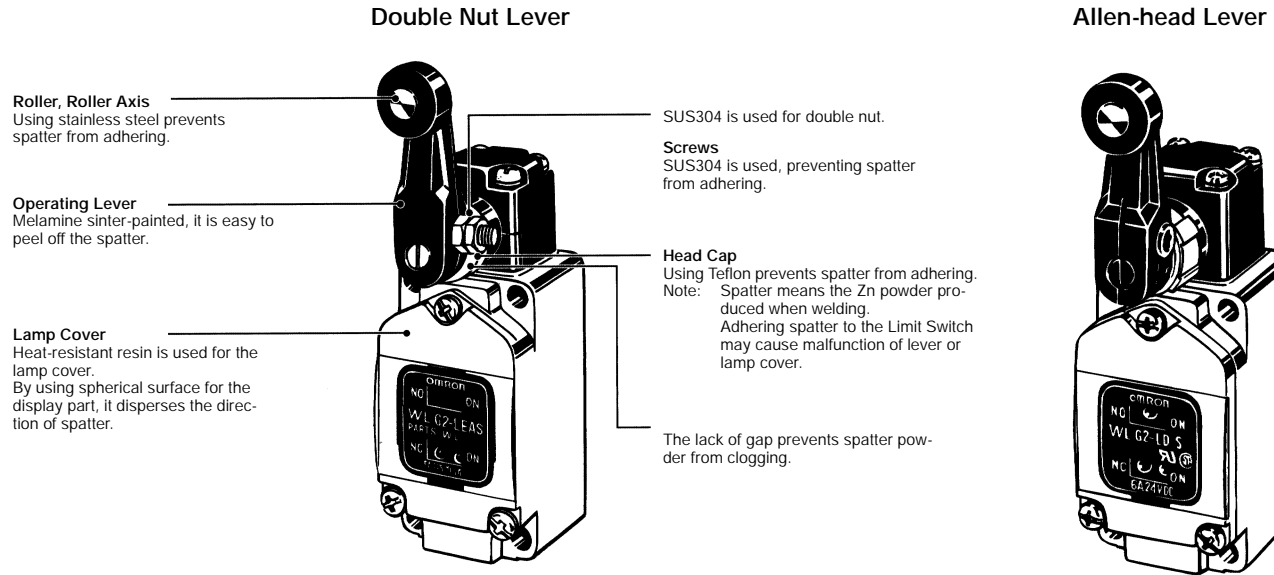
Note: For the model number of Heads without lever, simply remove the numbers after WL-j H. For example, WL-1H1100 becomes WL-1H. WLH2 and WLH12 however, become WL-2H-1, and WLGCA2 becomes WL-1H-1. Other Head models are available, but must be ordered separately.

Environment-resistant Models

Spatter-prevention Models

These models are most effective in an arc welding line or places where cutting powder is spattered.

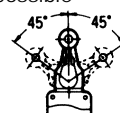
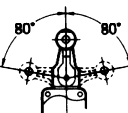
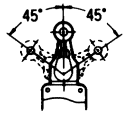
■ Nomenclature



■ List of Models

Rotating Lever Models


Standard Models

Type	Total travel (TT)	Actuators	Neon lamp		LED	
			125 VAC	250 VAC	10 to 115 VAC/DC	
			Approx. 0.6 mA	Approx. 1.9 mA	Approx. 1.0 mA	
Standard	One-side operation is possible 	Double nut lever	WLCA2-LEAS		WLCA2-LDAS	
		Allen-head lever	WLCA2-LES		WLCA2-LDS	
Overtravel	General	Double nut lever	WLH2-LEAS		WLH2-LDAS	
		Allen-head lever	WLH2-LES		WLH2-LDS	
	High-sensitivity	One-side operation is impossible 	Double nut lever	WLG2-LEAS		WLG2-LDAS
			Allen-head lever	WLG2-LES		WLG2-LDS
High-precision	One-side operation is possible 	Double nut lever	WLGCA2-LEAS		WLGCA2-LDAS	
		Allen-head lever	WLGCA2-LES		WLGCA2-LDS	

Note: Consult your OMRON representative for the microload WL01j models.

Plunger Models

Standard Models

Actuator	Neon lamp		LED
	125 VAC	250 VAC	10 to 115 VAC/DC
	Approx. 0.6 mA	Approx. 1.9 mA	Approx. 1.0 mA
Seal top-roller plunger 	WLD28-LES		WLD28-LDS

■ Ratings

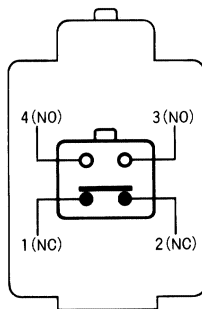
Model	Rated current	Non-inductive load				Inductive load			
		Resistive load		Lamp load		Inductive load		Motor load	
		NC	NO	NC	NO	NC	NO	NC	NO
WLCA2-LEj	125 VAC	10 A		3 A	1.5 A	10 A		5 A	2.5 A
WLH2-LEj	250 VAC	10 A		2 A	1 A	10 A		3 A	1.5 A
WLGCA2-LEj	125 VDC	0.8 A		0.2 A	0.2 A	0.8 A		0.2 A	0.2 A
WLG2-LEj	250 VDC	0.4 A		0.1 A	0.1 A	0.4 A		0.1 A	0.1 A
WLD28-LES	250 VDC	0.4 A		0.1 A	0.1 A	0.4 A		0.1 A	0.1 A
WLCA2-LDj	115 VAC	10 A		3 A	1.5 A	10 A		5 A	2.5 A
WLH2-LDj	12 VDC	10 A		6 A	3 A	10 A		6 A	
WLGCA2-LDj	24 VDC	6 A		4 A	3 A	6 A		4 A	
WLG2-LDj	48 VDC	3 A		2 A	1.5 A	3 A		2 A	

- Note:
1. The above figures are for standard currents.
 2. Inductive loads have a power factor of 0.4 min. (AC) and a time constant of 7 ms max. (DC).
 3. Lamp load has an inrush current of 10 times the steady-state current.
 4. Motor load has an inrush current of 6 times the steady-state current.

Inrush current	NC	30 A max.
	NO	20 A max.
Operating temperature	-10°C to 80°C (with no icing)	
Operating humidity	95% max.	

■ Contact Form

Standard Model



■ Approved Standard Ratings

UL/CSA

LE (Neon Lamp) A300

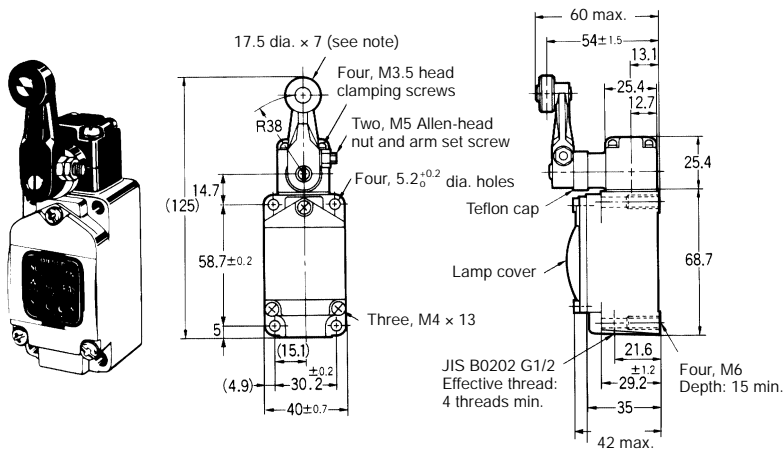
Rated voltage	Carry current	Current		Volt-amperes	
		Make	Break	Make	Break
120 VAC	10 A	60 A	6 A	7,200 VA	720 VA
240 VAC		30 A	3 A		

LD (LED)

Rated voltage	Carry current
115 VAC	10 A
115 VDC	0.8 A

■ Dimensions/Operating Characteristics

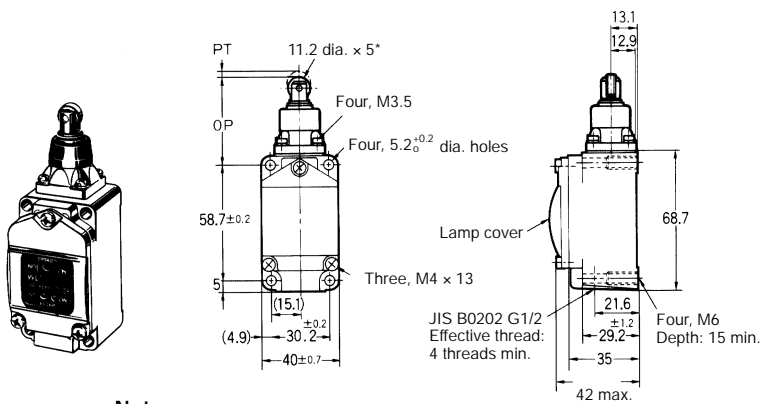
Roller Lever



Note: Stainless steel roller

Operating characteristics	Standard	Overtravel models		High-precision
		General	High-sensitivity	
Operating force: OF max.	13.34 N	9.81 N	9.81 N	13.34 N
Release force: RF min.	2.23 N	0.98 N	0.98 N	1.47 N
Pretravel: PT	15°±5°	15°±5°	10° ^{+2°} _{-1°}	5° ^{+2°} _{-0°}
Overtravel: OT min.	30°	55°	65°	40°
Movement differential: MD max.	12°	12°	7°	3°

Seal Top-roller Plunger



Note: Stainless steel roller






Operating characteristics	WLD28-Lj S
Operating force: OF max.	16.67 N
Release force: RF min.	4.41 N
Pretravel: PT max.	1.7 mm
Overtravel: OT min.	5.6 mm
Movement differential: MD max.	1 mm
Operating position: OP	44±0.8 mm
Total travel position: TTP max.	39.5 mm

Note: Unless otherwise indicated, a tolerance of ±0.4 mm applies to all dimensions.

■ Spatter-prevention Parts

All parts of the Switch have spatter-prevention properties, so be sure to use the following products for maintenance of Spatter-prevention Limit Switches.

Levers/Lamp-equipped Covers

Type	Without lever 	Complete Head (lever with Head) 	Double nut lever 	Allen-head lever 	Lamp-equipped cover 
Model	Add an "R" to the product number to order. E.g.: WLj CA2-LES	WL-1H1100S (in case of WLCA2-j , WLGCA2-j)	WL-1A105S (forward and backward lever)	WL-1A103S (forward and backward lever)	WL-LES (Neon Lamp)
		WL-2H1100S (in case of WLH2-j , WLG2-j)			WL-LDS (LED)

Switches Without Lever

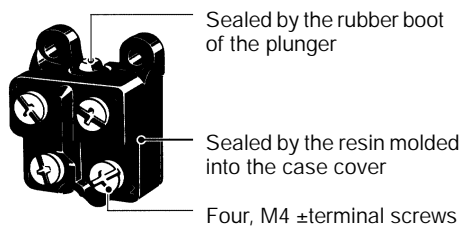
WLRCA2-LES, WLRCA2-LDS
 WLRH2-LES, WLRH2-LDS, WLRG2-LES
 WLRG2-LDS
 WLRGCA2-LES, WLRGCA2-LDS

Airtight, Hermetic Seal, Low-temperature, Heat-resistive, Corrosion-proof, and Weather-resistant Models

Using the general-purpose model, six types of environment-resistant models can be created to meet a variety of difficult operating conditions. Select the model most appropriate to your operating environment.

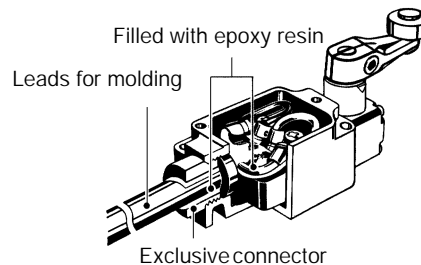
■ Nomenclature Example

Airtight Built-in Switch



Hermetic Seal Model

The lead wires are sealed to the Limit Switch with resin, providing a hermetically sealed construction.



■ Models

Type		Usage	Environment-resistant construction			Appropriate models	
WLj -55	Airtight seal	For use in locations subject to splashes of water and anti-coolant	Uses the W-10FB3-55 Airtight Built-in Switch. (See note 2.)			All models except the low-temperature and heat-resistive models. (See note 3.)	
WLj -139	Hermetic seal (molded terminals and anti-coolant models)		General-purpose built-in switch	Connection lead wires: Standard 5-m VCT (vinyl cabtire cable) cable attached. Finished diameter: 11.5 mm, 4-core.	The case cover and conduit opening are molded from epoxy resin. The cover cannot be removed.	All models except the low-temperature and heat-resistive models. (See note 4.)	
WLj -140			Hermetically-sealed built-in switch	Connection lead wires: Standard 5-m VCT cable, with high flexibility and good anti-oil properties attached. Finished diameter: 11.5 mm, 4-core.	The case cover, cover box and conduit opening are molded from epoxy resin. The cover cannot be removed (140, 141, RP40, and RP60). The Head opening is protected from cutting powder. (WLj -141)		
WLj -141					The connector can be removed, so it is possible to use flexible wires in the cable.		
WLj -RP40							Rubber parts are made from fluorine rubber.
WLj -RP60							
WLj -TC	Low-temperature	Can be used at a temperature of -40_C (The operating temperature range is -40_C to 40_C), but cannot withstand icing.	Uses the general-purpose built-in switch. Silicone rubber is used for rubber parts such as the O-ring, gasket, etc.			All models except airtight, hermetic, heat-resistive, corrosion-proof, or lamp-equipped models.	
WLj -TH	Heat-resistive	Can be used in temperatures of 120_C (The operating temperature range is 5_C to 120_C).	Uses a special built-in switch made from heat-resistant resin. Silicone rubber is used for rubber parts such as the O-ring, gasket etc.			All models except airtight, hermetic, low-temperature, corrosion-proof, lamp-equipped, nylon roller (WLCA2-26N), seal roller models, and resin rod (WLNJ-2) models.	
WLj -RP	Corrosion-proof	For use in locations subject to corrosive gases and chemicals.	Diecast parts such as the switch box are made of corrosion-proof aluminum. Rubber sealing parts are made of fluorine rubber which aids in resisting oil, chemicals and adverse weather conditions. Exposed nuts and screws (except the actuator section) are made of stainless steel. Moving and rotary parts such as rollers are made of sintered stainless steel or stainless steel.			All models except overtravel model (-2N), fork lever lock models (WLCA32-41 to -43), low-temperature, heat-resistive, and lamp-equipped models.	
WLj -P1	Outdoor specifications	For use in parking lots and other such outdoor locations.	Rubber parts are made from silicone rubber, which has a high-tolerance to deterioration over time, and changes in temperature. Rollers are made of stainless steel to improve corrosion resistance. Exposed nuts and screws are made of stainless steel.			Only the general-purpose overtravel models (WLH2/12), the overtravel high-sensitivity models (WLG2/12) and some standard models (e.g., WLCA2) can be used. Excluding heat-resistive models.	

- Note:**
1. Consult your OMRON representative for the microload WL01j models.
 2. Use the SC Connector for the conduit opening.
 3. The actuator can be created using the standard model.
 4. The actuator can be created using the standard model. For WL-j 141, only WLG2, WLCA2, and WLGCA2 can be used.

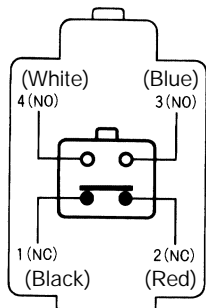
■ Dimensions/Operating Characteristics

The dimensions and operating characteristics are the same as general-purpose, environment-resistant models.

■ Ratings/Characteristics

See pages 7 to 10.

■ Contact Form



■ Approved Standard Ratings

Contact your OMRON representative for details of approved models.

■ Ordering Information

Use the following as a guide when ordering environment-resistant models.

E.g.: For a hermetic model of WLCA2

WLCA2 - 55
Standard Specifications No.

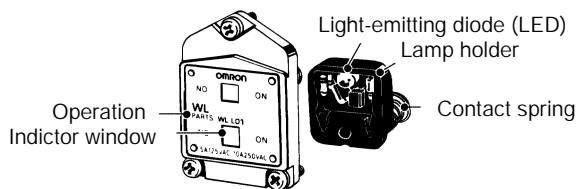
An additional catalog is available for outdoor specifications models.

Lamp-equipped Models

The operating status of the Switch can be checked using a neon lamp or LED indicator.

Circuit checks and troubleshooting errors are easy done.

The lamp-equipped models are ideal in locations using a conveyor belt where items need to be checked, or locations that are difficult to inspect for faults.

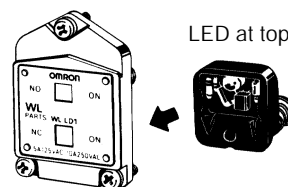


The built-in switch's terminal screws are used to connect the lamp terminal (indicator cover). Since the connection spring (coil spring) is used for this connection, it will not be necessary to connect to the lamp terminal. When a ground terminal is provided however, lead wire method must be used.

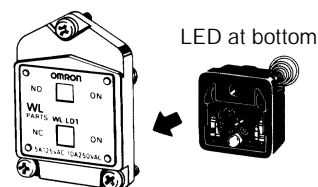
WL-LD has a built-in rectifier stack, so it will not be necessary to change the polarity.

The indicator cover is molded from diecast aluminum and has outstanding sealing properties. Furthermore, regardless of whether the power is connected or not, the operating status is shown (operating or not operating), and indicators can be switched from light-ON when operating and light-ON when not operating, by simply rotating the lamp holder by 180°. (Molded terminals do not have this switching capacity.)

Light-ON when Operating



Light-ON when Not Operating

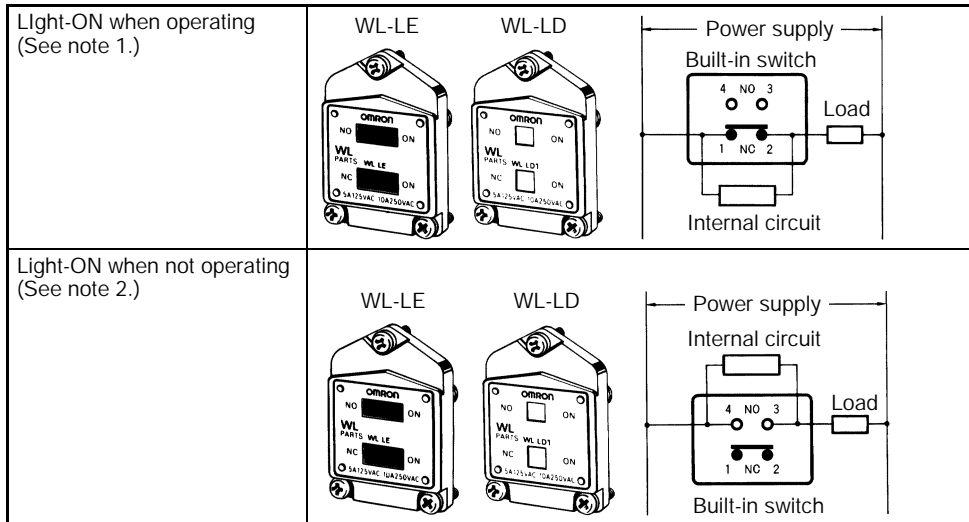


■ Models/Ratings

Operating characteristics	Rated voltage	Leakage current	Lamp-equipped Switch	Lamp-equipped cover only
Neon lamp	125 VAC	Approx. 0.6 mA	WLj -LE (see note 1.)	WL-LE
	250 VAC	Approx. 1.9 mA		
LED	10 to 115 VAC/VDC	Approx. 1 mA	WLj -LD (see note 1.)	WL-LD

- Note:**
1. In the model number, j indicates the actuator number. For example, CA2, D, NJ, etc.
 2. The default setting is "light-ON when not operating." Turn the lamp holder by 180° to change the setting to "light-ON when operating."

■ Operation



- Note:** 1. Light-ON when operating means that the lamp lights when the Limit Switch contacts (NC) release, or when the actuator rotates or is pushed down.
 2. Light-ON when not operating means the lamp remains lit when the actuator is free, or when the Limit Switch contacts (NO) close when the actuator rotates or is pushed down.

■ Ordering Information

When ordering general-purpose indicator-equipped models insert the specifications number at the end of the basic model number.

E.g.: When a neon lamp is installed in a General-purpose/Standard Roller Lever Switch (WLCA2).

<u>WLCA2</u>	<u>LE</u>
Standard	Lamp specifications

When ordering indicator-equipped molded terminal models, insert the specifications number at the end of the standard model number.

E.g.: When a Neon Lamp (WL-LE) is installed in a general-purpose molded terminal model (WLCA2-139).

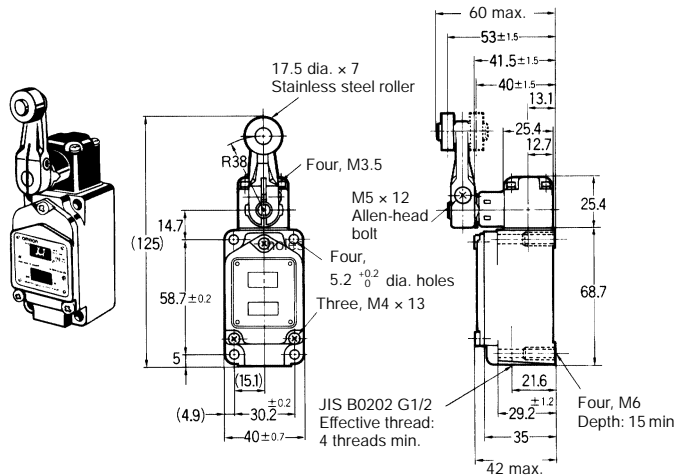
<u>WLCA2-139</u>	<u>LE</u>	<u>2</u>	
Standard	Lamp specifications	Lamp wiring	2: NC connection: Light-ON when operating 3: NO connection: Light-ON when not operating

Note: The indicator cover cannot be replaced on the molded terminals. In all cases the indicator does not light when the load is ON.

■ Dimensions/Operating Characteristics

Roller Lever

WLCA2-LE

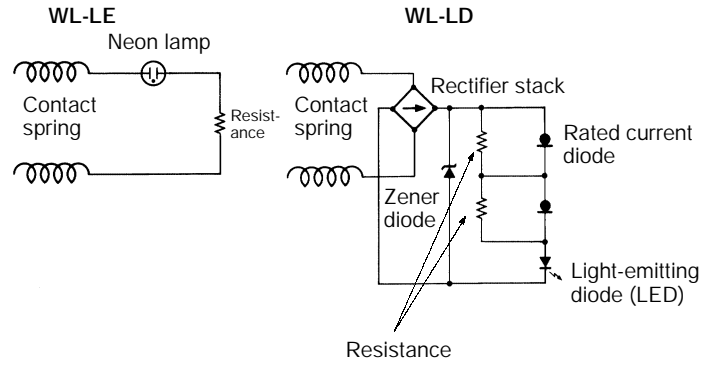


Note: Unless otherwise indicated, a tolerance of ± 0.4 mm applies to all dimensions.

OF max.	13.34 N
RF min.	2.23 N
PT	$15^{\circ} \pm 5^{\circ}$
OT min.	30°
MD max.	12°

Note: Stainless steel roller

■ Internal Circuits



Sensor I/O Connector Models

A reduction in the amount of wiring and parts makes maintenance easy and reduced wiring mistakes, in addition it's already compact size for fitting into areas of limited space.

Ordering Information

Item		Standard	Overtravel	High sensitivity
Actuators	Rotating lever	Yes	Yes	Yes
	Plunger	Yes	---	---
Load	Standard load (SPST-NO/SPST-NC)	Yes		
	Microload (SPST-NO/SPST-NC)	Yes		
High-precision models WL-j 55		Yes		
Spatter-prevention models (See note 3.)		Yes		
Lamp		Yes		

- Note:**
- Standard Models: For standard models only one-side operation at an angle of 45_ is possible.
Overtravel Models: Only one-side operation at an angle of 80_ is possible. One-side operation only is not possible.
High-precision Models: Only one-side operation at an angle of 45_ is possible, and pretravel (PT) is 5_, as opposed to 15_ for standard models.
 - For information other than that listed at the above, contact your OMRON representative.
 - The spatter-prevention models are only available as pre-wired connectors.

Models

Direct-wired Connectors

Type	2-core (NO)	4-core
Lamp-equipped	WLj -LDK13	WLj -LDK43
Double-seal	WLj -55LDK13	WLj -55LDK43

- Note:**
- In the model number, j indicates the actuator number. For example, Overtravel Model WLG2-LDK13.
 - The lamp is set to "light-ON when not operating" (NO connection).

Pre-wired Connectors

Type	2-core (NO)	2-core (NC)	4-core	3-core (NO)
Lamp-equipped	WLj -LD-M1J	WLj -LD-M1JB	WLj -LD-DGJ03	WLj -LD-DK1EJ03
Double-seal	WLj -55LD-M1J	WLj -55LD-M1JB	WLj -55LD-DGJ3	WLj -55LD-DK1EJ03

- Note:**
- In the model number, j indicates the actuator number. For example, Overtravel Model WLG2-LD-M1J.
 - The lamp is set to "light-ON when not operating" (NO connection).

Model Number Legend

WL - - LD
 1 2 3 4

1. Electrical Rating

Blank: Standard
01: Microload

2. Actuator Type

CA2: Roller lever: Standard
GCA2: Roller lever: High-precision
H2: Roller lever: Overtravel, general-purpose
G2: Roller lever: Overtravel, high-sensitivity
D2: Plunger: Top-roller plunger
D28: Plunger: Top-roller plunger, sealed

3. Built-in Switch Type

Blank: Standard
55: Hermetically sealed

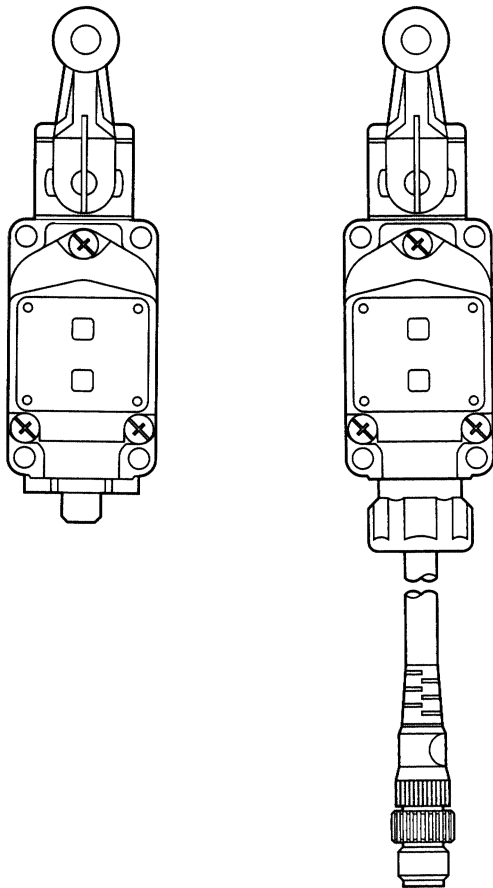
4. Wiring Specifications

K13A: Direct-wired Connector
(2-core: AC, NO wiring, connector pins No. 3, 4)
K13: Direct-wired Connector
(2-core: DC, NO wiring, connector pins No. 3, 4)
K43A: Direct-wired Connector (4-core: AC)
K43: Direct-wired Connector (4-core: DC)
-M1J: Pre-wired Connector*
(2-core: DC, NO wiring, connector pins No. 3, 4)
-M1GJ: Pre-wired Connector*
(2-core: DC, NO wiring, connector pins No. 1, 4)
-M1JB: Pre-wired Connector*
(2-core: DC, NC wiring, connector pins No. 3, 2)
-AGJ03: Pre-wired Connector* (4-core, AC)
-DGJ03: Pre-wired Connector* (4-core, DC)
-DK1EJ03: Pre-wired Connector*
(3-core: DC, NO wiring, connector pins No. 2, 3, 4)

Note: *With 0.3-m cable attached.

Direct-wired Connector

Pre-wired Connector



Spatter-prevention Models

WL - - S
 1 2 3 4 5

1. Electrical Rating

Blank: Standard
 01: Microload

2. Actuator Type

CA2: Roller lever: Standard
 GCA2: Roller lever: High-precision
 H2: Roller lever: Overtravel, general-purpose
 G2: Roller lever: Overtravel, high-sensitivity
 D28: Plunger: Top-roller plunger, sealed

3. Built-in Switch Type

Blank: Standard
 55: Hermetically sealed

4. Indicator Lamp

Blank: None
 LD: LED indicator lamp (AC/DC common)
 LE: Neon Lamp

5. Wiring Specifications

-M1J-1: Pre-wired Connector*
 (2-core: DC, NO wiring, connector pins No. 3, 4)
 -M1GJ-1: Pre-wired Connector*
 (2-core: DC, NO wiring, connector pins No. 1, 4)
 -DGJS03: Pre-wired Connector* (4 core, DC)

Note: *With 0.3-m cable attached.

■ Wiring Specifications

Direct-wired Connector				Pre-wired Connector									
2-core		4-core		2-core						4-core		3-core	
K13 (DC) K13A (AC)		K43 (DC) K43A (AC)		M1J (DC)		M1GJ (DC)		M1JB (DC)		DGJ03 (DC) AGJ03 (AC)		DK1EJ03 (DC)	
Built-in switch	Connector	Built-in switch	Connector	Built-in switch	Connector	Built-in switch	Connector	Built-in switch	Connector	Built-in switch	Connector	Built-in switch	Connector
1 (NC)	---	1 (NC)	1	1 (NC)	---	1 (NC)	---	1 (NC)	3	1 (NC)	1	1 (NC)	---
2 (NC)	---	2 (NC)	2	2 (NC)	---	2 (NC)	---	2 (NC)	2	2 (NC)	2	2 (NC)	2
3 (NO)	3	3 (NO)	3	3 (NO)	3	3 (NO)	1	3 (NO)	---	3 (NO)	3	3 (NO)	3
4 (NO)	4	4 (NO)	4	4 (NO)	4	4 (NO)	4	4 (NO)	---	4 (NO)	4	4 (NO)	4

■ Ratings

General-purpose Ratings (Lamp-equipped)

Type	Rated voltage	Non-inductive load				Inductive load			
		Resistive load		Lamp load		Inductive load		Motor load	
		NC	NO	NC	NO	NC	NO	NC	NO
For DC	12 VDC	1 A	1 A	1 A	1 A	1 A	1 A	1 A	1 A
	24 VDC	1 A	1 A	1 A	1 A	1 A	1 A	1 A	1 A
	48 VDC	1 A	1 A	1 A	1 A	1 A	1 A	1 A	1 A
	115 VDC	0.8 A	0.8 A	0.2 A	0.2 A	0.8 A	0.8 A	0.2 A	0.2 A
For AC	115 VAC	1 A	1 A	1 A	1 A	1 A	1 A	1 A	1 A

- Note:
1. The above figures are for standard currents.
 2. Inductive loads have a power factor of 0.4 min. (AC) and a time constant of 7 ms max. (DC).
 3. Lamp load has an inrush current of 10 times the steady-state current.
 4. Motor load has an inrush current of 6 times the steady-state current.

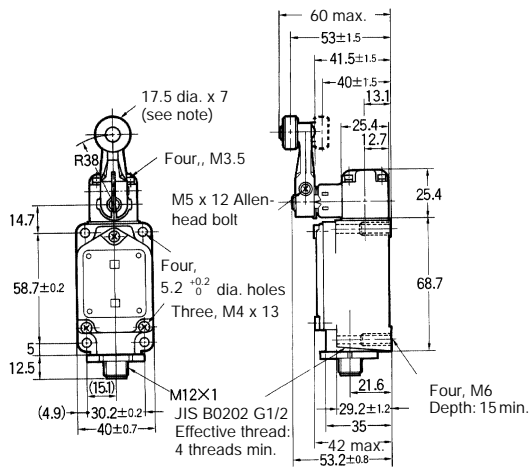
■ Dimensions

Roller Lever Models

Standard Model (WLCA2), High-precision Model (WLGA2), Overtravel Model (WLH2), and Overtravel High-sensitivity Model (WLG2)

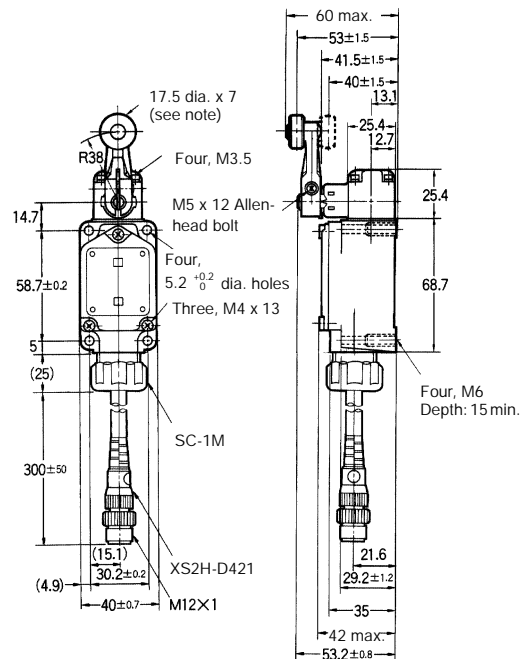
- Note:
1. For the WLG2 model, only the dimensions for the set position marker plate change.
 2. Unless otherwise indicated, a tolerance of ±0.4 mm applies to all dimensions.
 3. The above diagram is for a lamp-equipped model.

Direct-wired Connector Models



Note: Stainless sintered roller

Pre-wired Connector Models



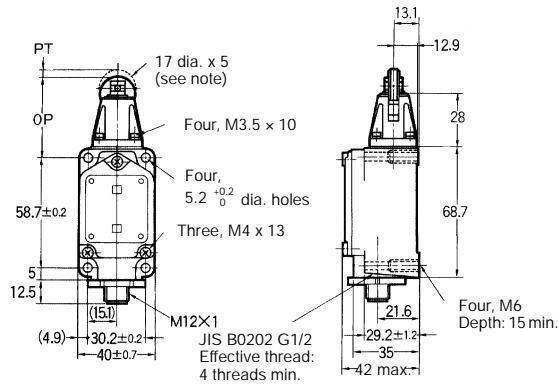
Operating characteristics	Roller lever/Standard model	Roller lever/High precision model	Roller lever/Overtravel model	Roller lever/Overtravel high sensitivity model
Operating force: OF max.	13.34 N	13.34 N	9.81 N	9.81 N
Release force: RF min.	2.23 N	1.47 N	0.98 N	0.98 N
Pretravel: PT	15±5°	5° ^{+2°} / _{0°}	15±5°	10° ^{+2°} / _{0°}
Overtravel: OT min.	30°	40°	55°	65°
Movement differential: MD max.	12°	3°	12°	7°

Top-roller Plunger

WLD2

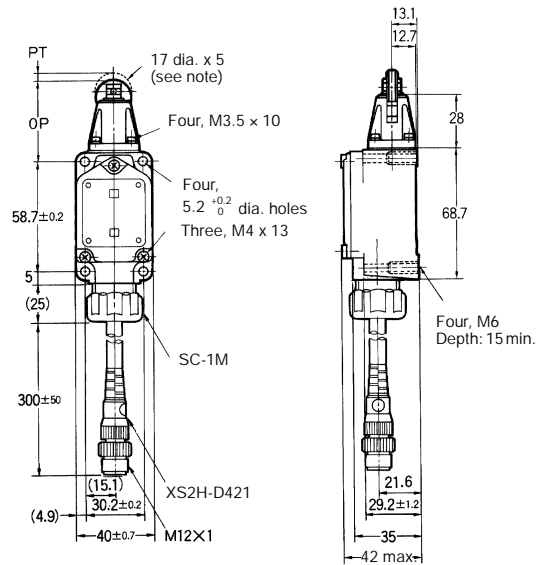
- Note:** 1. Unless otherwise indicated, a tolerance of ± 0.4 mm applies to all dimensions.
 2. The above diagram is for a lamp-equipped model.

Direct-wired Connector Models



Note: Stainless sintered roller

Pre-wired Connector Models



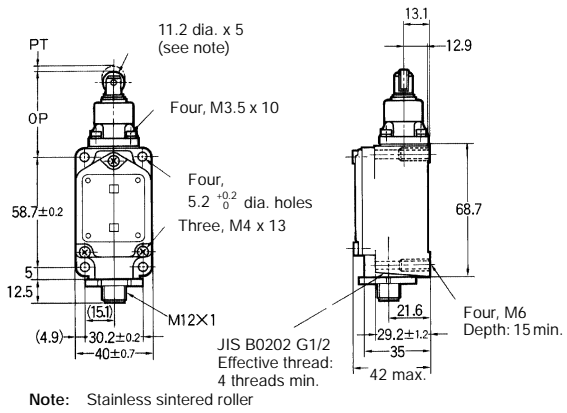
Operating characteristics	Top-roller plunger actuator
Operating force: OF max.	26.67 N
Release force: RF min.	8.92 N
Pretravel: PT max.	1.7 mm
Overtravel: OT min.	5.6 mm
Movement differential: MD max.	1 mm
Operating position: OP	44 ± 0.8 mm
Total travel position: TTP max.	39.5 mm

Sealed Top-roller Plunger

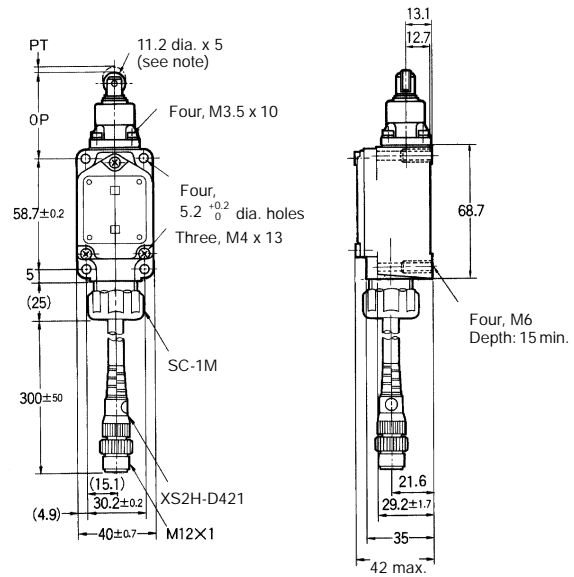
WLD28

- Note:** 1. Unless otherwise indicated, a tolerance of ± 0.4 mm applies to all dimensions.
 2. The above diagram is for a lamp-equipped model.

Direct-wired Connector Models

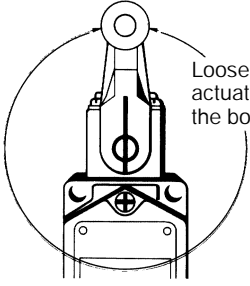
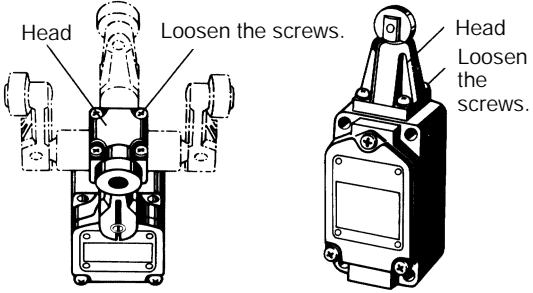
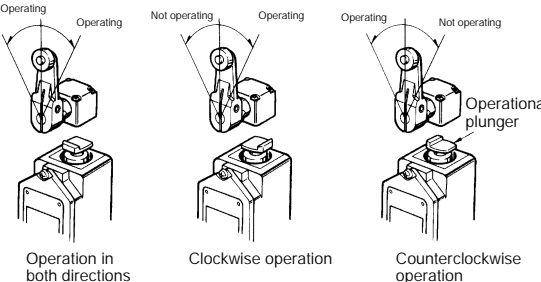
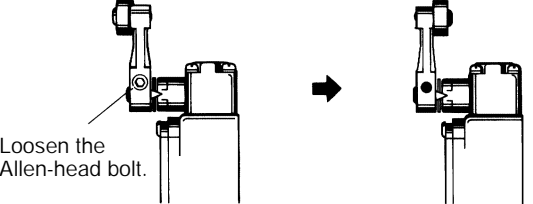


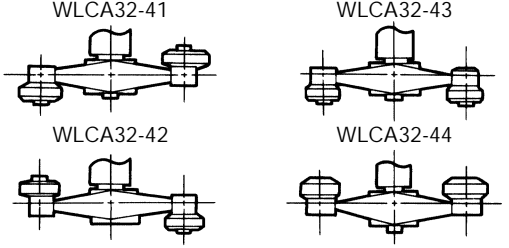
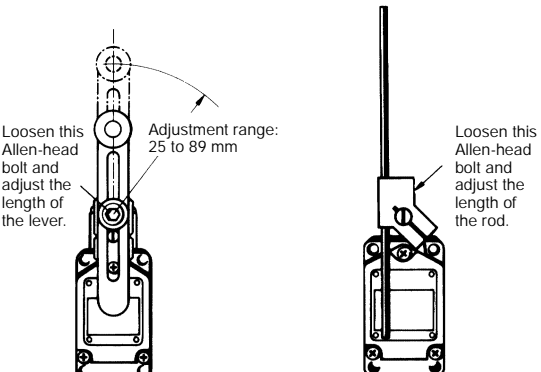
Pre-wired Connector Models



Operating characteristics	Sealed top-roller plunger actuator
Operating force: OF max.	16.67 N
Release force: RF min.	4.41 N
Pretravel: PT max.	1.7 mm
Overtravel: OT min.	5.6 mm
Movement differential: MD max.	1 mm
Operating position: OP	44 ± 0.8 mm
Total travel position: TTP max.	39.5 mm

■ Application Variations

Item	Appropriate model/actuator	Details
<p>Changing the installation position of the actuator</p> <p>By loosening the Allen-head bolt on the actuator lever, the position of the actuator can be set anywhere within the 360°. With Lamp-equipped Switches, the actuator lever comes in contact with the top of the lamp cover, so use caution when rotating and setting the lever. When the lever only moves forwards and backwards, it will not contact the lamp cover.</p>	<p>Roller Levers: WLCA2, WL01CA2, WLH2, WL01H2, WLG2, WL01G2</p> <p>Adjustable Roller Levers: WLCA12, WL01CA12, WLH12, WL01H12, WLG12, WL01G12</p> <p>Adjustable Rod Levers: WLCL, WL01CL, WLHL, WL01HL, WLGL, WL01GL</p>	 <p>Loosen the M5 x 12 bolt, set the actuator's position and then tighten the bolt again.</p>
<p>Changing the orientation of the Head</p> <p>By removing the screws in the four corners of the Head, the Head can be set in any of the four directions. Be sure to change the plunger for internal operations at the same time. (The operational plunger does not need to be changed on overtravel general-purpose and high-sensitivity models.) The roller plunger can be set in either two positions at 90°. WLCA2-2N and WL01CA2-2N can only be set in either the forward or backward direction.</p>	<p>Roller Levers: WLCAj , WL01CAj , WLGCAj</p> <p>Adjustable Rod Levers: WLCL, WL01CL</p> <p>Horizontal Plungers: WLSdj , WL01SDj</p> <p>Roller Plungers: WLD2, WL01D2</p> <p>Sealed Roller Plungers: WLD28, WL01D28.</p> <p>Note: Does not include -RP60 Series or -141 Series.</p>	 <p>Head Loosen the screws.</p> <p>Head Loosen the screws.</p>
<p>Changing the operating direction</p> <p>By removing the Head on models which can operate on one-side only, and then changing the direction of the operational plunger, one of three operating directions can be selected. In the case of overtravel models, as noted on page 20, by loosening the rubber holder using either a coin or a flat-blade screwdriver, and changing the direction of the internal rubber section, one of three operating directions can be selected.</p> <p>The tightening torque for the screws on the Head is 0.78 to 0.88 N S m. (8 to 9 kg S cm)</p>	<p>Roller Levers: WLCAj , WL01CAj</p> <p>Adjustable Roller Levers: WLCA12, WL01CA12</p> <p>Adjustable Rod Levers: WLCL, WL01CL</p> <p>Overtravel Models: WLCAj -2N, WL01CAj -2N</p> <p>Note: The diagram at the right is not correct for the overtravel -2N models.</p>	<p>The output of the Switch will be changed, regardless of which direction the lever is pushed.</p> <p>The output of the Switch will only be changed when the lever is pushed in one direction.</p>  <p>Operating Not operating Operating Not operating</p> <p>Operational plunger</p> <p>Operation in both directions Clockwise operation Counterclockwise operation</p> <p>For details on overtravel -2N models, refer to page 19.</p>
<p>Installing the roller on the inside</p> <p>By installing the roller lever in the opposite direction, the roller can be installed on the inside. (Set so that operation can be completed within a 180° level range.)</p>	<p>Roller Levers: WLCAj , WL01CAj , except for the adjustable roller levers.</p> <p>Fork Lever Locks: WLCA32-4j , WL01CA32-4j</p>	 <p>Loosen the Allen-head bolt.</p>

Item	Appropriate model/actuator	Details
<p>Selecting the roller position</p> <p>There are four types of fork lever lock for use depending on the roller position.</p>	<p>Fork Lever Locks: WLCA32-4j , WL01CA32-4j</p>	
<p>Adjusting the length of the rod or lever</p> <p>The length of the rod or lever can be adjusted by loosening the Allen-head bolt.</p>	<p>Adjustable Roller Levers: WLCA12, WL01CA12 etc.</p> <p>Adjustable Rod Levers: WLCL, WL01CL etc.</p>	<p>WLCA12 etc.</p>  <p>Loosen this Allen-head bolt and adjust the length of the lever.</p> <p>Adjustment range: 25 to 89 mm</p> <p>Loosen this Allen-head bolt and adjust the length of the rod.</p>

Precautions

Cautions

When a rod or wired-type actuator is used, do not touch the top end of the actuator. Doing so may result in injury.
 Applicable models: WLHAL5 and WL01HAL5 Rod Spring Levers and WLNJ-S2 and WL01NJ-S2 Steel-wire Actuators.

Correct Use

A short-circuit may cause damage to the Switch, so insert a circuit breaker fuse, of 1.5 to 2 times the rated current, in parallel with the Switch. In order to meet EN approval ratings, use a 10-A fuse that corresponds to IEC269, either a gI or gG.

When wiring terminal screws, use M4 round crimp terminals and tighten screws to the recommended torque. Wiring with broken wires, or the incorrect crimp terminals, or not tightening screws to the recommended torque can lead to short-circuits, leakage current, and fire.

When performing internal wiring there is a chance of short-circuit, leakage current, or fire, so be sure to protect the inside of the Switch from splashes of oil or water, corrosive gases, and cutting powder.

Using an inappropriate connector or assembling Switches incorrectly (assembly, tightening torque) can result in malfunction, leakage current, or fire, so be sure to read the instruction manual thoroughly beforehand.

Even when the connector is assembled and set correctly, the end of the cable and the inside of the Switch may come in contact. This can lead to malfunction, leakage current, or fire, so be sure to protect the end of the cable from splashes of oil or water and corrosive gases.

Environmental Precautions

When the Switch is used in locations subject to splashes of water or oil, the material of the seal, which ensures the sealing properties of the Switch, may undergo changes in shape and quality. This is due to deterioration (including expansion and contraction), and may result in reduced performance, ineffective return, and ineffective sealing (leading to ineffective contact, insulation, leakage current, and fire). Confirm the possible effects of the operating environment on the Switch before use.

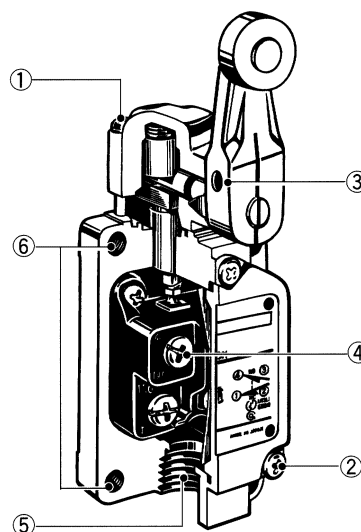
Built-in Switch

Do not remove or replace the built-in switch. If the position of the built-in switch moves, it can cause reduced performance, and if the insulation sheet moves (separator), the insulation may become ineffective.

Correct Tightening Torque

If screws are too loose they can lead to an early malfunction of the Switch, so ensure that all screws are tightened using the correct torque.

No.	Type	Torque
A	Head mounting screw	0.78 to 0.88 N S m
B	Cover mounting screw	1.18 to 1.37 N S m
C	Allen-head bolt (for securing the lever)	4.90 to 5.88 N S m
D	Terminal screw	0.59 to 0.78 N S m
E	Connector	1.77 to 2.16 N S m
F	Main Unit screws	4.90 to 5.88 N S m



In particular, when changing the direction of the Head, make sure that all screws are tightened again to the correct torque. Do not allow foreign objects to fall into the Switch.

Installing the Switch

To install the Switch, make a mounting panel, as shown in the following diagram, and tighten screws using the correct torque.

Standard/Overtravel model	Overtravel model (side installation)
<p>Mounting holes</p> <p>Four, 5.2^{+0.2}/₀ dia. holes</p>	<p>Mounting holes</p> <p>Two, 5.2^{+0.2}/₀ dia. holes</p>

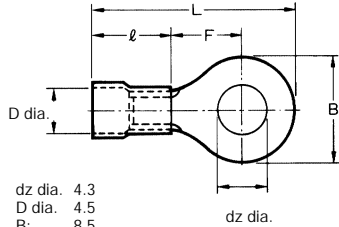
Connectors

Either the easy-to-use Allen-head nut or the SC Connector can be used as connectors. To ensure high-sealing properties, use the SC Connector. (Refer to pages NO TAG to NO TAG.) (SC-1M to -5M and others.)

Wiring

Use 1.25-mm lead wires and M4-insulation covered crimp terminals for wiring.

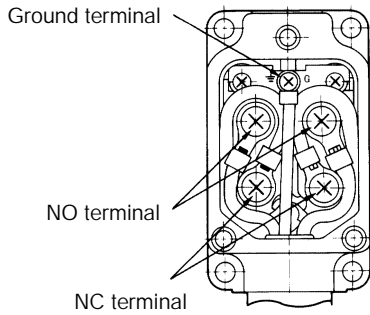
Crimp Terminal External Dimensions



dz dia.	4.3
D dia.	4.5
B:	8.5
L:	21.0
F:	7.8
l:	9.0 (mm)

Wiring Method

Switch Box Section



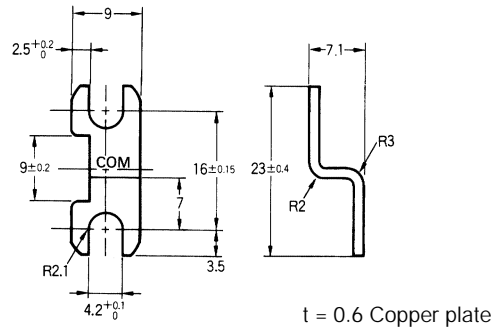
Note: The ground terminal is only installed on models with ground terminals.

Rotating Lever Set Position

All rotating lever models, except the fork lever lock, have a set position marker plate. (See page 7.) After operation, set the indicator needle on the marker plate so that is in the convex section of the bearing.

Terminal Plate

By using a short circuit plate, as shown in the following diagram, the Switch can be fabricated into a single-polarity double-break model. When ordering specify WL Terminal Plate (product code: WL-9662F).



ALL DIMENSIONS SHOWN ARE IN MILLIMETERS.
 To convert millimeters into inches, multiply by 0.03937. To convert grams into ounces, multiply by 0.03527.

X-ON Electronics

Largest Supplier of Electrical and Electronic Components

Click to view similar products for [Limit Switches](#) category:

Click to view products by [Omron](#) manufacturer:

Other Similar products are found below :

[6LS2-4PG](#) [5ML1-E1](#) [5ML31](#) [LZG1](#) [LZL1-6C](#) [622EN114-R](#) [622EN18-6](#) [622EN224-6B](#) [622EN230](#) [622EN237-R](#) [622EN69-3](#) [622EN85-RB](#)
[MA-10019](#) [6PA109](#) [7LS51](#) [83547001](#) [83725002](#) [83830001](#) [83840001](#) [83840701](#) [83841001](#) [83870104](#) [83881140](#) [8AS42](#) [8LS10](#) [8LS125-](#)
[4PG](#) [8LS152-4PGN20](#) [914CE16-3A](#) [914CE3-3L1](#) [915PA10](#) [91MCE16-P2O](#) [924CE16-Y3](#) [924CE1-S6](#) [924CE1-T25A](#) [924CE1-T3](#) [924CE1-](#)
[T9A](#) [924CE2-T9](#) [924CE31-Y20-X5](#) [924CE31-Y3L1](#) [GL-10054](#) [GL-85710](#) [GL-85714](#) [GLAB26J2B](#) [GLDB03C-6](#) [GLZ324](#) [PS21R-](#)
[NT11N7-YK0](#) [D4A-1106N](#) [D4A-3E02N](#) [D4A-4510N](#) [D4A-4516N](#)