

LE/LES

Signal Tower



LED



85dB at 1m
(LE-FB type)

∅50

IP54
(Pole-mount type IP23)

NPN/PNP
Open collector

LES-A

LE



Reflection system



High visibility from any direction

Versatile, cost and energy efficient LED Signal Tower for every need.

- PATLITE's Exclusive Hybrid Prism Cut Lens: For enhanced visibility from any direction and distance.
- Original Dual Reflection System: For enhanced light diffusion, creating bright distinctive illumination while saving energy (Patent Pending).
- Built-in Alarms (FB Type): 2 selectable sound patterns with adjustable volume up to 85dB at 1m.
- Installation: Direct or pole mount
- Color-coordinated Wiring: Corresponds to the lens colors for quick wiring verification.
- Interchangeable LED Modules: No re-wiring even after installation for LE model. The LED module of LES-A cannot be added, removed or interchanged.
- Main Body: ABS resin with superior resistance to impact and heat.
- Lens: Superior impact resistant and light translucent AS resin.
- NPN/PNP Compatible: Except LE 100/220V AC, compatible with NPN only.
- Available Colors: Red, Amber, Green, Blue, Clear.

Available by Special Order

- LES 24V: IP65 for direct mount and IP54 for pole mount types.
- UL type (E215660).

Interchangeable LED modules

- Changeable color sequence: Easy to add / remove up to 5 colored modules even after installation.
- Note: LED modules of the same color will light up simultaneously.

The wiring remains the same

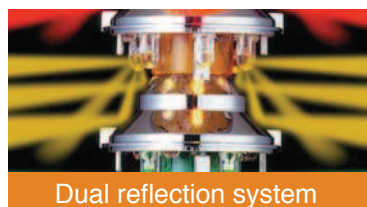
Each color of LED module corresponds to the lead wire color.



Easy to add and remove

If the number of LED module is changed, center shaft must be purchased.

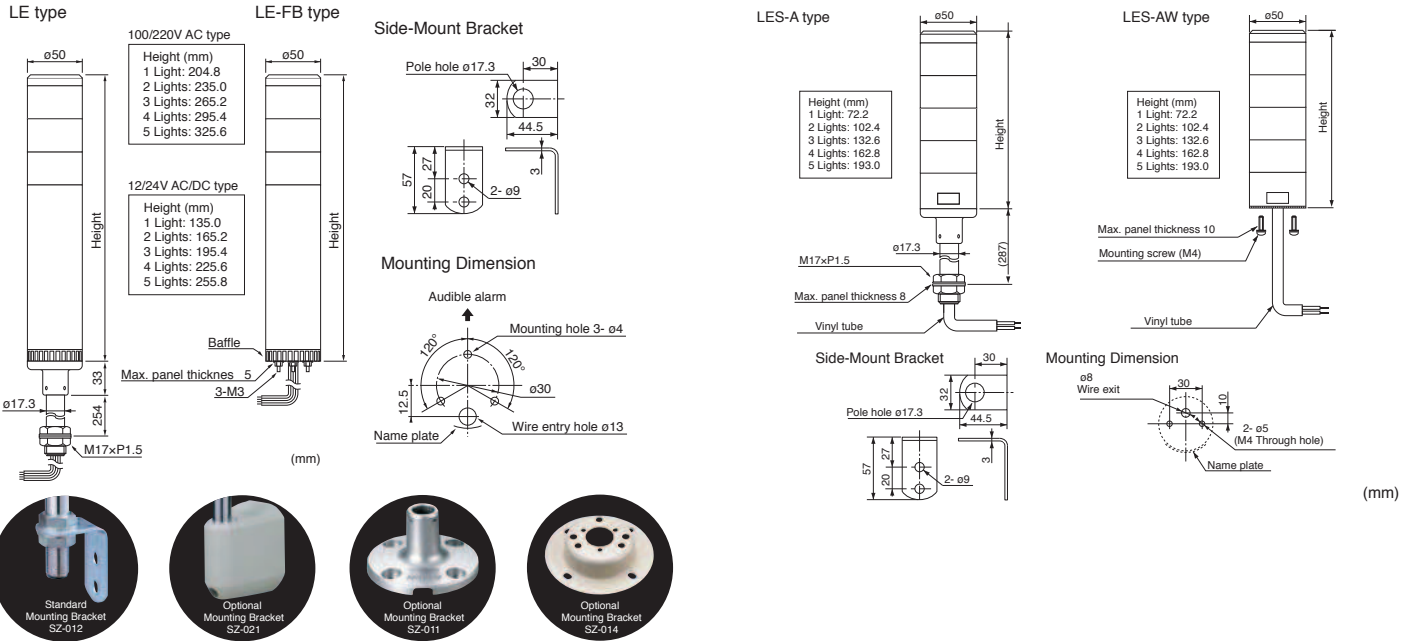
Note: The LED module of LES-A cannot be added, removed or interchanged.



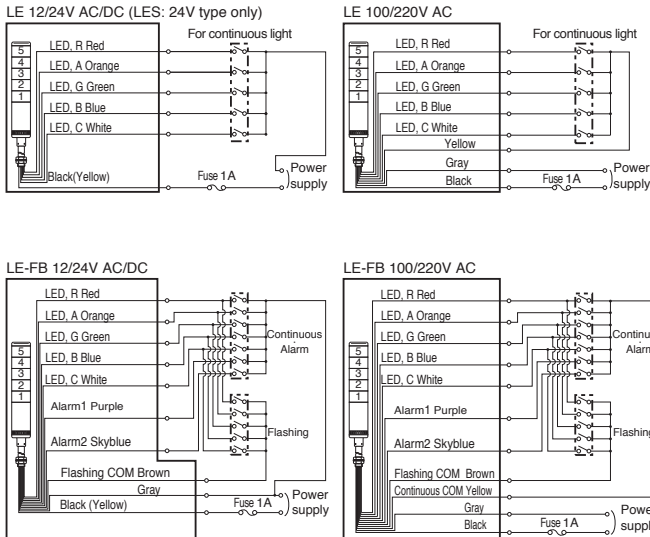
Dual reflection system

PATLITE's original double reflection system with its exclusive hybrid prism-cut lens and 5 color LED modules create distinctive illumination that is bright and even (Patent Pending).

Dimensions



Wiring Diagram



Signal line voltage and current per LED module

Model	Rated Voltage	Signal Line Voltage	LED			Alarm
			Signal Line Current			
LE	12V AC/DC	12V AC/DC	R, A: 50mA	G, C: 40mA	B: 44mA	Signal Line Current 40mA
LES/LE	24V AC/DC	24V AC/DC	R, A: 25mA	G, C: 20mA	B: 22mA	Inrush Current 150mA
LE	100V, 220V AC	24V DC	R, A: 25mA	G, C: 20mA	B: 22mA	

Color Designator Chart *

Color of LED unit	Color of Lead wire
Red	Red
Amber	Orange
Green	Green
Blue	Blue
Clear/White	White

Alarm	Color of Lead wire
Alarm1	Purple
Alarm2	Skyblue

*Alarm wires do not exist for continuous only models.

*LE type: All 5 light wires are supplied even if all colors are not used.

Fuse for customer-supplied contact protection

Voltage	Fuse
All voltage types	1A

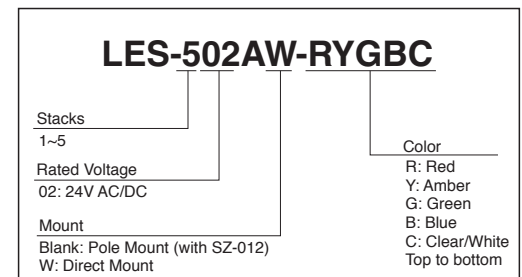
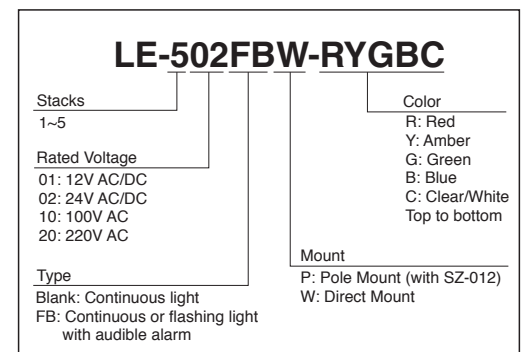
Note: See page 168 for wiring diagram

LE Type

Number of Stacks	Model	Rated Voltage	Power Consumption
1 Light	LE-101	12V AC/DC	1.1W
	LE-102	24V AC/DC	1.6W
	LE-110	100V AC	5.7W
2 Lights	LE-120	220V AC	6.7W
	LE-201	12V AC/DC	1.7W
	LE-202	24V AC/DC	2.2W
3 Lights	LE-210	100V AC	6.7W
	LE-220	220V AC	6.7W
	LE-301	12V AC/DC	2.2W
4 Lights	LE-302	24V AC/DC	2.7W
	LE-310	100V AC	7.5W
	LE-320	220V AC	7.5W
5 Lights	LE-401	12V AC/DC	2.7W
	LE-402	24V AC/DC	3.2W
	LE-410	100V AC	8.3W
5 Lights	LE-420	220V AC	8.3W
	LE-501	12V AC/DC	3.2W
	LE-502	24V AC/DC	3.7W
5 Lights	LE-510	100V AC	9.1W
	LE-520	220V AC	9.1W

FB type: approx. 60 flashes per minute.

How to Order



LES Type

Number of Stacks	Model	Rated Voltage	Power Consumption
1 Light	LES-102A	24V AC/DC	0.6W
2 Lights	LES-202A	24V AC/DC	1.2W
3 Lights	LES-302A	24V AC/DC	1.7W
4 Lights	LES-402A	24V AC/DC	2.2W
5 Lights	LES-502A	24V AC/DC	2.7W

X-ON Electronics

Largest Supplier of Electrical and Electronic Components

Click to view similar products for [patlite](#) manufacturer:

Other Similar products are found below :

[LR4-BU](#) [LR5-02PJNW](#) [LR5-102WJBW-Y](#) [LR5-102WJNW-R](#) [LR6-E-B](#) [LR6-302PJNW-RYG](#) [NH-WST](#) [VSST-LR6-502LJBW-RYGBC](#)
[LR5-02WTNU](#) [VSST-LR6-302LJBW-RYG](#) [VSST-LR6-302LJNW-RYG](#) [MPS-302-RYG](#) [LR5-102WJNW-G](#) [LR6-02LJNW](#) [LR6-302LJNW-](#)
[RYG](#) [VSST-LR6-502LJNW-RYGBC](#) [LR4-302LJBW-RYG](#) [LR6-02PJNW](#) [LR7-02WTNU](#) [BDV-15JF-K](#) [BSV-24P-W](#) [SZK-001U](#) [SZ-50L](#)
[LR4-02QJNW](#) [LR4-02WJNW](#) [LR5-E-R](#) [CLA3S-24-CD](#) [LU7-E-B](#)