

# PANEL MOUNT INDICATOR, NON-RELAMPABLE

## LED TECHNOLOGY

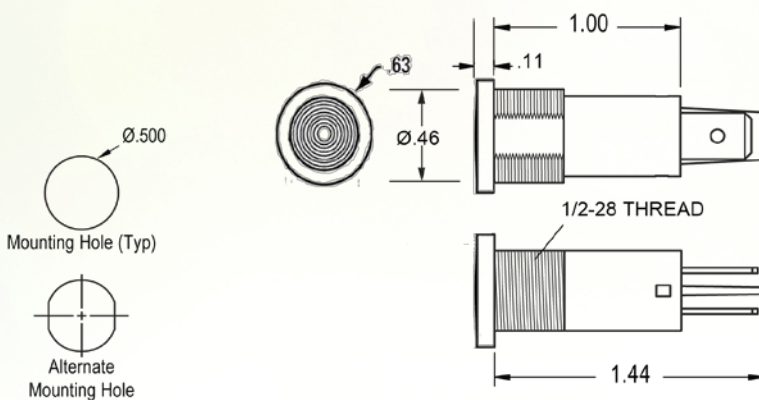
MOUNTING HOLE, Ø 0.500"

PART NO.	LENS COLOR	VOLTAGE	CURRENT [mA]	RATED LIFE HOURS
<b>LED 6V SERIES</b>				
WL-6391Q2D1-6V	RED	5V-6V	20mA	100,000
WL-6391Q2D3-6V	AMBER	5V-6V	20mA	100,000
WL-6391Q2D5-6V	GREEN	5V-6V	20mA	100,000
WL-6391Q2D6-6V	BLUE	5V-6V	20mA	100,000
WL-6391Q2D4-6V	WHITE	5V-6V	20mA	100,000
<b>LED 12V SERIES</b>				
WL-6391Q2D1-12V	RED	12V-14V	20mA	100,000
WL-6391Q2D3-12V	AMBER	12V-14V	20mA	100,000
WL-6391Q2D5-12V	GREEN	12V-14V	20mA	100,000
WL-6391Q2D6-12V	BLUE	12V-14V	20mA </td <td>100,000</td>	100,000
WL-6391Q2D4-12V	WHITE	12V-14V	20mA	100,000
<b>LED 24V SERIES</b>				
WL-6391Q2D1-24V	RED	24V-28V	20mA	100,000
WL-6391Q2D3-24V	AMBER	24V-28V	20mA	100,000
WL-6391Q2D5-24V	GREEN	24V-28V	20mA	100,000
WL-6391Q2D6-24V	BLUE	24V-28V	20mA	100,000
WL-6391Q2D4-24V	WHITE	24V-28V	20mA	100,000

## NOTES

1. Recommended panel thickness  
0.031" to 0.125"
2. .250 x .032 terminals are standard
3. Storage temperature  
 $T_{STG}$ : -25°C - +80°C
4. Ambient temperature  
 $T_A$ : -20°C - +60°C
5. Voltage tolerance  
 $V_{OP}$ : ±10%
6. DC operation only
7. Body material  
Polycarbonate, white
8. Lens material  
Polycarbonate
9. Bezel material  
Stainless steel
10. Terminals  
Quick-connect, tinned brass
11. Gaskets  
Buna-N
12. Mounting hardware (nut, lock washer, and gasket) included

## DIMENSIONAL CHARACTERISTICS



unless otherwise specified, all dimensions are in inches

## CERTIFICATIONS

UL (E340667), RoHS



- Splash proof
- Outdoor applications
- NEMA 3-R



## OPTIONS

Additional options and lens styles available. Please contact Wamco for more information.

## X-ON Electronics

Largest Supplier of Electrical and Electronic Components

*Click to view similar products for [Other Tools](#) category:*

*Click to view products by [Wamco](#) manufacturer:*

Other Similar products are found below :

[CR-05FL7--150R](#) [CR-05FL7--698K](#) [899-2-KT46](#) [899-5-KT46](#) [CR-0AFL4--332K](#) [CR-12FP4--260R](#) [CRCW04021100FRT7](#)  
[CRCW04021961FRT7](#) [5800-0090](#) [CRCW04024021FRT7](#) [CRCW040254R9FRT7](#) [CRCW0603102JRT5](#) [59065-5](#) [00-8273-RDPP](#) [00-8729-](#)  
[WHPP](#) [593033](#) [593058](#) [593072](#) [593564100](#) [593575](#) [593591](#) [593593](#) [011349-000](#) [LTLA506SBLAMNBL](#) [CRCW08052740FRT1](#) [LUC-](#)  
[012S070DSM](#) [LUC-018S070DSP](#) [599-2021-3-NME](#) [599-JJ-2021-03](#) [00-5080-YWPP](#) [5E4750/01-20R0-T/R](#) [LW1A-L1-GL](#) [LW1A-P1-GD](#)  
[LW1L-A1C10V-GL](#) [LW1L-M1C70-A](#) [0202-0173](#) [00-9089-RDPP](#) [00-9300-RDPP](#) [CRCW2010331JR02](#) [01-1003W-8/32-10](#) [601-GP-08-](#)  
[KT39](#) [601-JJ-06](#) [601-SPB](#) [601YSY](#) [602-JJ-03](#) [602SPB](#) [602Z](#) [603-JJ-07-FP](#) [603-JJY-04](#) [604J](#)