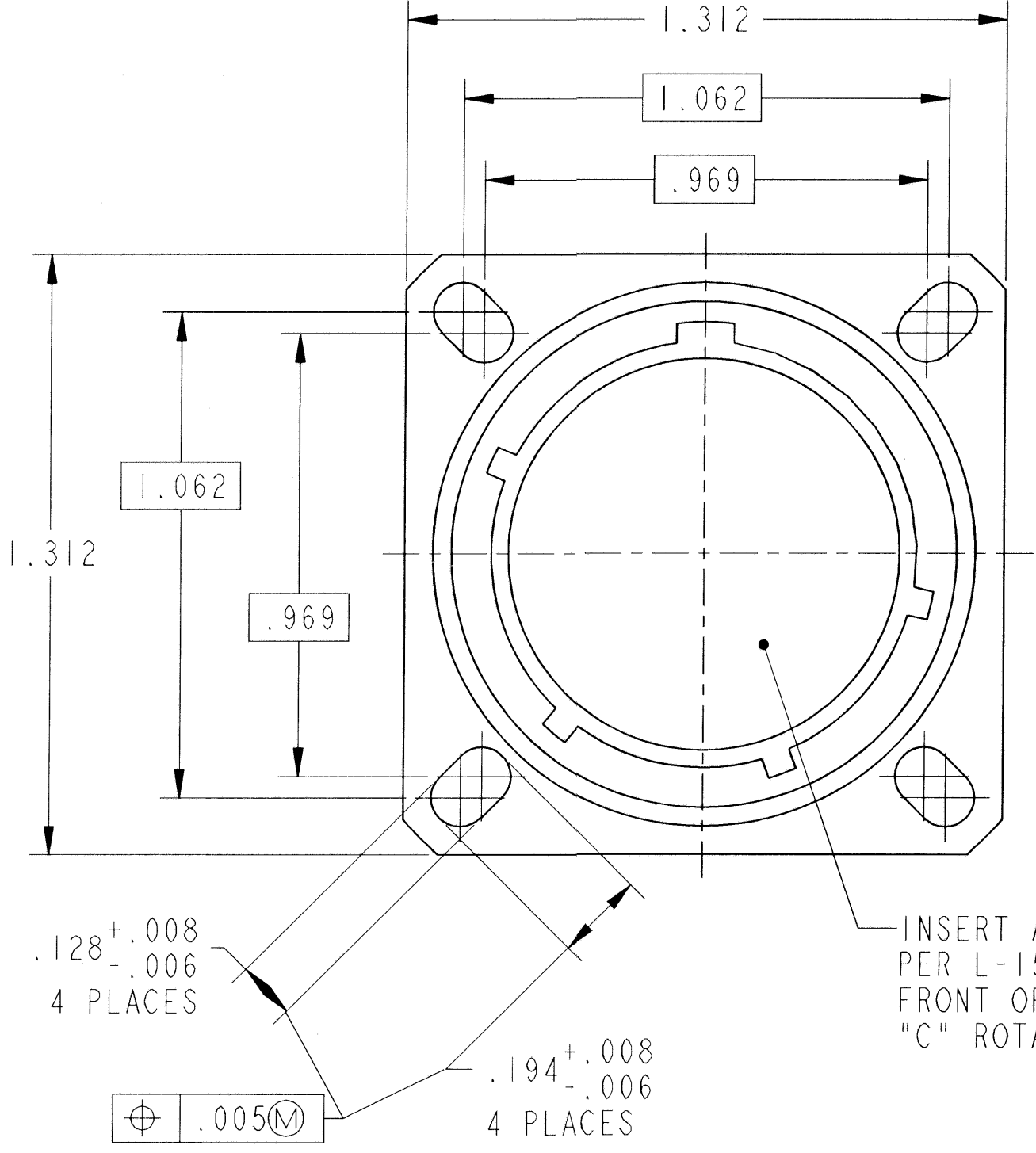


CONTACT DATA TABLE

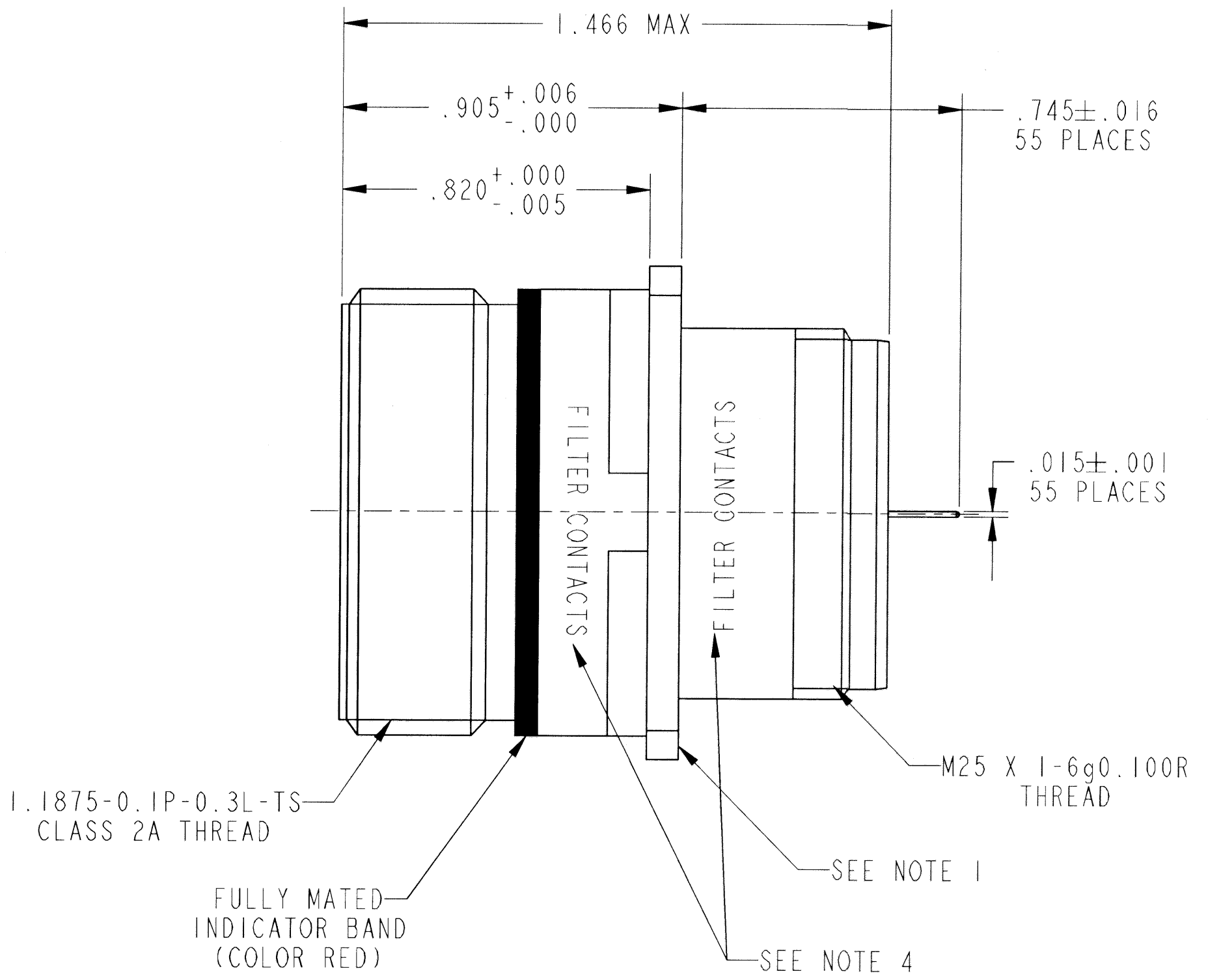
TYPE	QTY	CAPACITANCE (PICOFARADS)	LOCATION
CAPACITOR	47	4900-12000	BALANCE
FEED THRU	8	100 MAX	24, 31, 48, 49, 50, 53, 54, 55

REVISIONS

LTR	DESCRIPTION	DATE	APPVD
A	INITIAL RELEASE NUM: F2000-44		



INSERT ARRANGEMENT
PER L-15617-35
FRONT OF PIN VIEW
"C" ROTATION SHELL



1.1875-0.1P-0.3L-TS
CLASS 2A THREAD

FULLY MATED
INDICATOR BAND
(COLOR RED)

SEE NOTE 1

SEE NOTE 4

4. STAMP "FILTER CONTACTS" AT APPROX.
POSITION SHOWN PER 9-5822-4.

3. PROCESS SPEC:
TEST 9-7811 (SEE NOTE 2)
9-5822, 9-5822-4.

2. ELECTRICAL CHARACTERISTICS:
CAPACITANCE: SEE CONTACT DATA TABLE
INSULATION RESISTANCE: 10 GOHMS MIN @ 600 VDC
DIELECTRIC WITHSTANDING VOLTAGE: 600 VDC
WORKING VOLTAGE: 240 VDC, 80 VAC(RMS)

1. PERMANENTLY MARKED ON INDICATED SURFACE
PER THE CONTENTS OF SPEC. FILE AND 9-5822.

NOTES:

THE USE OF THIS DOCUMENT IS UNLIMITED.
HOWEVER, DOCUMENTS REFERENCED HEREON
MAY CONTAIN LIMITED RIGHTS DATA.

COMPANY ID: 4 CODED/MS/CUST: N N/A
INTERNAL: Y LOT NO: N
DATE CODE: 9-3895 SEE DRAW: N N/A

STAMPING DATA

NEXT ASSEMBLY

UNLESS OTHERWISE SPECIFIED	SPECIFICATIONS	POS	QTY	PART NUMBER	DESCRIPTION	NOTE
		PARTS LIST				
LINEAR DIMENSIONS ARE IN INCHES TOLERANCES: .XXXX = ±.0005 .XXX = ±.010 .XX = ±.03 .X = ±.1 ANGLES = ±2° OTHER STANDARDS PER 9-3800 AND DOD-D-1000 THIRD ANGLE PROJECTION	MATERIAL SPEC.	APPROVALS		DATE	AMPHENOL CORPORATION <small>BENDIX CONNECTOR OPERATIONS SIDNEY, N.Y.</small>	
	N/A	PREPARED	J. MAGNAN	7/31/00	RECEPTACLE, FILTER, ELECTRICAL CONNECTOR, TYPE FTV, 17-35PC	
	PROCESS SPEC.	CHECKED	<i>[Signature]</i>	8/1/00		
	SEE NOTE 3	APPROVED	<i>[Signature]</i>	8/2/00		
		PROV/ENG INFORMATION	21-529017-254.ASSEM	21-529017-254	SIZE: C	FSCM NO. 77820
		DOCUMENT NO.	21-529017-254		REV. A	
		SCALE: N/A	REF: 21-529017-35PC		SHEET 1 OF 1	

FAMCODES DATA3: TVFXNU CICS: 7106

X-ON Electronics

Largest Supplier of Electrical and Electronic Components

Click to view similar products for [amphenol manufacturer](#):

Other Similar products are found below :

[CTV06RGQF-17-52P](#) [CTVPS00RGF-23-6P-LC](#) [GC835TY2S](#) [CF-509621-29P](#) [BF8-1218-31SV-Y70](#) [TVP00RGW-23-6SA\(LC\)](#)
[RNJ27CI1535P014](#) [10-553998-139](#) [21-033388-031](#) [10-507142-843](#) [GTS06G-32-7S](#) [GTC06-36-78PX-023](#) [ACC02E28-51S-003-B30-LC](#)
[TV06RL-13-35SD-LC](#) [TV06RL-13-35SD](#) [TV06RL-13-98SD-LC](#) [TV06RL-13-98SD](#) [GTC08AF32-15SX-B30-LC](#) [GTC06G32-76PZ](#)
[TVP00RW-23-53AD](#) [100-007-213-002-001](#) [5M30-61](#) [FSPP-103-00-004](#) [360031](#) [10-037090-161](#) [10-541504-001](#) [10-580902-409](#) [TV97RW-](#)
[9-9S\(S15\)](#) [TVPS00RGF-9-5P-LC](#) [TVPS00RGF-9-5PA-LC](#) [TVP00RGQW-21-75P-LC](#) [TV06RW-25-90AE](#) [97-3108B16S-5PW-417](#) [PT06J20-](#)
[24SW](#) [97-3108B16S-4PY-417](#) [97-3108B16S-4PX-417](#) [97-3108B16S-5PY-417](#) [97-3108B16S-4PW-417](#) [CS-DSDMDB37MF-025](#) [97-](#)
[3108B16S-5PZ-417](#) [TV06RW-25-46AE](#) [TVS07RF-21-16AA](#) [TVS07RF-21-39BA](#) [60261626SNCOND1](#) [SE00TVW09](#) [CF-5A9013-04N](#) [CF-](#)
[6A4615-06N](#) [GTS01-22-22PX-025-116](#) [GTS01-22-22P-025-116](#) [GTS01-22-22P-116](#)