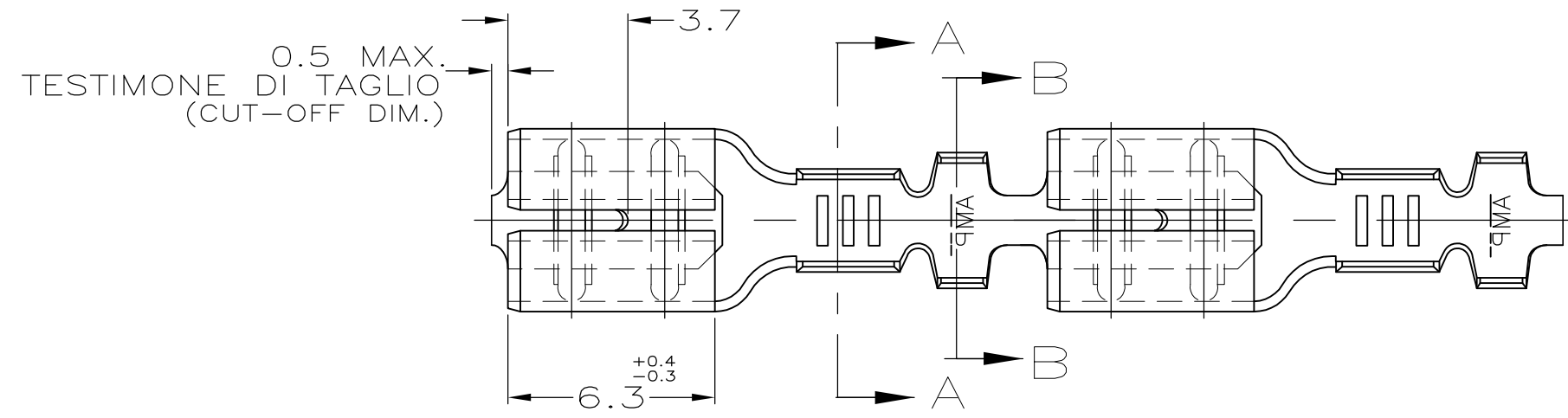


THIS DRAWING IS UNPUBLISHED.  
 QUESTO DISEGNO NON DEVE ESSERE DIVULGATO O RIPRODOTTO

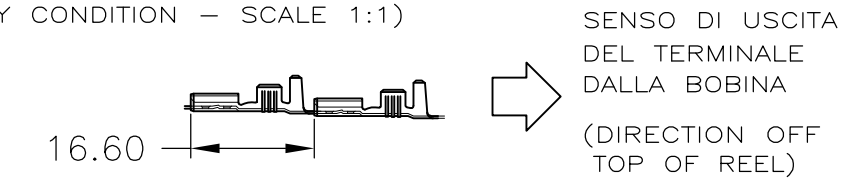
RELEASED FOR PUBLICATION  
 E' CONSENTITA LA DIVULGAZIONE

ALL RIGHTS RESERVED.  
 TUTTI I DIRITTI SONO RISERVATI

LOC	DIST	REVISIONS REVISIONI			
P	LTR REV	DESCRIPTION DESCRIZIONE	DATE DATA	DWN DIS.	APVD APP.
	AG4	REVISED PER ECO-11-005301	02MAR11	RK	HMR



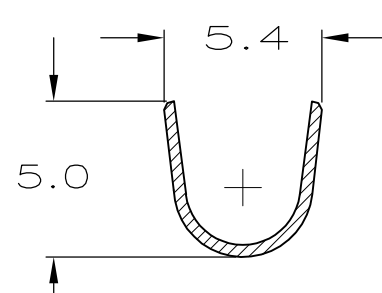
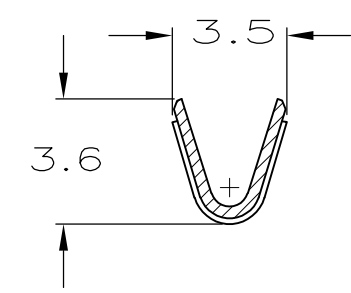
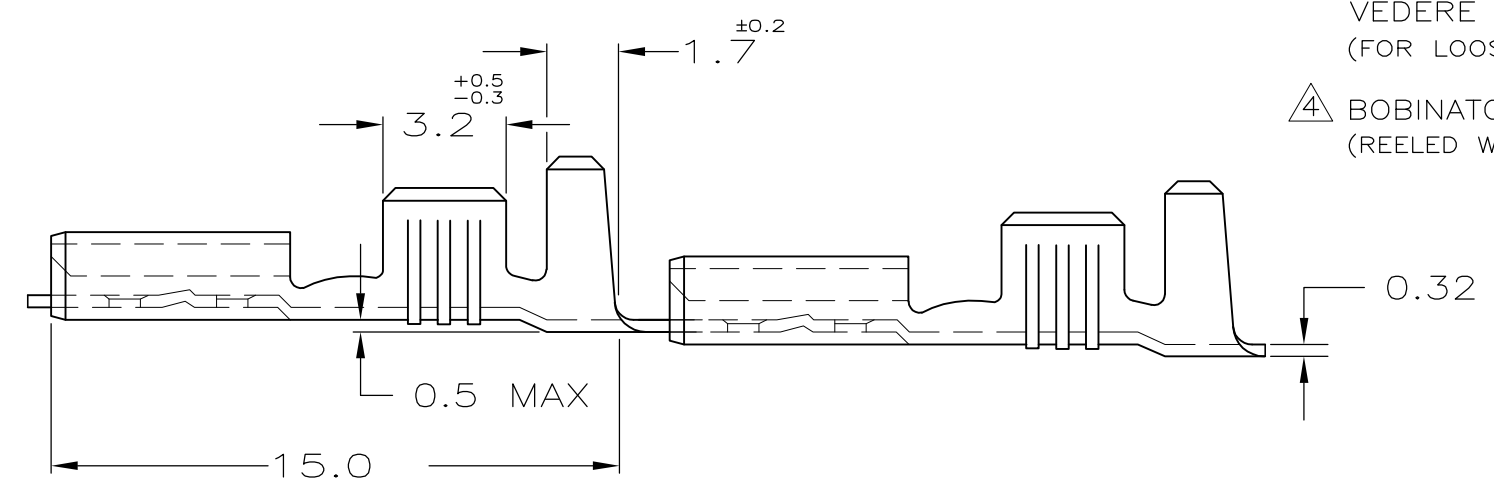
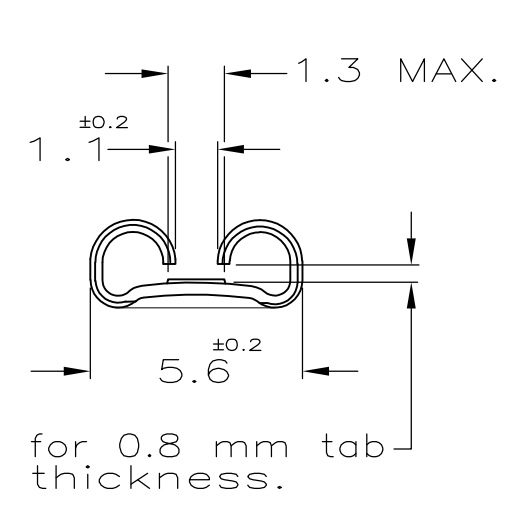
1) STATO DI FORNITURA - SCALA 1:1  
 (SUPPLY CONDITION - SCALE 1:1)



2) SPECIFICA DI PRODOTTO 108-20019  
 (PRODUCT SPEC. 108-20019)

3) PER LE VERSIONI IN PEZZI SCIOLTI  
 VEDERE DISEGNO 160491  
 (FOR LOOSE PIECE VERSION SEE DRAWING 160491).

△ BOBINATO CON CARTA INTERPOSTA  
 (REELED WITH INTERLEAVE PAPER STRIP)



	STAGNATO (TIN PLATED)	BRONZO FOSF. (PH. BRONZE)	5-160429-6
OBSOLETE	PRE NICHELATO (PRE NICKEL PL.)	ACCIAIO (STEEL)	5-160429-4
	STAGNATO (TIN PLATED)	OTTONE (BRASS)	5-160429-2
	NUDO (UNPLATED)	OTTONE (BRASS)	5-160429-1
NOTE	FINITURA/COLORE (FINISH/COLOR)	MATERIALE (MATERIAL)	NUMERO (P/N)

THIS DRAWING IS A CONTROLLED DOCUMENT.  
 QUESTO DISEGNO E' UN DOCUMENTO CONTROLLATO.

DIMENSIONS: DIMENSIONI: mm

TOLERANCES UNLESS OTHERWISE SPECIFIED: TOLLERANZE: SE NON DIVERSAMENTE SPECIFICATO

0 PLC / DEC ± -  
 1 PLC / DEC ± 0.3  
 2 PLC / DEC ± -  
 3 PLC / DEC ± -  
 4 PLC / DEC ± -  
 ANGLES / ANGOLI ± 2'

MATERIAL MATERIALE

FINISH FINITURA

DWN / DIS. H.YAALI 01 FEB 2000  
 CHK / CONT. C.TARTARI 01 FEB 2000  
 APVD / APP. -  
 PRODUCT SPEC SPEC DI PRODOTTO -  
 APPLICATION SPEC SPEC DI APPLICAZIONE -  
 WEIGHT PESO -

**STE** TE Connectivity

FASTON Connector,  
 .187 sr. REC. CONTACT.

SIZE A3 CAGE CODE 00779 DRAWING NO. C-160429 RESTRICTED TO -

CUSTOMER DRAWING DISEGNO PER CLIENTE SOLO PER RIFERIMENTO SCALE SCALA 5:1 SHEET FOGLIO 1 OF DI 1 REV AG4

DIAM. ISOLANTE INSUL. RANGE	RANGO FILO WIRE RANGE
3.0-4.3mmø	1.0-2.5mm <sup>2</sup>

## X-ON Electronics

Largest Supplier of Electrical and Electronic Components

*Click to view similar products for [Terminals](#) category:*

*Click to view products by [TE Connectivity](#) manufacturer:*

Other Similar products are found below :

[HT-13-10](#) [71M-250-32-NB](#) [01-2065-1-0216](#) [00581P0075](#) [M10-10RX](#) [M10BCK](#) [60205-1](#) [604200-1](#) [60598-1-CUT-TAPE](#) [60617-1-C](#) [60873-1](#) [M14-516R/SK](#) [M14-6RSX](#) [M18-10FLX](#) [M18-8FBX](#) [M18-8R/LX](#) [M18BCK](#) [61314-6-C](#) [61-S](#) [61-SN-A](#) [62149-1](#) [62-NBM-A](#) [63-S](#) [640179-1](#) [640917-2-CUT-TAPE](#) [6501550002](#) [66107-2-C](#) [66107-4-C](#) [696683-1](#) [696834-1](#) [696861-1](#) [696931-1](#) [696999-1](#) [M8-516RK](#) [M86700006](#) [MA250DMFMX-A](#) [701-2007](#) [701-2307](#) [701-7761-03](#) [70F-110-32-PB](#) [718-N-A](#) [71M-187-20-NBL](#) [71M-250-32-NBL](#) [72F-187-20-NBL](#) [72M-250-32-NBL](#) [7310](#) [73F-250-32](#) [73F-250-32-NBL](#) [73F-250-32-NL](#) [F-1M](#)