

# COMPACT PTC FAN HEATER

## CS 032/CSF 032 | 1000 W



CS 032 Fan Heater

CSF 032 Fan Heater  
with Integrated Thermostat

- > Compact design
- > High heating performance
- > Double insulated plastic housing
- > DIN or screw mount
- > Optional integrated fixed thermostat

The compact CS 032 high performance fan heater prevents the formation of condensation and provides an evenly distributed interior air temperature in enclosures. The plastic housing provides protection against contact with current-carrying components via double insulation (protection class II). The fan heater is also available with an optional fixed-point thermostat as the CSF 032. These series were designed to accommodate DIN rail or screw mounting.



### TECHNICAL DATA

|                                    |  |
|------------------------------------|--|
| Heating element                    | PTC resistor - temperature limiting  |
| Overheat protection                | built-in temperature limiter   |
| Surface temperature                | max. 176 °F (80 °C), except upper protective grille at 68 °F (20 °C) ambient temperature         |
| Air outlet temperature             | max. 257 °F (125 °C), 2" (50 mm) above grill   |
| Axial fan, ball bearing            | service life 70,000 h at 77 °F (25 °C)   |
| Air flow, free blowing             | 37 cfm (63 m <sup>3</sup> /h)  |
| Connection                         | male power insert connector according to IEC320 C18  |
| Housing                            | plastic, UL 94V-0, black   |
| Mounting                           | clip for 35 mm DIN rail, EN 60715 or screw mount (M5, not included), tightening torque 2 Nm max. |
| Mounting position                  | air flow directed up   |
| Operating / Storage temperature    | -40 to +140 °F (-40 to +60 °C) / -40 to +158 °F (-40 to +70 °C)                                  |
| Operating / Storage humidity       | max. 90 %RH (non-condensing)   |
| Dimensions                         | 5.9 x 3.5 x 2.6" (150.5 x 88 x 66 mm)  |
| Weight                             | approx. 16.5 oz. (650 g)   |
| Protection class / Protection type | II (double insulated) / IP20   |
| Approvals                          | UL File No. E234324, VDE, GOST TR  |

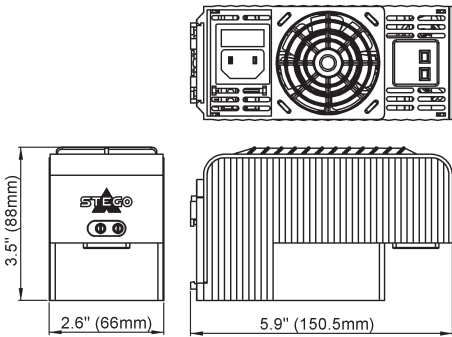
**Important note:** Connectors and cables for electrical connection are not included with the heater. Connection cables are available as accessories.

| Part No. - DIN rail mount | Part No. - screw mount | Series                   | Operating voltage      | Heating capacity <sup>1</sup> | Max. current (inrush) | Switch-off temperature <sup>2</sup> | Switch-on temperature <sup>2</sup> |
|---------------------------|------------------------|--------------------------|------------------------|-------------------------------|-----------------------|-------------------------------------|------------------------------------|
| 03209.0-00                | 03209.0-01             | CS 032, no thermostat    | AC 220-240 V, 50/60 Hz | 1000 W                        | 12 A                  | -                                   | -                                  |
| 03209.9-00                | 03209.9-01             | CS 032, no thermostat    | AC 100-120 V, 50/60 Hz | 1000 W                        | 18 A                  | -                                   | -                                  |
| 03201.0-00                | 03201.0-01             | CSF 032, with thermostat | AC 220-240 V, 50/60 Hz | 1000 W                        | 12 A                  | 77 °F (25 °C)                       | 59 °F (15 °C)                      |
| 03201.9-00                | 03201.9-01             | CSF 032, with thermostat | AC 100-120 V, 50/60 Hz | 1000 W                        | 18 A                  | 77 °F (25 °C)                       | 59 °F (15 °C)                      |
| 03202.0-00                | 03202.0-01             | CSF 032, with thermostat | AC 220-240 V, 50/60 Hz | 1000 W                        | 12 A                  | 59 °F (15 °C)                       | 41 °F (5 °C)                       |
| 03202.9-00                | 03202.9-01             | CSF 032, with thermostat | AC 100-120 V, 50/60 Hz | 1000 W                        | 18 A                  | 59 °F (15 °C)                       | 41 °F (5 °C)                       |

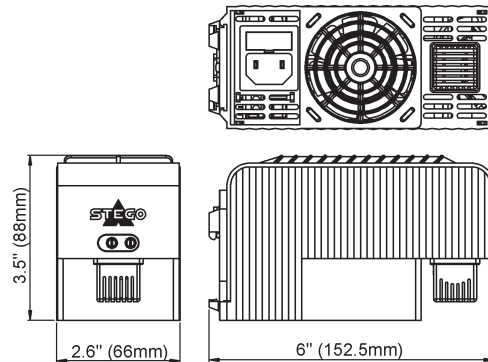
<sup>1</sup> at 77 °F (25 °C) ambient temperature; <sup>2</sup> tolerance of ±5 K

Note: Other Switch-off and Switch-on temperatures on request

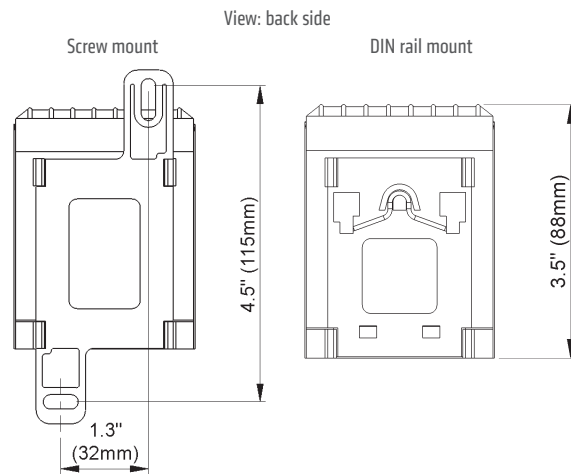
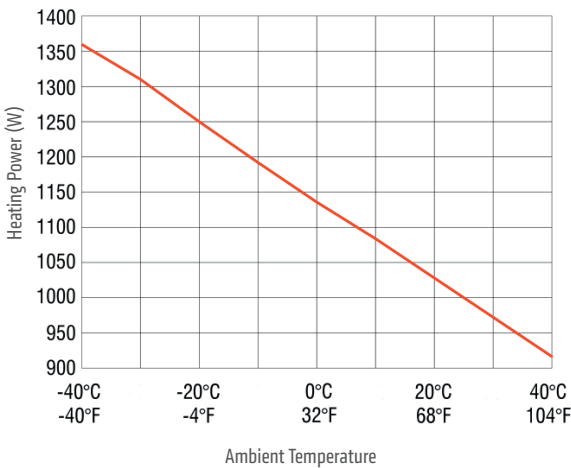
## DIMENSIONAL DRAWING



CS 032 Fan Heater

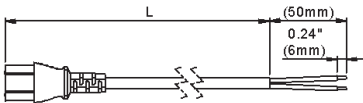


CSF 032 Fan Heater with Integrated Thermostat



## ACCESSORIES

Connection cable with female power insert connector according IEC320 C17



| Part No. | Length (L) |
|----------|------------|
| 244379   | 1.0 m      |
| 244380   | 2.0 m      |

Retaining Clip



Photo: Retaining clip, Part No. 237009

| Part No. | Note   |
|----------|--|
| 237009   | Suitable for female power insert connector on connection cable 244379 and 244380 |

## X-ON Electronics

Largest Supplier of Electrical and Electronic Components

*Click to view similar products for [stego manufacturer](#):*

Other Similar products are found below :

[01870.0-30](#) [01872.0-30](#) [01873.0-30](#) [01874.0-30](#) [11884.0-30](#) [14003.0-00](#) [01925.0-00](#) [11870.0-00](#) [11873.0-00](#) [02541.1-03-0003](#) [03082.0-01](#)  
[03082.0-00](#) [03084.0-00](#) [01131.2-01](#) [02031.0-00](#) [02032.0-00](#) [02035.0-10](#) [02540.0-03](#) [01131.9-00](#) [08605.0-00](#) [03114.0-00](#) [01871.1-30](#)  
[01925.1-01](#) [12101.0-30](#) [01163.0-01](#) [01163.0-03](#) [01164.0-00](#) [01170.0-01](#) [01170.9-01](#) [08601.0-00](#) [01882.0-00](#) [14006.0-00](#) [14008.0-00](#)  
[01802.0-00](#) [02820.0-06](#) [02701.0-00](#) [04640.0-00](#) [06020.0-00](#) [11802.0-00](#) [02540.0-00](#) [03202.9-00](#) [244358](#) [01131.2-00](#) [01610.0-01](#) [01231.1-](#)  
[00](#) [28410.0-00](#) [244356](#) [01185.1-00](#) [02034.0-00](#) [02540.1-11](#)