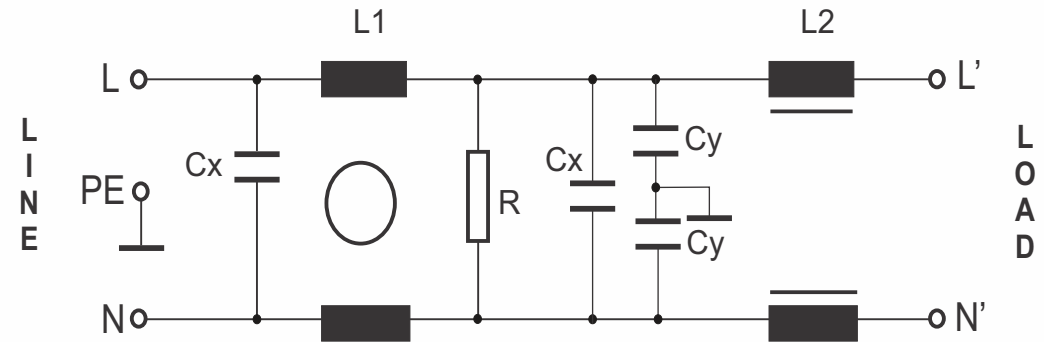


RES80F12**Rev. 0****CIRCUIT DIAGRAM:****CHARACTERISTICS:**

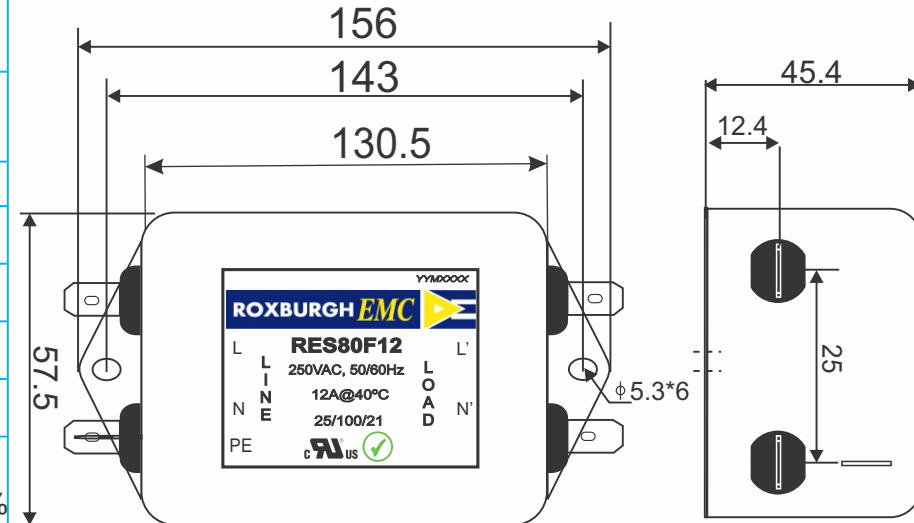
Rated Voltage:	250VAC max
Rated Current at Ambient:	12A @ 40°C
Operating Frequency:	DC-400HZ
Climatic Class (IEC60068-1):	25/100/21
Temperature Range:	-25°C to +100°C
Over load Current:	1.5 x Rated Ct. for 1 Min
Operational Leakage current : (at 230VAC/50Hz and Total C +/-20%)	0.734 mA max
Worst case Leakage current : (N interrupted and Total C +/-20%)	<1.101 mA max
DCR @ 25°C (+/-25%) :	60 mΩ
Test Voltage (100%) for 2 sec:-	L-N: 1100VDC
	L-GND: 3000VDC
Ingress Protection:	IP 20
Weight (Approximate):	650 gr

FILTER PARAMETERS:

Total Inductance (L-L'+N-N') @10KHz:	3.30mH +50%,-30%
Total Capacitance (L-L/L-N) @1KHz:	2μF +/- 20%
Total Capacitance (L/N-PE) @1KHz:	9.4nF +/- 20%
Total Resistance (L-L/L-N):	0.22MΩ +/- 10%
Total Resistance (L/N-GND):	

APPROVALS:REACH
RoHS
ULAPPROVED
BY
AJAY

Date: 10-04-2014

MECHANICAL DIMENSION (mm):**Note:**Housing matl. Fe with Ni Plated
Fast-On Terminal (6.3 x 0.8mm)
Connections

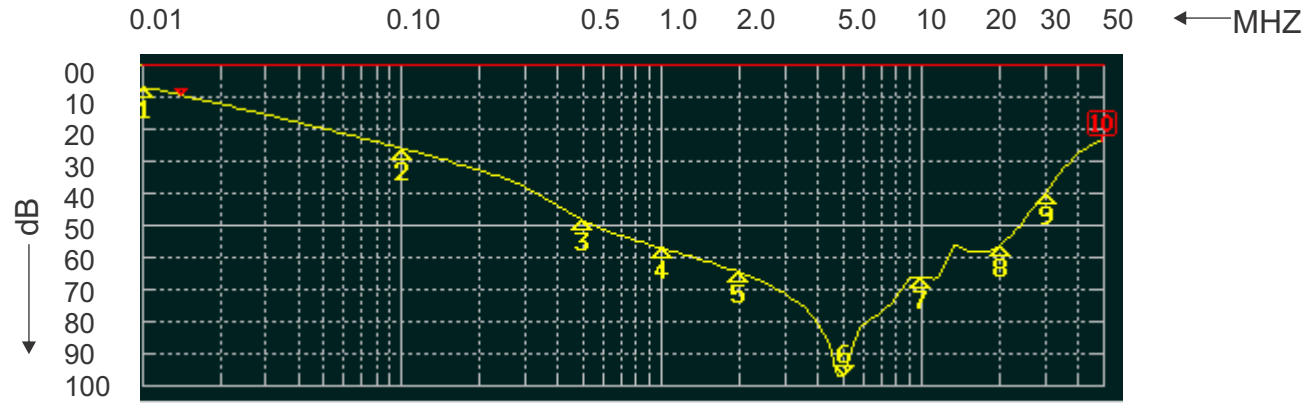
TOLERANCE: +/-1.0 mm



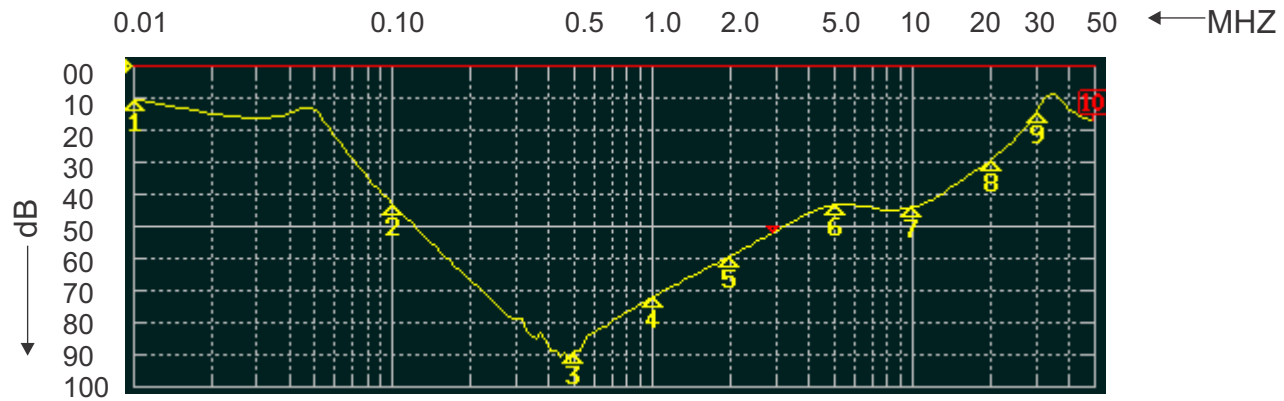
ROXBURGH EMC

FILTER INSERTION LOSS CHARACTERISTICS CISPR 17 - 50 OHM METHOD

RES80F12



COMMON MODE



DIFFERENTIAL MODE



X-ON Electronics

Largest Supplier of Electrical and Electronic Components

Click to view similar products for [roxburgh](#) manufacturer:

Other Similar products are found below :

[RES90F10](#) [KMF3100](#) [RIS0622H2](#) [XE12001](#) [SF1121](#) [RES5-FO8](#) [CMV10](#) [DVS24](#) [DRF10](#) [C225](#) [RES20F16](#) [RES20F20](#) [RES20F10](#)
[DVS240](#) [XEB01010](#) [DRF08](#) [RES5-F15](#) [RIP0642H2](#) [DRF06](#) [C215](#) [RES10F06](#) [RES30F03](#) [XE0475](#) [RID-0342-H](#) [RES5-F10](#) [RIR-0622-H](#)
[XE01010](#) [SMV20](#) [SF1123](#) [CMV30](#) [RIR-0222-H](#) [SF1122](#) [SMV40](#) [RIQ-0442-H2](#) [SMV10](#) [RX730RC+CLIP](#) [3CRH30330](#) [CMV20](#) [XE1201](#)
[RE1201](#)