



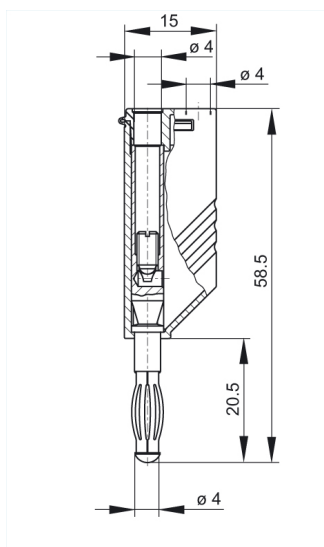
LAS N WS gelb/yellow

Industrial Connectors:Measuring and Testing Equipment:Plugs:4 mm system

Product description

Description	Connector for tower construction with screw connection for leads from 0.5 mm ² to 1.5 mm ² , outer diameter of lead max. 4.2 mm. Plug 4 mm with caged spring, not contact-protected. Simple assembly by "Click-System".
Type	LAS N WS gelb/yellow
Order No.	934 100-103
System	4 mm system
Housing Color	yellow
Other standard types	black color, order no. 934 100-100; red color, order no. 934 100-101; blue color, order no. 934 100-102; green color, order no. 934 100-104

Drawing



Technical data

Pin dimensions	4 mm with laminated spring
Type of contact	pin (spring-loaded)
Type of termination	screw
Rated voltage	DC 60 V
Rated current	24 A
Contact resistance	3 mOhm

Material

Contact material	copper beryllium
Contact surface material	nickel-plated
Housing material	PA

Environmental conditions

Temperature range -15 °C to +70 °C

Inflammability class

Housing 94 HB

X-ON Electronics

Largest Supplier of Electrical and Electronic Components

Click to view similar products for [Test Plugs & Test Jacks](#) category:

Click to view products by [Hirschmann](#) manufacturer:

Other Similar products are found below :

[579-0400](#) [66000-7](#) [R644543000](#) [R921923000](#) [R921930000](#) [R941344000](#) [R948161000](#) [R999351000](#) [1408-4](#) [1533-1](#) [174-R825B-EX](#)
[NYS508-BU](#) [NYS508-O](#) [1680](#) [174-R819B-EX](#) [R644543003](#) [R644543020](#) [R644543021](#) [R921926000](#) [R921931000](#) [R921932000](#)
[R921934000](#) [R929991000](#) [R941460000](#) [R941461000](#) [R941463600](#) [R941920600](#) [R948160000](#) [31B-2-RED](#) [032-0016-023](#) [105-1106-001](#)
[108-1000-106](#) [108-2301-621](#) [111-0707-001](#) [66001-9](#) [7013](#) [1395080-1](#) [930166100](#) [NYS508-GR](#) [NYS508-V](#) [NYS508-W](#) [NYS508-Y](#)
[NYS511-R](#) [BP30-2BR10-B PKG](#) [BP30-10-WT](#) [BP30-2BR-B PKG](#) [BP30Y-1 PKG](#) [R941049000](#) [R941340000](#) [R948141029](#)