

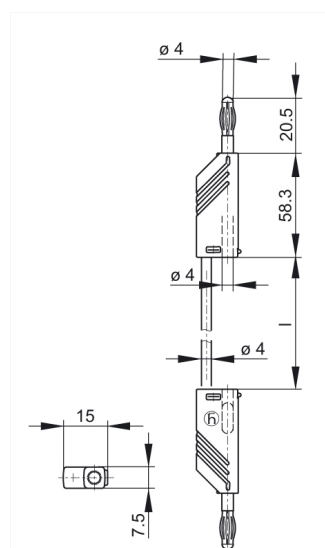
## MLN 100/2,5 rot/red

Measuring and Testing Equipment: Measuring leads: 4 mm system

### Product description

|                      |   |
|----------------------|---|
| Description          | Measuring lead, at either end 4 mm diameter plug with caged spring and 4 mm diameter socket for tower construction. Nickel-plated copper beryllium contact spring. Highly flexible, double insulated stranded lead, grip and lead shatter-proof. Built in colour indicator for easy identification of insulation damages. |
| Type                 | MLN 100/2,5 rot/red   |
| Order No.            | 934 063-101   |
| System               | 4 mm system   |
| Cable length         | 100 cm  |
| Conductor size       | 2,5 mm <sup>2</sup>   |
| Cable material       | PVC   |
| Cable color          | red   |
| Housing Color        | red   |
| Other standard types | black color,<br>order no. 934 063-100;<br>blue color,<br>order no. 934 063-102;<br>yellow color,<br>order no. 934 063-103;<br>green color,<br>order no. 934 063-104;<br>yellow/green color,<br>order no. 934 063-188  |

### Drawing



### Technical data

|                                 |  |
|---------------------------------|--|
| Pin dimensions                  | 4 mm   |
| Type of contact                 | pin (spring loaded)                                  |
| Type of termination             | 4 mm diameter pin and socket                         |
| Cable type                      | LEH-XY   |
| Cable specification             | highly flexible lead                                 |
| Wire stranding                  | 320 x 0,10   |
| Rated voltage                   | DC 60 V  |
| Rated current                   | 32 A   |
| Contact resistance              | 12 mOhm  |
| <b>Material</b>                 |  |
| Contact material                | contact pin: brass, contact spring: copper beryllium |
| Contact surface material        | nickel-plated  |
| Housing material                | PA   |
| <b>Environmental conditions</b> |  |
| Temperature range               | -15 °C to +70 °C                                     |
| <b>Inflammability class</b>     |  |
| Cable                           | 94 HB  |
| Housing                         | 94 V-2   |

## X-ON Electronics

Largest Supplier of Electrical and Electronic Components

*Click to view similar products for [hirschmann](#) manufacturer:*

Other Similar products are found below :

[931298001 GSP 211 PG11](#) [934828001 BRSCIS 4D/9](#) [AK2B2540I SW](#) [BUELA300KSW](#) [BUELA30KBL](#) [BUELA30KGE](#) [930011200 MAB 6](#)  
[933116100 GSSA 300](#) [AK2BSW](#) [G 30 KW 3 M](#) [BNC-AL0.64](#) [BUELA300KBL](#) [BUELA300KRT](#) [BUELA30KGN](#) [BUELA30KRT](#)  
[934066788](#) [934061103](#) [934059104](#) [972425002](#) [943301-001](#) [934061704](#) [STAK2](#) [AK2B2540I GN](#) [PRUEF1SW](#) [SPIDER-PL-20-](#)  
[05T1999999TZ9HHHH](#) [BAT867-RUSW99AU999AT199L999ZHX](#) [930136106](#) [930317804](#) [934066105](#) [934072100](#) [934076103](#) [934086104](#)  
[934086188](#) [973929000](#) [934157101](#) [930014517 MAS 30](#) [934077106](#) [934077105](#) [934064104](#) [932794001](#) [GECKO 4TX](#) [972309101](#)  
[934100707](#) [975695700](#) [975455709](#) [975455701](#) [973528101](#) [MESAP 43650](#) [KLEPS1600SW](#) [932140100 STAK 3 N SCHWARZ](#)