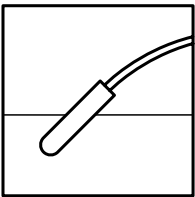


## Float switch



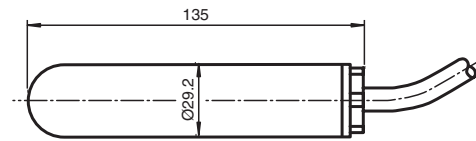
## LFL2-\*\*-U



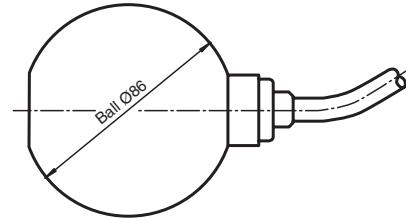
## Features

- Switching element: microswitch, **mercury-free**
- Limit value detection for fluids
- Sleeve design: small diameter, mounting through G1 tap hole possible
- Ball design: high buoyancy

## Dimensions



Sleeve design LFL2-CK-U



Ball design LFL2-BK-U

## Function

The microswitch (change-over) is integrated in a PP float and is activated in the event of deviations from the horizontal position. The switching ball in the float, which moves along an axis, activates the microswitch.

## Electrical connection

Cable colours	=	when potential-free
black-brown	=	contact open
black-blue	=	contact closed

<b>Application</b>	
Description	microswitch with switching ball, change-over contact
<b>Function and system design</b>	
Equipment architecture	This device may be used with any sequential circuit, as long as the circuit can support the electrical circuit values of the switching elements.
<b>Auxiliary energy</b>	
Supply voltage	max. 250 V AC, 150 V DC
Current consumption	max. 3 (1) A
<b>Operating conditions</b>	
<b>Mounting conditions</b>	
Installation instructions	<p>range of application and minimum length between mounting and float:</p> <ul style="list-style-type: none"> <li>- PVC version: ≥ 50 mm (2 in), preferred for water, waste water, slightly aggressive liquids</li> <li>- PUR version: ≥ 100 mm (4 in), preferred for fuels, heating oils, oily fluids</li> <li>- CSM/CM version: ≥ 100 mm (4 in), preferred for many acids and lyes</li> </ul> <p>mounting:</p> <ul style="list-style-type: none"> <li>- The float switch is mounted either from sideways through a cable gland ≥ G1A into the vessel or</li> <li>- by means of a counter weight or rods (e. g. float switch assembly) from the top.</li> <li>- The pivot of the cable should always be horizontal.</li> </ul>
<b>Process conditions</b>	
Process temperature	<p>PVC version: 5 ... 70 °C (278 ... 343 K)</p> <p>PUR version: 5 ... 70 °C (278 ... 343 K)</p> <p>CSM/CM version: -20 ... 90 °C (253 ... 363 K)</p>
Process pressure (static pressure)	<p>sleeve design: ≤ 3 bar at 20 °C (293 K)</p> <p>ball design: ≤ 2 bar at 20 °C (293 K)</p>
Density	<p>sleeve design: ≥ 0.8 g/cm<sup>3</sup></p> <p>ball design: ≥ 0.6 g/cm<sup>3</sup></p>
<b>Mechanical specifications</b>	
Protection degree	IP68
<b>Mechanical construction</b>	
Versions	<p>sleeve design: LFL2-CK-U-PVC3, LFL2-CK-U-PUR3, LFL2-CK-U-CSM3</p> <p>ball design: LFL2-BK-U-PVC3, LFL2-BK-U-PUR3, LFL2-BK-U-CSM3</p>
Material	<p>float: PP (Polypropylene)</p> <p>cable:</p> <ul style="list-style-type: none"> <li>- PVC version: PVC cable, highly flexible (3 x 0.75 mm<sup>2</sup>)</li> <li>- PUR version: PUR cable, highly flexible (3 x 0.50 mm<sup>2</sup>)</li> <li>- CSM/CM version: CSM/CM cable (chlorinated polyethylene, (3 x 0.75 mm<sup>2</sup>))</li> </ul>
Switching point	switch angle: upper switching point +25° (± 10°), lower switching point -14° (± 6°), measured against the horizontal
<b>General information</b>	
Directive conformity	
Directive 73/23/EEC (Low Voltage Directive)	EN 50178
Directive 89/336/EC (EMC)	EN 60947-5-2, EN 60947-5-2 A1
Conformity	
Protection degree	EN 60529
Supplementary information	Statement of Conformity, Declaration of Conformity and instructions have to be observed. For information see <a href="http://www.pepperl-fuchs.com">www.pepperl-fuchs.com</a> .

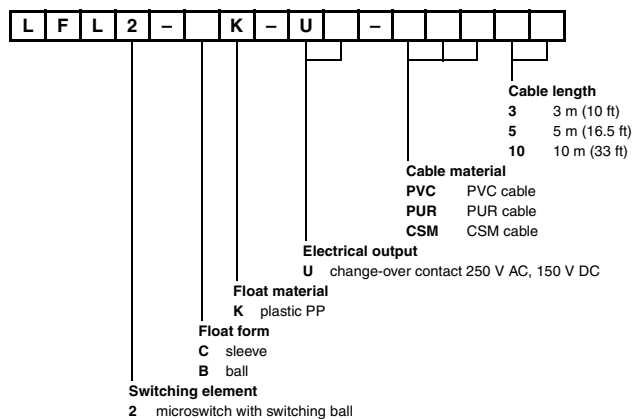
Accessories

- LFL-Z231, counter nut, G1A, PVC
- LFL-Z32, counter weight, grey cast iron with plastic coating (Polycarbonate)
- LFL-Z33, counter weight, grey cast iron with ECTFE coating (Halar)



- LFL-Z131, cable gland G1A, PVC
- LFL-Z132, cable gland G1A, brass
- LFL-Z161, cable gland G2A, PVC
- LFL-Z431, cable gland 1 NPT, PVC
- LFL-Z432, cable gland 1 NPT, brass
- LFL-Z461, cable gland 2 NPT, PVC

Type code/model number



## X-ON Electronics

Largest Supplier of Electrical and Electronic Components

*Click to view similar products for [pepperl & fuchs](#) manufacturer:*

Other Similar products are found below :

[NBN4-12GM50-E3](#) [RL31-54/73C/136](#) [52FR1](#) [MPS11HD](#) [NBB5-18GM50-E2](#) [NBN4-12GM50-E2](#) [UC2000-30GM-IUR2-V15](#) [UB800-18GM40-U-V1](#) [3RG4038-3KB00](#) [3RG7134-3AA00](#) [RL31-8-1200-RT/73C/136](#) [UC-30GM-R2](#) [UC2000-30GM-E6R2-V15](#) [6GR6221-3AB00](#)  
[ML100-55/98/103](#) [M100/MV100-RT/35/76A/95/103](#) [3RG4013-0KB00](#) [3RG4148-3CD00](#) [3RG4023-3AG33](#) [INX360D-F99-I2E2-V15](#)  
[MD17/73](#) [MV17/73/136](#) [NBB8-18GM50-E2-V1](#) [ACX04-F99-I-V15](#) [NBB15-30GM50-E2-V1](#) [NBB20-L2-E2-V1](#) [REF-C110-2](#) [REF-MH50](#)  
[UB400-F77-E2-V31](#) [50FY416](#) [NBN4-12GM40-Z0](#) [40621](#) [3RG4013-3KB00](#) [3RG6233-3JS00](#) [ML100-55/95/103](#) [NJ2-PD-US-2.062-V93](#)  
[NBN8-12GM50-E2](#) [UB800-18GM40-E5-V1](#) [3RG4200-1AB00](#) [RT1 X 100](#) [UB800-18GM40-I-V1](#) [3RG7120-3AA00](#) [NBB8-18GM60-A2-V1](#)  
[UB4000-F42-I-V15](#) [OB-150-F6-E5](#) [41FR2](#) [NBB20-L2-A2-V1](#) [REF-H85-2](#) [6GR6231-3AB00](#) [6GR6222-3AB00](#)