

RES60F20

Rev. 0

CHARACTERISTICS:

| | |
|---|---------------------------|
| Rated Voltage: | 250VAC max |
| Rated Current at Ambient: | 20A @ 40°C |
| Operating Frequency: | DC-400HZ |
| Climatic Class (IEC60068-1): | 25/100/21 |
| Temperature Range: | -25°C to +100°C |
| Over load Current: | 1.5 x Rated Ct. for 1 Min |
| Operational Leakage current : (at 230VAC/50Hz and Total C +/-20%) | 0.73 mA max |
| Worst case Leakage current : (N interrupted and Total C +/-20%) | <1.301 mA max |
| DCR @ 25°C (+/-25%) : | 100 mΩ |
| Test Voltage (100%) for 2 sec:- | L-N: 1100VDC |
| | L-GND: 3000VDC |
| Ingress Protection: | IP 20 |
| Weight (Approximate): | 460 gr |

FILTER PARAMETERS:

| | |
|--------------------------------------|-----------------|
| Total Inductance (L-L'+N-N') @10KHz: | 1.2mH +50%,-30% |
| Total Capacitance (L-L/L-N) @1KHz: | 2.0μF +/- -20% |
| Total Capacitance (L/N-GND) @1KHz: | 9.4nF +/- -20% |
| Total Resistance (L-L/L-N): | 0.22MΩ +/- -10% |
| Total Resistance (L/N-GND): | |

APPROVALS:

REACH
RoHS
UL



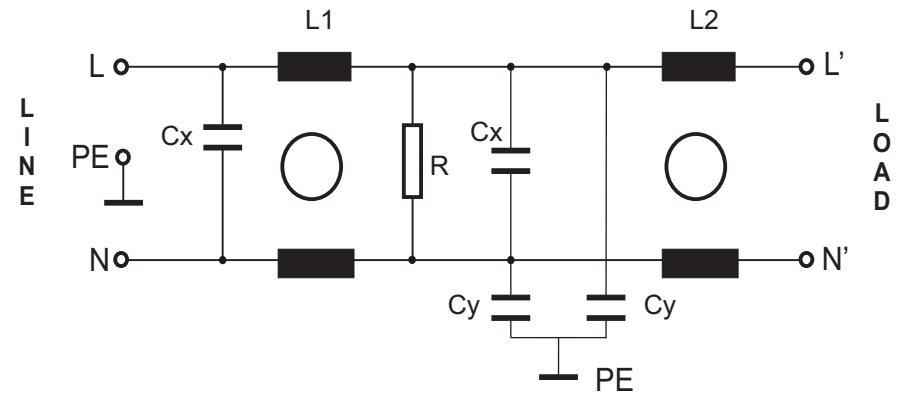
APPROVED
BY
AJAY

Date:25-01-2014

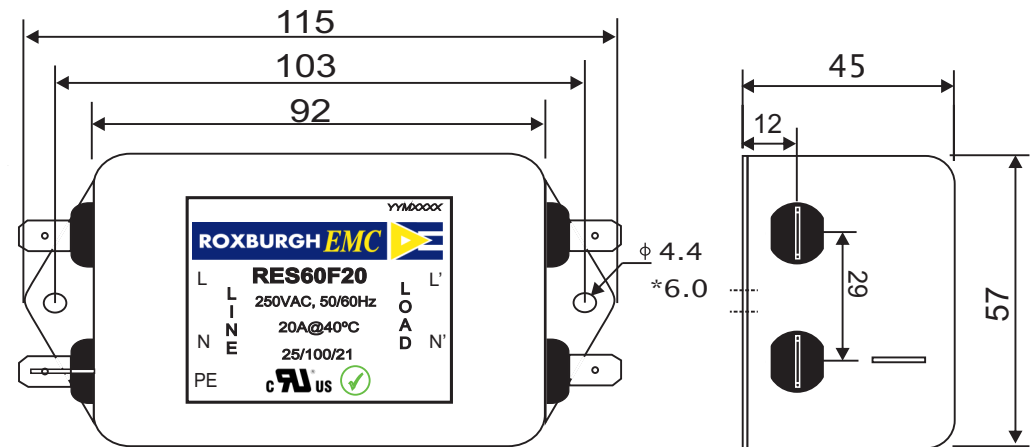


Tel:- +44(0) 1724 273200
email:- sales@dem-uk.com
web :- www.dem-uk.com/roxburgh

CIRCUIT DIAGRAM:



MECHANICAL DIMENSION (mm):



Note:

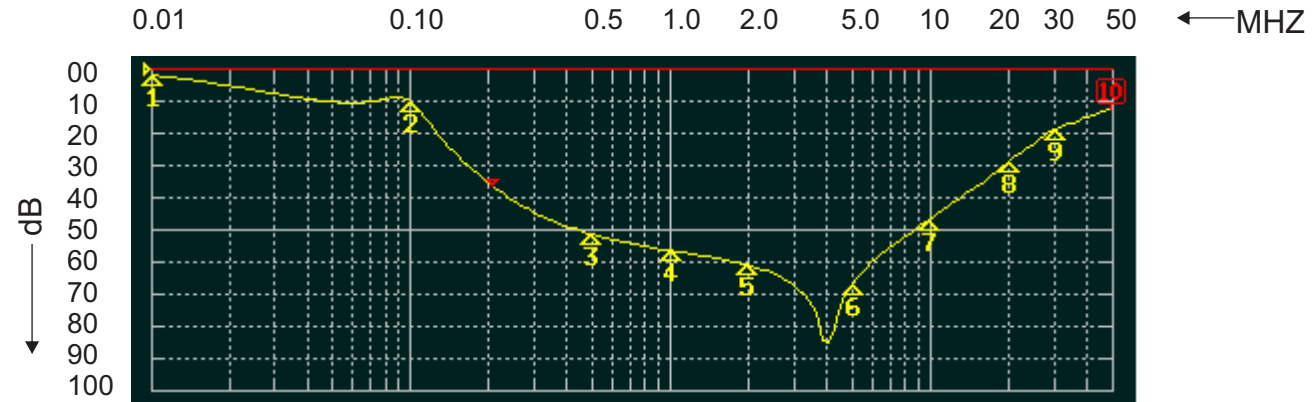
Housing matl. Fe with Ni Plated
Fast-On Terminal (6.38 x 0.8mm) or
Screw 8-32, 1.5" Connections

TOLERANCE: +/-1.0 mm

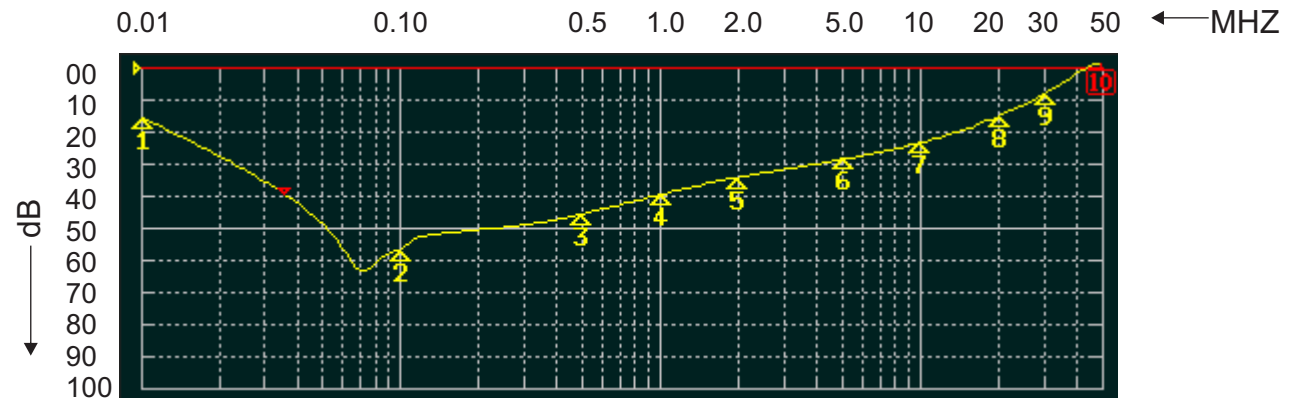


ROXBURGH EMC
FILTER INSERTION LOSS CHARACTERISTICS
CISPR 17 - 50 OHM METHOD

RES60F20



COMMON MODE



DIFFERENTIAL MODE



X-ON Electronics

Largest Supplier of Electrical and Electronic Components

Click to view similar products for [roxburgh](#) manufacturer:

Other Similar products are found below :

[RES90F10](#) [KMF3100](#) [RIS0622H2](#) [XE12001](#) [SF1121](#) [RES5-FO8](#) [CMV10](#) [DVS24](#) [DRF10](#) [C225](#) [RES20F16](#) [RES20F20](#) [RES20F10](#)
[DVS240](#) [XEB01010](#) [DRF08](#) [RES5-F15](#) [RIP0642H2](#) [DRF06](#) [C215](#) [RES10F06](#) [RES30F03](#) [XE0475](#) [RID-0342-H](#) [RES5-F10](#) [RIR-0622-H](#)
[XE01010](#) [SMV20](#) [SF1123](#) [CMV30](#) [RIR-0222-H](#) [SF1122](#) [SMV40](#) [RIQ-0442-H2](#) [SMV10](#) [RX730RC+CLIP](#) [3CRH30330](#) [CMV20](#) [XE1201](#)
[RE1201](#)