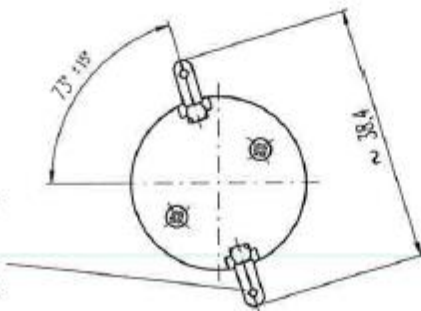
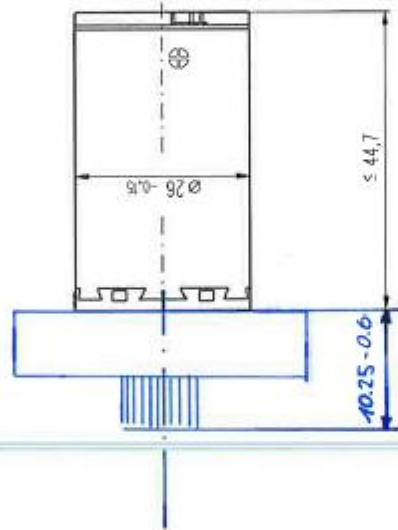
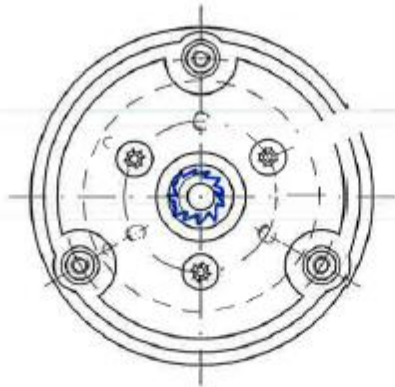


Part no		517598	517599	
1	Nominal voltage	V	12	24
2	No load speed	rpm	4460	4520
3	No load current	mA	17.1	8.76
4	Nominal speed	rpm	2775	2800
5	Nominal torque (max continuous torque)	mNm	15.6	15.2
6	Nominal current (max continuous current)	A	0.627	0.31
7	Stall torque	mNm	41.4	40.1
8	Stall current	A	1.62	0.8
9	Max efficiency	%	84	84
Characteristics				
10	Terminal resistance	ohms	7.41	30.1
11	Terminal inductance	mH	0.77	2.99
12	Torque constant	mNm/A	25.5	50.3
13	Speed constant	rpm/V	374	190
14	Speed / torque gradient	rpm/mNm	108	114
15	Mechanical time constant	ms	14.8	14.9
16	Rotor inertia	gcm ²	13.1	12.5

Terminal 2.8 x 0.4
(⊕ Terminal)



Bezugsprofil DIN 867
tooth profile
Zähnezahl $z = 10$
number of teeth
Modul $m = 0.5$
module
Eingriffswinkel 20°
pressure angle
Profilverschiebungsfaktor $x = 0.24$
addendum modification factor



Axialspiel
axial play 0.1 ... 0.2

maxon A-max26 EBCLL-4W IWE		maxon A-max26 EBCLL-4W IWE		110183	
120800	Artikel-Nr. / part no.	120800	maxon A-max26 EBCLL-4W IWE	110183	Bestellnummer
517525	Produktionsnummer	600700	maxon A-max26 EBCLL-4W IWE		
Maßstab scale 1:1 1:1		ISO 2768-M 15.03.2008 HUC		ISO 2768-M 15.03.2008 HUC	
Maxon ohne Gewährleistung Maxon without warranty dimensions without tolerance.		Maxon ohne Gewährleistung Maxon without warranty dimensions without tolerance.		Maxon ohne Gewährleistung Maxon without warranty dimensions without tolerance.	
Maßstab scale 1:1 1:1		ISO 2768-M 15.03.2008 HUC		ISO 2768-M 15.03.2008 HUC	
Maxon ohne Gewährleistung Maxon without warranty dimensions without tolerance.		Maxon ohne Gewährleistung Maxon without warranty dimensions without tolerance.		Maxon ohne Gewährleistung Maxon without warranty dimensions without tolerance.	
Für diese Zeichnung hergeleitete wir uns die Rechte vor. We reserve all rights for this drawing.		Für diese Zeichnung hergeleitete wir uns die Rechte vor. We reserve all rights for this drawing.		Für diese Zeichnung hergeleitete wir uns die Rechte vor. We reserve all rights for this drawing.	
maxon motor ag CH-6072 Sachseln		maxon motor ag CH-6072 Sachseln		maxon motor ag CH-6072 Sachseln	
Dokument-Nr. / doc no. 109720-X / 656451		Dokument-Nr. / doc no. 109720-X / 656451		Dokument-Nr. / doc no. 109720-X / 656451	
Freigabe: 600700		Freigabe: 600700		Freigabe: 600700	

© 2010/03/07 at 14:00:00: 109720-X / 656451

Specifications

Thermal data

17 Thermal resistance housing-ambient	13.2 K/W
18 Thermal resistance winding-housing	3.2 K/W
19 Thermal time constant winding	13.8 s
20 Thermal time constant motor	473 s
21 Ambient temperature	-30...+65°C
22 Max. winding temperature	+85°C

Mechanical data (sleeve bearings)

23 Max. speed	11000 rpm
24 Axial play	0.1 - 0.2 mm
25 Radial play	0.012 mm
26 Max. axial load (dynamic)	1.7 N
27 Max. force for press fits (static)	80 N
28 Max. radial load, 5 mm from flange	5.5 N

Mechanical data (ball bearings)

23 Max. speed	11000 rpm
24 Axial play	0.1 - 0.2 mm
25 Radial play	0.025 mm
26 Max. axial load (dynamic)	5 N
27 Max. force for press fits (static)	75 N
28 Max. radial load, 5 mm from flange	20.5 N

Other specifications

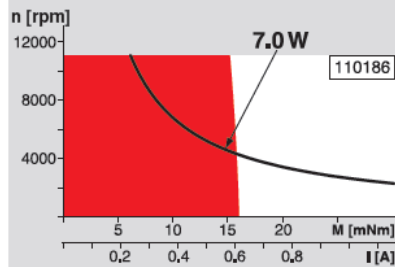
29 Number of pole pairs	1
30 Number of commutator segments	13
31 Weight of motor	117 g
CLL = Capacitor Long Life	

Values listed in the table are nominal.
Explanation of the figures on page 107.

Option

Ball bearings in place of sleeve bearings
Without CLL

Operating Range



Comments

Continuous operation
In observation of above listed thermal resistance (lines 17 and 18) the maximum permissible winding temperature will be reached during continuous operation at 25°C ambient.
= Thermal limit.

Short term operation
The motor may be briefly overloaded (recurring).

— Assigned power rating

maxon Modular System

Overview on page 20–25

Planetary Gearhead

Ø26 mm
0.75 - 4.5 Nm
Page 301

Spur Gearhead

Ø30 mm
0.07 - 0.2 Nm
Page 302

Planetary Gearhead

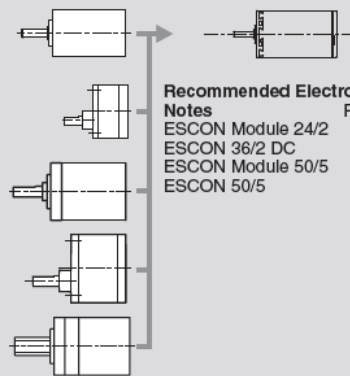
Ø32 mm
0.75 - 6.0 Nm
Page 303/304/307

Spur Gearhead

Ø38 mm
0.1 - 0.6 Nm
Page 313

Spindle Drive

Ø32 mm
Page 334–336

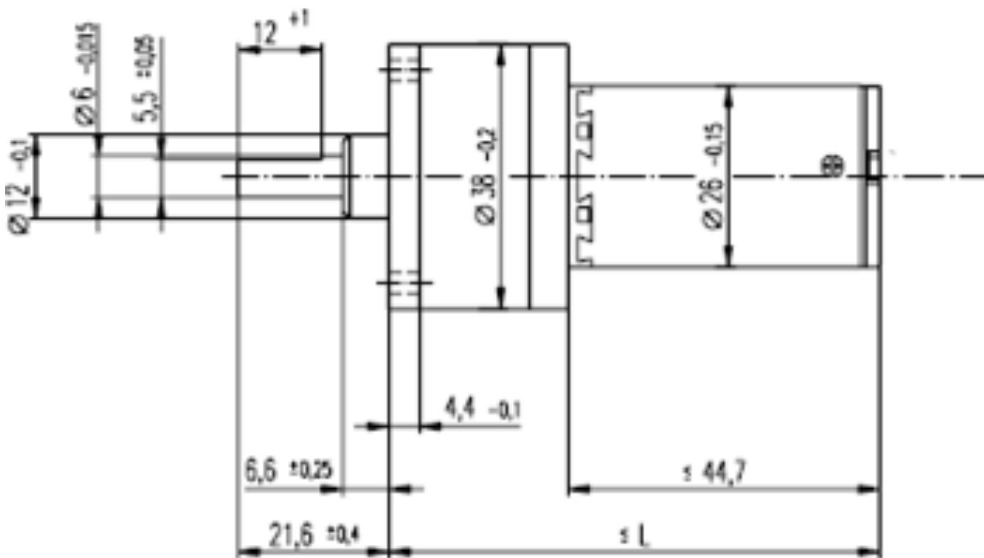


Recommended Electronics:

Notes	Page 22
ESCON Module 24/2	378
ESCON 36/2 DC	378
ESCON Module 50/5	379
ESCON 50/5	380

May 2015 edition / subject to change

maxon DC motor 163



Untersetzung Reduction ratio	Stufenzahl stages	$\leq L$
6 : 1	2	65.4
10 : 1	2	65.4
18 : 1	3	67.9
30 : 1	3	67.9
60 : 1	4	70.4
100 : 1	4	70.4
200 : 1	5	72.9
500 : 1	6	75.4
900 : 1	6	75.4

X-ON Electronics

Largest Supplier of Electrical and Electronic Components

Click to view similar products for [maxon](#) manufacturer:

Other Similar products are found below :

[110340](#) [250521](#) [203892](#) [110455](#) [403962](#) [440557](#) [403112](#) [137576](#) [118391](#) [110048](#) [251601](#) [403957](#) [367661](#) [240987](#) [242472](#) [110338](#)