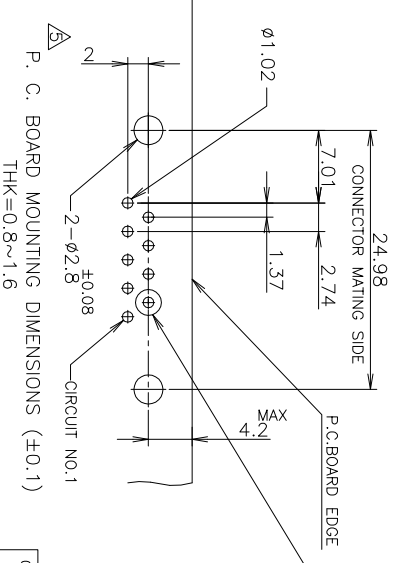
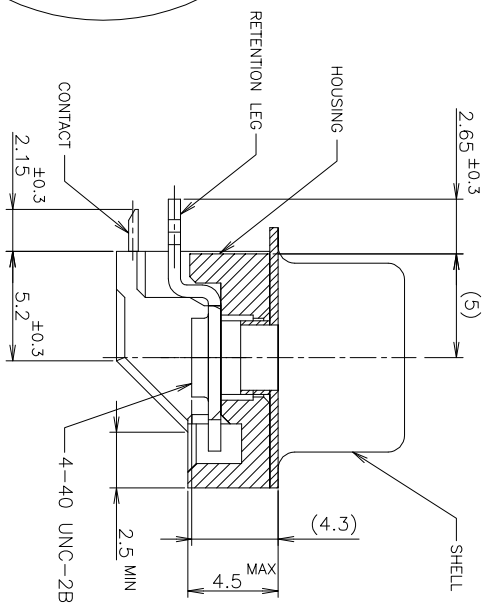
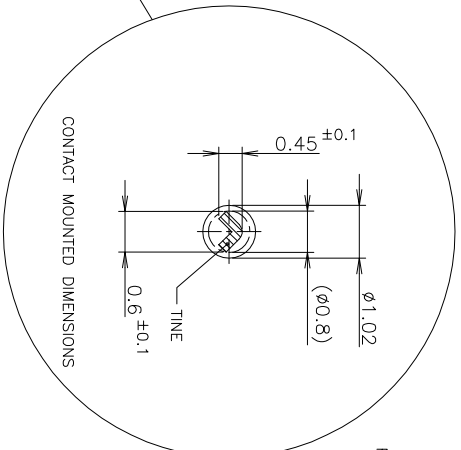
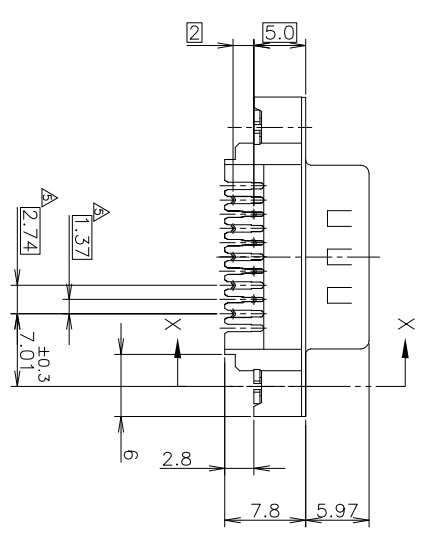
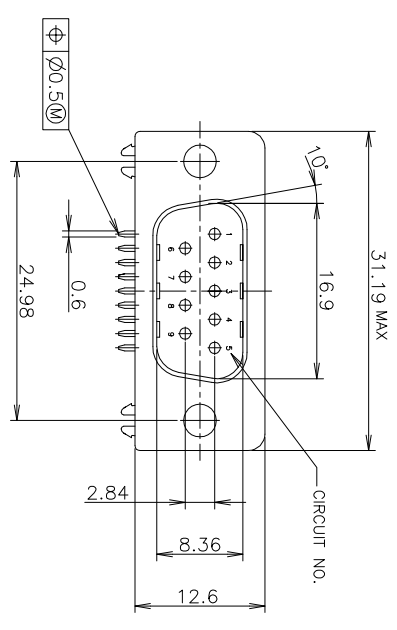


4	3	2	1
THIS DRAWING IS UNPUBLISHED. RELEASED FOR PUBLICATION MAR. 1993. ALL RIGHTS RESERVED.		REVISONS	
P	LTR	DESCRIPTION	DATE
0	0	RELEASED (ECR-05-001155)	5APR95
			L.Z I.E



1 THESE PRODUCTS CONFORM AMP SPEC. 108-5400.

△ MATERIAL: THERMOPLASTEC

△ HOUSING: CARBON STEEL

△ CONTACT: COPPER ALLOY

△ RETENTION LEG: COPPER ALLOY

△ FINISH: GOLD PL.

△ CONTACT: GOLD PL.

△ SHELL: TIN PL.

△ RETENTION LEG: TIN PL.

4 SCREWLOCK OR SCREW MUST BE ASSEMBLED BEFORE RECEPTACLE CONNECTOR MATTING. (SCREW ON TORQUE: 5kg-cm(MAX))

△ P. C. BOARD MOUNTING DIMENSION CONFORM MIL SPEC. (MS-18273)

P. C. BOARD MOUNTING DIMENSIONS (±0.1)
THK=0.8~1.6

GENERAL TOLERANCE

10 ≥ : ±0.2
30 ≥ > 10 : ±0.25
100 ≥ > 30 : ±0.3
ANGLES : ±3°

THIS DRAWING IS A CONTROLLED DOCUMENT.

DIMENSIONS:	TOLERANCES UNLESS OTHERWISE SPECIFIED:
mm	0 P.L.C. ±
	1 P.L.C. ±
	2 P.L.C. ±
	3 P.L.C. ±
	4 P.L.C. ±
	ANGLES ±

MATERIAL	SEE NOTE
FINISH	SEE NOTE

CUSTOMER DRAWING	SCALE	SHEET	OF	REV
A3	00779	5177597	1	1

Au: 0.00076 MIN.	-9
Au: 0.00038 MIN.	-6
Au: FLASH	5177597-3
FINISH	P/N

tyco Electronics
Tyco Electronics AMP K.K.
Kawasaki, Japan

PLUG ASSY RIGHT ANGLE SIZE 1, 9P
LOW PROFILE STD-D P.C.B t=0.8~1.6 DIP
AMPLIMITE III-J ULTRA SLIM HD-20

X-ON Electronics

Largest Supplier of Electrical and Electronic Components

Click to view similar products for [D-Sub Standard Connectors](#) category:

Click to view products by [TE Connectivity](#) manufacturer:

Other Similar products are found below :

[DCM37S732N](#) [DAM15P500](#) [DEV09S364GTLF](#) [DEM09P032N](#) [DDM50P732N](#) [DAM15S332N](#) [173109-2218](#) [173109-2466](#) [173109-2436](#)
[173109-2435](#) [56F706-005-LI](#) [56F711-015](#) [015-0341-000](#) [015-0372-008](#) [015-8544-011](#) [017041-0005](#) [012-0515-000](#) [012-9507-034](#) [012-9507-114](#) [012-9534-001](#) [020745-0008](#) [609-25P](#) [M24308/2-23Z](#) [M243082310F](#) [M243082410F](#) [M243082411F](#) [M24308/4-21](#) [CT1A18-11PSA206](#)
[CT1N36-5SC](#) [CT2-16S-17PS](#) [CT2-20-15PCAU](#) [CT2-24-12PS](#) [CT2-24-28PSF127A206](#) [CT2-32-9PC](#) [CT6F9767-14-4-14S-5PC](#)
[CT6FA10SL-4PS](#) [CT7-18-10SC](#) [CT7-18-10SCAU](#) [CT7-18-12SCAU](#) [CT7-18-1PC](#) [CT7-18-1PCAU](#) [CT7-18-21SCAU](#) [M83513/01-FC](#)
[M83723/76W24619 L/C](#) [M85049/48-3-2F](#) [69001-865](#) [6STD09PCM99B70X](#) [6STD09SCT99S40X](#) [6STD15PCT99S40X](#)
[6STD15SCM99B30X](#)