




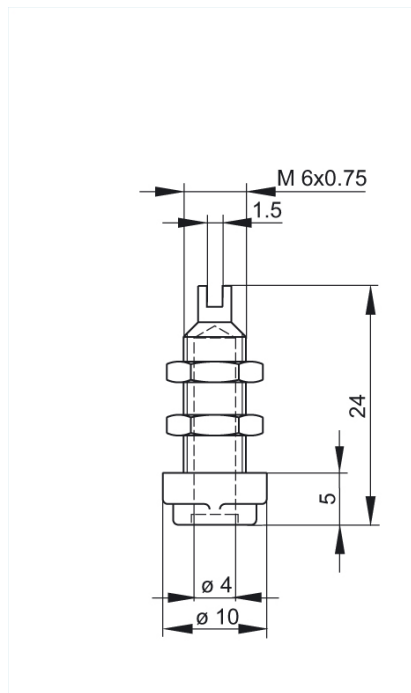
BUG 10 rot/red

Industrial Connectors:Measuring and Testing Equipment:Sockets:4 mm system

Product description

Description	Socket with oval insulated head, 4 mm diameter tin-plated brass socket, with solder connection.
Type	BUG 10 rot/red
Order No.	930 175-101
System	4 mm system
Housing Color	red
Color types	
Other standard types	black color, order no. 930 175-100; blue color, order no. 930 175-102; yellow color, order no. 930 175-103; green color, order no. 930 175-104; white color, order no. 930 175-107

Drawing



Technical data

Type of contact	socket
Type of termination	solder
Rated voltage	DC 60 V
Rated current	16 A
Contact resistance	5 mOhm
Mounting	screw
Material	
Contact material	brass
Contact surface material	tin-plated
Housing material	PF
Environmental conditions	
Temperature range	-25 °C to +85 °C
Inflammability class	
Housing	94 V-0

X-ON Electronics

Largest Supplier of Electrical and Electronic Components

Click to view similar products for [hirschmann](#) manufacturer:

Other Similar products are found below :

[931298001 GSP 211 PG11](#) [934828001 BRSCIS 4D/9](#) [AK2B2540I SW](#) [BSB20KRT](#) [BUELA300KGE](#) [BUELA300KSW](#) [BUELA30KBL](#)
[BUELA30KGE](#) [930011200 MAB 6](#) [AK2BSW](#) [G 30 KW 3 M](#) [BNC-AL0.64](#) [BUELA300KBL](#) [BUELA300KRT](#) [BUELA30KGN](#)
[BUELA30KRT](#) [BUELA30KSW](#) [934066788](#) [934061103](#) [934059104](#) [972425002](#) [943301-001](#) [934061704](#) [STAK2](#) [AK2B2540I GN](#)
[PRUEF1SW](#) [SPIDER-PL-20-05T1999999TZ9HHHH](#) [BAT867-RUSW99AU999AT199L999ZHX](#) [930136106](#) [930317804](#) [934066105](#)
[934072100](#) [934076103](#) [934086104](#) [934086188](#) [973929000](#) [934157101](#) [930014517 MAS 30](#) [934077106](#) [934064104](#) [932794001](#) [GECKO](#)
[4TX](#) [972309101](#) [934100707](#) [975695700](#) [975455709](#) [975455701](#) [973528101](#) [MESAP 43650](#) [KLEPS1600SW](#)