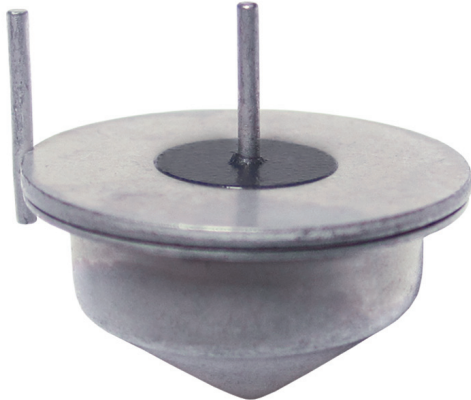


**Part Number: CW1725-1**  
**Tip-Over Switch**  
**Product Data Sheet**

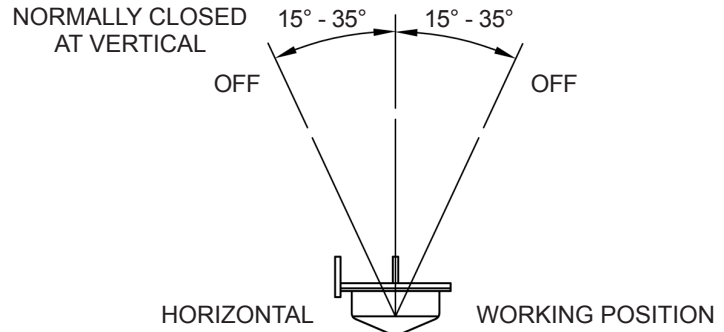


## PICTURE



✓ **RoHS Compliant**

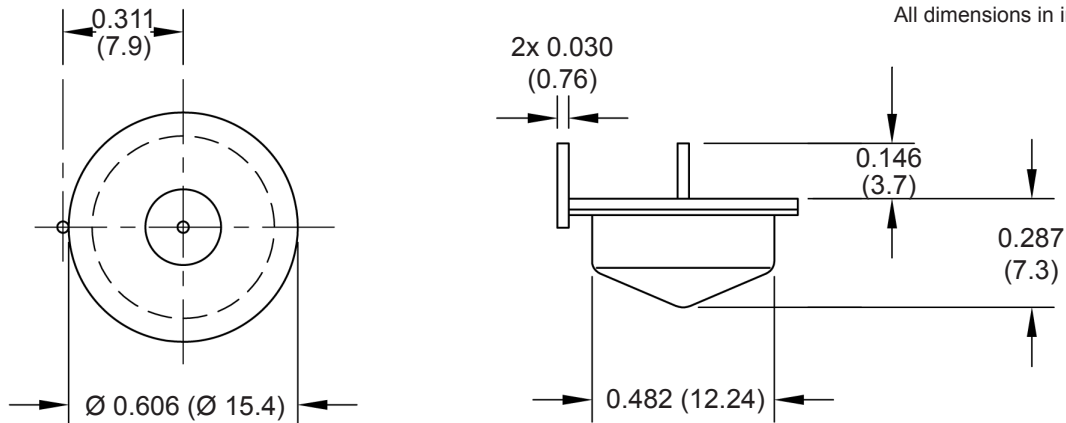
## OPERATION



## FEATURES

- Resistant to Ambient Environmental Conditions
- Case Material : Tin Plated
- Mechanical Stress Resistant
- Hermetically Sealed & Inert Gas Filled

## DIMENSIONS



Drawings not to scale.  
 All dimensions in inches (mm) nominal.

## SPECIFICATION

Contact Capacity	0.25 A, 60 V MAX, 3 VA MAX
Contact Resistance	30 Ω MAX at 5 VDC
Break Angle	15° to 35° from vertical
Remake Angle	8° MIN from vertical
Operating Temperature	-37° to 100°C

As part of the company policy of continued product improvement, specifications may change without notice. Our sales office will be pleased to help you with the latest information on this product range and the details of our full design and manufacturing service. All products are supplied to our standard conditions of sale unless otherwise agreed in writing.

**Phone: (1) 973 777 6900**

**www.comus-intl.com**

**Fax: (1) 973 777 8405**

## **X-ON Electronics**

Largest Supplier of Electrical and Electronic Components

*Click to view similar products for [comus](#) manufacturer:*

Other Similar products are found below :

[WGA56D25Z](#) [WG660D110Z](#) [WG280A25Z](#) [PGN-SP-003](#) [WG660D10Z](#) [WGA316D25R](#) [WG660D90Z](#) [S1456](#) [S1366](#) [S1355](#) [WGA316D45R](#)  
[3570.1331.121](#) [WG280D90Z](#) [WGA312D25Z](#) [WG280D10R](#) [3572.1220.051](#) [WG660D125Z](#) [WGA56A10Z](#) [CTC 012](#) [CTI 302](#)  
[RF3002A/HFS30](#) [WG280D90R](#) [WG280A10Z](#) [WGA012D25](#) [WG660D25Z](#) [MS24](#) [PPS24](#) [3570.1411.053](#) [VFS30](#) [WG280D45R](#)  
[WG480D75Z](#) [WG660D75Z](#) [WGA56D25R](#) [PGN-SP-002](#) [WGA56D40Z](#) [WG660D50Z](#) [WG280D50Z](#) [WGA56A25Z](#) [WG280D75Z](#) [PSM](#)  
[S1747](#) [WG480D90Z](#) [WG480D40Z](#) [WG280A45Z](#) [MMPSA 240/30 LH](#) [PSSM](#) [MPSM](#) [3563.1231.053](#) [WGA56D10Z](#) [WG280D45Z](#)