

# Beacons

## Flashing Xenon

### 92 Series

Edwards 92 Series Xenon strobe beacons are light duty visual signals suitable for use in industrial, commercial and institutional applications where short term intermittent visual signaling is required. They feature brilliant light output and a cast base that can be utilized as a junction box. Optically designed fresnel lenses improve viewer perception for indoor and outdoor applications. Trigger and timing circuits are included as integral parts of the power supply. Replacement costs are reduced, as it is necessary to replace only the strobe tube.

The 92PLC Series strobe is electrically isolated from leakage current to prevent false flashes. This series offers single and double flash models.

### Features and Specifications

- Xenon strobe light source
- Flash rate 65 fpm
- Cast base can function as a junction box
- Optically designed fresnel lenses
- Suitable for indoor and outdoor applications
- For outdoor use, lens should face up
- Option for panel, conduit or box mounting
- Designed for 4" octagonal box mounting
- Operating temperature range: -31°F to 150°F (-35°C to 66°C)



5 5/8"



### Ordering Information

Description	Cat. No.	Lens Colors	Operating Voltage <sup>1</sup>	Current	Peak Candela	Strobe Tube Life <sup>2</sup>	Replacement	
							Lens	Strobe Tube
Xenon Strobe	92A-R5	Amber	240V AC	0.05 A	800,000	3,000 hr	V93-LA	
	92B-R5	Blue	240V AC	0.05 A	800,000	3,000 hr	V93-LB	
	92C-R5	Clear	240V AC	0.05 A	800,000	3,000 hr	V93-LC	92-ST
	92G-R5	Green	240V AC	0.05 A	800,000	3,000 hr	V93-LG	3,000 hour <sup>2</sup>
	92M-R5	Magenta	240V AC	0.05 A	800,000	3,000 hr	V93-LM	
	92R-R5	Red	240V AC	0.05 A	800,000	3,000 hr	V93-LR	
Xenon Strobe Single Flash	92PLCA-N5	Amber	120V AC	0.1 A	1,400,000	5,000 hr	V93-LA	
	92PLCB-N5	Blue	120V AC	0.1 A	1,400,000	5,000 hr	V93-LB	
	92PLCC-N5	Clear	120V AC	0.1 A	1,400,000	5,000 hr	V93-LC	92-LST
	92PLCG-N5	Green	120V AC	0.1 A	1,400,000	5,000 hr	V93-LG	1,400,000 cd <sup>2</sup>
	92PLCM-N5	Magenta	120V AC	0.1 A	1,400,000	5,000 hr	V93-LM	
Xenon Strobe Double Flash	92PLCR-N5	Red	120V AC	0.1 A	1,400,000	5,000 hr	V93-LR	
	92PLC-DFA-N5	Amber	120V AC	0.1 A	800,000	3,000 hr	V93-LA	
	92PLC-DFB-N5	Blue	120V AC	0.1 A	800,000	3,000 hr	V93-LB	
	92PLC-DFC-N5	Clear	120V AC	0.1 A	800,000	3,000 hr	V93-LC	92-LST
	92PLC-DFG-N5	Green	120V AC	0.1 A	800,000	3,000 hr	V93-LG	800,000 cd <sup>2</sup>
	92PLC-DFM-N5	Magenta	120V AC	0.1 A	800,000	3,000 hr	V93-LM	
	92PLC-DFR-N5	Red	120V AC	0.1 A	800,000	3,000 hr	V93-LR	

<sup>1</sup>AC voltage frequency is 50/60 Hz

<sup>2</sup>Calculated at operating power to 75% efficiency.

### Accessories

Description	Cat. No.
Corner Mount Bracket	CBR
Wall Mount Bracket	WBR



CBR  
Corner Mount Bracket



WBR  
Wall Mount Bracket



# Beacons

## Flashing Xenon

### 92 Series

#### Signal Input Load Characteristics

These devices may be operated by PLCs with output characteristics that match the input load requirements of the signal.

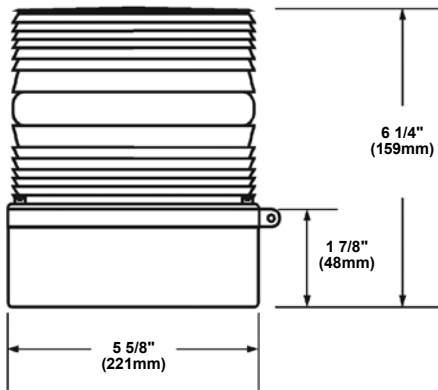
Cat. No.	Operating <sup>1</sup> Voltage	Max. Off State Leakage Current (A)	Continuous On Current (A)	Surge (inrush / duration)
92PLC*-N5	120V AC	0.005	0.100	20 A / .075 millisecond
92PLC-DF*-N5	120V AC	0.005	0.100	20 A / .075 millisecond

\*Letter in this position designates lens color: A - amber, B - blue, C - clear, G - green, M - magenta, or R - red  
<sup>1</sup>AC voltage frequency is 60 Hz

#### Weights and Dimensions

Cat. No.	Approx. Net Weight (lb.)	Approx. Shipping Weight (lb.)
92*-R5	1.70	2.03
92PLC*-N5	1.70	2.03
92PLC-DF*-N5	1.70	2.03
CBR	4.00	4.20
WBR	2.30	2.50

\*Letter in this position designates lens color: A - amber, B - blue, C - clear, G - green, M - magenta or R - red



## **X-ON Electronics**

Largest Supplier of Electrical and Electronic Components

*Click to view similar products for [Hearing & Vision Aids](#) category:*

*Click to view products by [Edwards Signaling](#) manufacturer:*

Other Similar products are found below :

[61432](#) [1225](#) [1301020021](#) [1301040058](#) [1301050019](#) [1301120070](#) [1301120177](#) [302SRL](#) [1677](#) [WT3C-20](#) [1652-12](#) [STR100](#) [61431](#) [61436](#)  
[AC-MAG30X](#) [1301910031](#) [1301120134](#) [1301120105](#) [1301120135](#) [1301120111](#) [1301120073](#) [1301120072](#) [1301040057](#) [1301040056](#)  
[1301040054](#) [WT6C-25](#) [1301080229](#) [1049](#) [H6A/V](#) [1301120068](#) [11477-00000-10](#) [SCH-A08975](#) [1083-3HON](#) [323526](#) [1301080015](#)  
[1301120128](#) [1301120129](#) [1301120132](#) [1301120133](#) [11513-00000-20](#) [311-1101](#) [H7A](#) [26700-230](#) [26505-ESL-XL5](#) [26505-MX5](#) [26505-LED-](#)  
[XL3](#) [26501-SIV-T5](#) [26501-LED-INX](#) [26535](#) [26536](#)