



## Switching, Sensing and Control Solutions

from GENTECH INTERNATIONAL LTD

Grangestone Industrial Estate, Girvan, Ayrshire KA26 9PS, United Kingdom

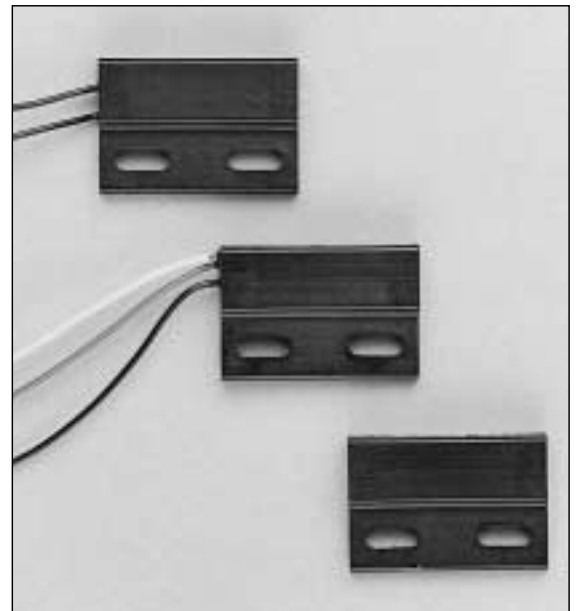
Telephone: +44 (0) 1465-713581. Fax: +44 (0) 1465 714974

Email: sales@gentech-international.co.uk

Website: www.gentechinternational.com

# PS1/PM1 & PS2/PM2 SERIES

## POSITION SENSORS



### DESIGN FEATURES

- Normally open, normally closed or changeover contact options
- UL listed models, PS2/PM2 range, file no.E153493
- Robust potted assembly in glass filled Nylon 6.6 UL 94-HB housing
- Cost effective, easy to install. Termination leads can be left or right handed to suit individual requirements
- Proven reed switch reliability, contact ratings up to 100Vdc, 15watts

The Gentech PS1 and PS2 Series of magnetic reed switch position sensors provide reliability and a robust construction suitable for dirty, oily, greasy, wet and similarly harsh environments. Operated by a similarly packaged (PM Series) magnet, the combination is suitable for direct magnet or shunt operation. PS Series position sensors meet a wide variety of application needs in security and safety systems, office equipment, fluid level sensing and management, construction plant, the automotive and many other industries.

### TYPICAL APPLICATIONS

- Security switches
- Interlocked switches
- Pulse generation
- Position indicators
- Materials handling
- Hook switches

### Operational Characteristics

Switch Option		01	02	03
Contact Configuration		<b>SPST(NO)</b>	<b>SPST(NC)</b>	<b>SPDT</b>
Contact ratings				
Maximum (resistive loads)	Volts DC	500	130	130
	Volts AC	250	100	100
	Amps	1.0	0.3	0.3
	Watts	15	3	3
Minimum breakdown voltage across contacts	Volts	800	200	200
Initial contact resistance	Ohms	0.15	0.2	0.2

*The above contact ratings are for resistive loads. For inductive, capacitive and tungsten filament lamp loads refer to the circuit protection notebook.*

### Environmental Specifications

#### Temperature Range

Magnet and Sensor  
Cable insulation

#### Operate and Storage

-30° to +105°C  
-30° to +70°C

### Electrical Connections

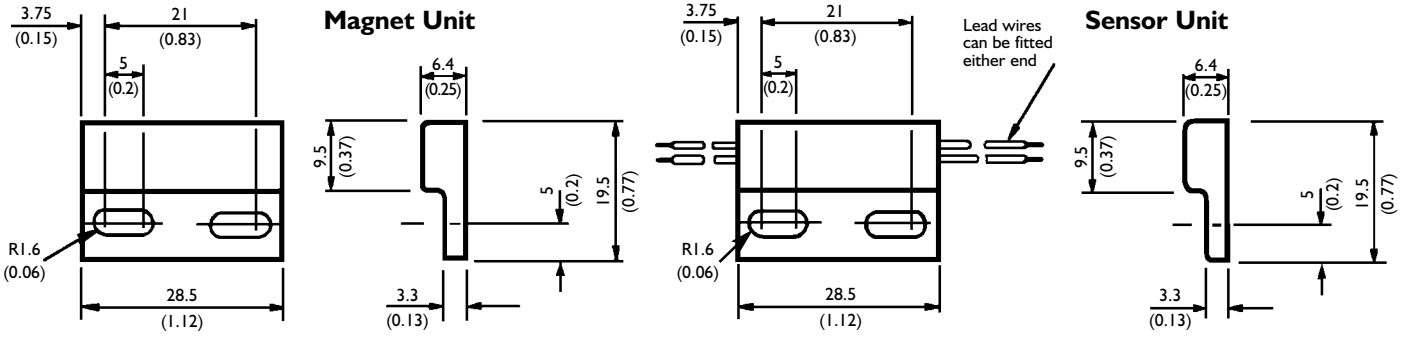
PS1 Range Switch Option 01 & 02 are fitted with 2 x 0.5 metre of 24AWG, 7/0.2mm stranded, with PVC insulation.

PS1 Range Switch Option 03 is fitted with 3 x 0.5 metre of 24AWG, 7/0.2mm stranded, with PVC insulation.

PS2 Range Switch Option 01 & 02 are fitted with 2 x 0.5 metre of 20AWG stranded, UL1015 with orange PVC insulation.

PS2 Range Switch Option 03 is fitted with 3 x 0.5 metre of 24AWG stranded, UL1569 with black, yellow & blue PVC insulation.

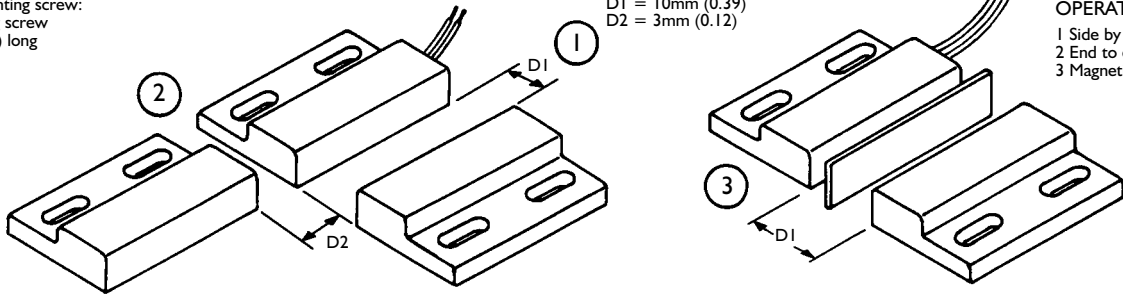
# PS1/PM1 & PS2/PM2 (UL LISTING)



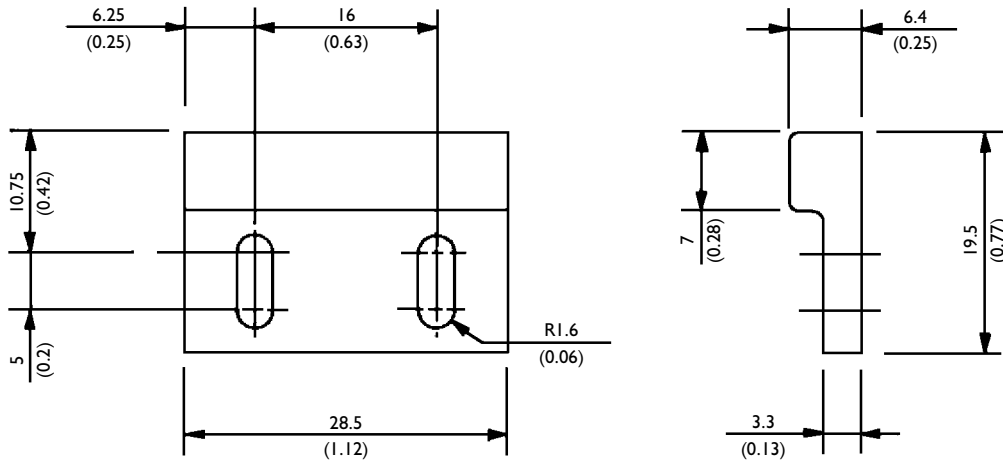
Recommended mounting screw:  
Pan head self tapping screw  
No.4 x 9.5mm (0.37) long

Maximum operate distance (all models)  
D1 = 10mm (0.39)  
D2 = 3mm (0.12)

MODES OF OPERATION  
1 Side by side  
2 End to end  
3 Magnetic shunt



## PM102 MAGNET



### Installation

Please contact Sales at Gentech for installation instructions (Ref. FI 1000-R1)

### Applications

Please contact Sales at Gentech for applications relating to this product group.



GENTECH INTERNATIONAL LTD  
Grangestone Industrial Estate, Girvan, Ayrshire KA26 9PS, United Kingdom  
Telephone: +44 (0) 1465-713581. Fax: +44 (0) 1465 714974  
Email: sales@gentech-international.co.uk  
Website: www.gentechinternational.com

## X-ON Electronics

Largest Supplier of Electrical and Electronic Components

*Click to view similar products for [Industrial Motion & Position Sensors](#) category:*

*Click to view products by [Gentech](#) manufacturer:*

Other Similar products are found below :

[595002M9474](#) [01071901](#) [6015-1002-030](#) [D02318603](#) [70U1N048S104U](#) [G8652](#) [G8744](#) [GA1T040F103UA](#) [GA1T100F502UA-A](#)  
[GA2G140F252UA-A](#) [GA2T044S103UA-B](#) [GPS8627](#) [GS1N048P103UA](#) [GS2T032F253BA](#) [GS4T040F503UC](#) [GS8367B](#) [GS8819](#) [9811405](#)  
[17M701-C](#) [JA3G032P501UA-A](#) [KJ5-M18MB60-AZS](#) [RV8NAYSB104A](#) [27M226](#) [29M426](#) [9810825](#) [9870706](#) [F07008036](#) [SPSN048P202U](#)  
[F65118112](#) [GA2M028S102MC](#) [GA2M028S502RA](#) [GA2P056F254UA](#) [GA2T056F502UA](#) [GH8810](#) [25M921](#) [GS8362](#) [CM47070](#) [CR121250](#)  
[31M573](#) [380000M8643](#) [385500M9303](#) [388037M6962](#) [388517025480039](#) [388580038670069](#) [388818078120022](#) [388860073800031](#)  
[388C11M9548](#) [388C24160090003](#) [389504075810001](#) [389767001230861](#)