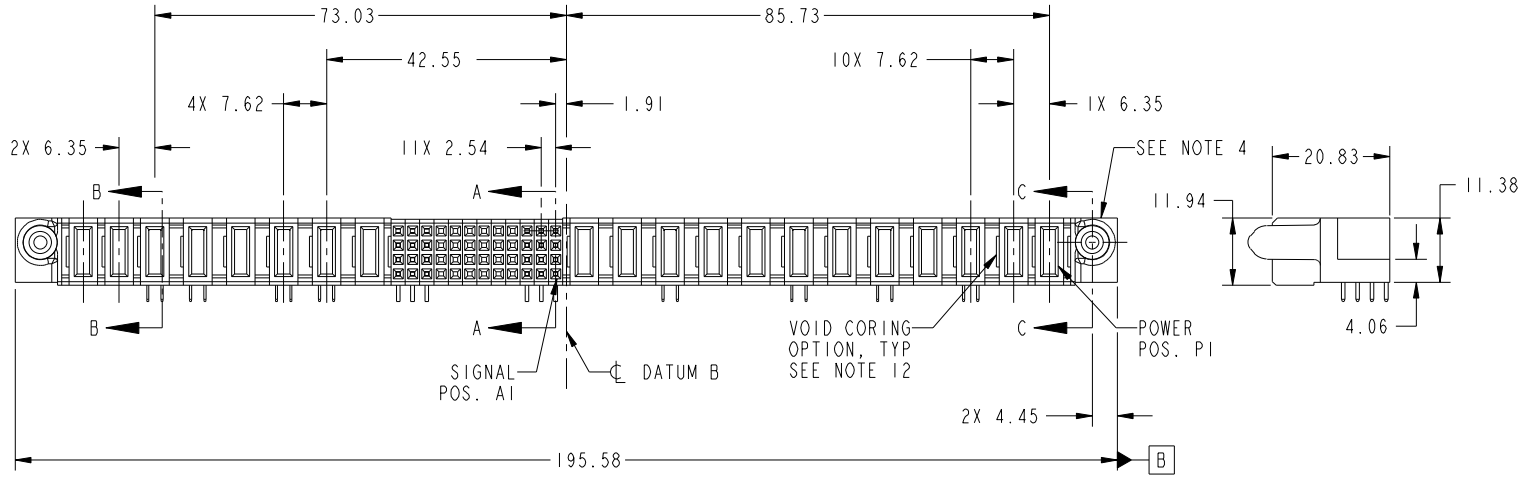


Tous droits strictement reserves. Reproduction ou communication a des tiers interdite sous quelque forme que ce soit sans autorisation écrite du propriétaire. Propriete de c FCI. Droits de reproduction FCI.



All rights strictly reserved. Reproduction or issue to third parties in any form whatever is not permitted without written authority from the proprietor. Property of FCI. Copyright FCI.

PRODUCT NO. 51915-260-- NOTE 3	ROWS D B A	POWER								SIGNAL								POWER								E1											
		E2	P20	P19	P18	P17	P16	P15	P14	P13	12	11	10	9	8	7	6	5	4	3	2	1	P12	P11	P10		P9	P8	P7	P6	P5	P4	P3	P2	P1		
		X	X	PC	PC	X	PC	PC	X	H	H	X	X	X	X	X	X	X	X	X	X	H	H	X	X	PA	X	X	PC	X	PC	X	PC	X	X		
										G	G	X	X	X	X	X	X	X	X	X	G	G															
										F	F	X	X	X	X	X	X	X	X	X	F	F															
										E	E	X	X	X	X	X	X	X	X	X	E	E															



CODE	DIM "M" MATING LENGTH	CONTACT TYPE
PC	[2.34]	POWER
H	[N/A]	SIGNAL
G	[N/A]	SIGNAL
F	[N/A]	SIGNAL
E	[N/A]	SIGNAL
PA	[1.07]	POWER
X	OMITTED	OMITTED

mat'l code				SEE NOTE 2		tolerances unless otherwise specified		CUSTOMER	
ltr	ecn no.	dr	date	linear	0.X ± 0.5	projection		COPY	
A	DG10-0119	WD	03/29/10	angles	0.XX ± 0.25	MIM		title	
				dr	0.XXX ± 0.1	13:16		12P + 48S + 8P	
				enr	0° ± 2°			R/A SOLDER RECEPTACLE	
				chr	WARREN DU 03/24/10			product family PwrBlade code	
				appd	WARREN DU 03/24/10			size 213	
					PM ZHENG 03/24/10			dwg no 51915-260 sheet	
					JOSEPH HSIA 03/24/10			1 of 4	
sheet index	revision sheet	A	A	A	A			cage code 22526	
		1	2	3	4				

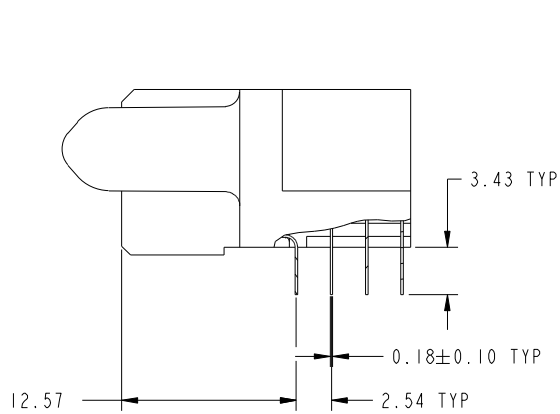
www.fciconnect.com	
product family PwrBlade code 213	
size 213	
dwg no 51915-260 sheet 1 of 4	
cage code 22526	

Tous droits strictement reserves. Reproduction ou communication a des tiers interdite sous quelque forme que ce soit sans autorisation écrite du propriétaire. Propriete de c FCI. Droits de reproduction FCI.

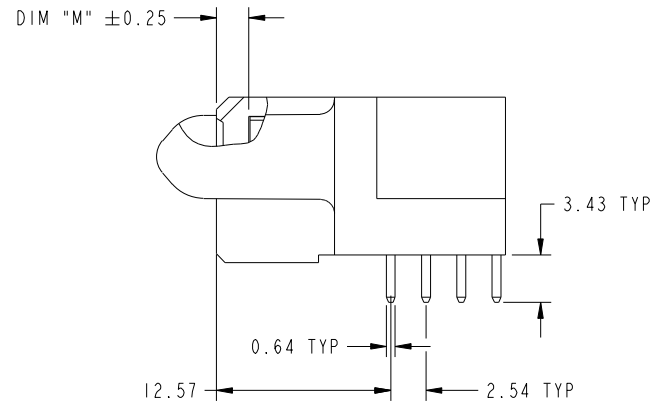
All rights strictly reserved. Reproduction or issue to third parties in any form whatever is not permitted without written authority from the proprietor. Property of FCI. Copyright FCI.



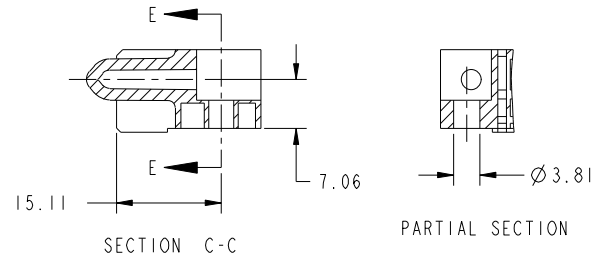
PRODUCT NUMBER
51915-260--
NOTE 3



BROKEN-OUT SECTION A-A
SCALE 2:1



BROKEN-OUT SECTION B-B
SCALE 2:1



mat'l code				SEE NOTE 2		tolerances unless otherwise specified		CUSTOMER		FCI	
ltr	ecn no.	dr	date	linear	0.X ± 0.5		COPY		www.fciconnect.com		
A					0.XX ± 0.25		projection		title		
					0.XXX ± 0.1				12P + 48S + 8P R/A SOLDER RECEPTACLE		
				angles	0° ± 2°				product family		code
				dr	WARREN DU	03/24/10	scale		PwrBlade		213
				enr	WARREN DU	03/24/10	1:1		size		sheet
				chr	PM ZHENG	03/24/10			dwg no		2 of 4
				appd	JOSEPH HSIA	03/24/10			A		51915-260
sheet index	revision sheet										

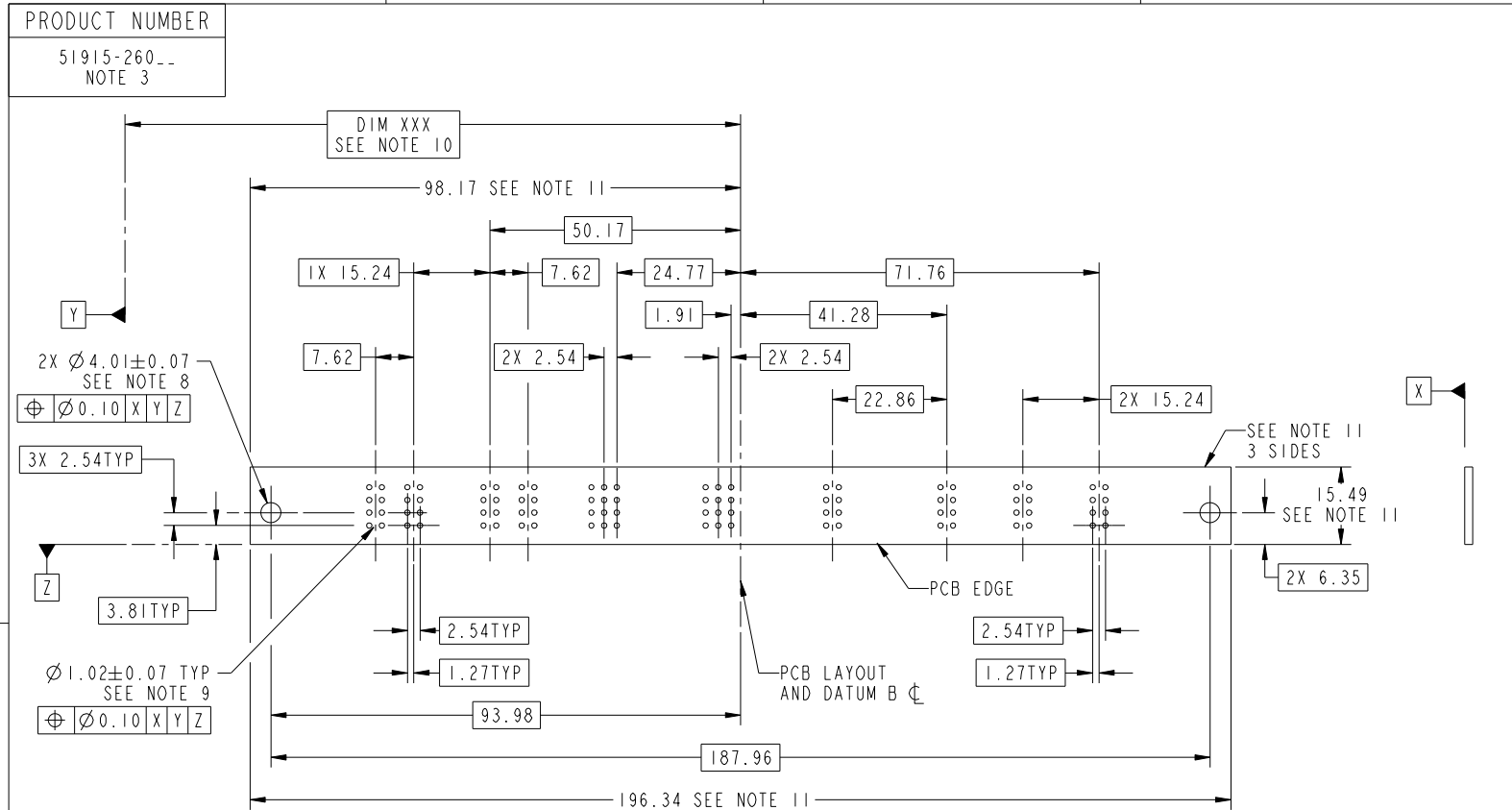
cage code 22526

Pro/E

Tous droits strictement reserves. Reproduction ou communication a des tiers interdite sous quelque forme que ce soit sans autorisation écrite du propriétaire. Propriete de c FCI. Droits de reproduction FCI.



All rights strictly reserved. Reproduction or issue to third parties in any form whatever is not permitted without written authority from the proprietor. Property of FCI. Copyright FCI.



RECOMMENDED PCB LAYOUT

mat'l code		SEE NOTE		tolerances unless otherwise specified		CUSTOMER		FCI		www.fciconnect.com		
ltr	ecn no.	dr	date	linear	0.X ± 0.5	COPY				title		
A					0.XX ± 0.25	projection				12P + 48S + 8P		code
				angles	0.XXX ± 0.1					R/A SOLDER RECEPTACLE		
				dr	0° ± 2°	scale		product family		PwrBlade	code	
				enr	WARREN DU 03/24/10	13:16		size		dwg no	213	
				chr	WARREN DU 03/24/10	A		51915-260		sheet	3 of 4	
				appd	PM ZHENG 03/24/10					3 of 4		
					JOSEPH HSIA 03/24/10							
sheet index	revision sheet											

cage code 22526

Pro/E

Tous droits strictement reserves. Reproduction ou communication a des tiers interdite sous quelque forme que ce soit sans autorisation écrite du propriétaire. Propriete de c FCI. Droits de reproduction FCI.

All rights strictly reserved. Reproduction or issue to third parties in any form whatever is not permitted without written authority from the proprietor. Property of FCI. Copyright FCI.

PRODUCT NUMBER
51915-260--
NOTE 3

NOTES:

1. DIMENSIONS AND TOLERANCES ARE IN ACCORDANCE WITH ASME Y14.5M, 1994 UNLESS OTHERWISE SPECIFIED.

CONNECTOR NOTES:

- 2. HOUSING MATERIAL: UL 94 V-0 GLASS FILLED HIGH-TEMP THERMOPLASTIC
POWER CONTACT MATERIAL: COPPER ALLOY
SIGNAL PIN MATERIAL: COPPER ALLOY
 - 3. PLATING:
SEE ITEM 5 & 6 IN PRINT 10064183 FOR PLATING SPEC. 51915-260, 51915-260LF PLATING SPEC. RESPECTIVELY.
 - 4. MANUFACTURER'S NAME, DATE CODE AND OPTIONAL P/N TO APPEAR ON THIS SURFACE. THE P/N CAN BE OMITTED IF THERE IS NOT ENOUGH SPACE ON THIS SURFACE.
 - 5. PRODUCT SPECIFICATION GS-12-149.
APPLICATION SPECIFICATION BUS-20-067.
 - 6. PACKAGED IN TRAYS.
- PCB NOTES:
- 7. ALL HOLE DIAMETERS ARE FINISHED HOLE SIZE.
 - 8. MOUNTING HOLES, WHERE APPLICABLE, ARE UNPLATED.
 - 9. $\varnothing 1.151 \pm 0.025$ DRILLED HOLES PLATED WITH
0.008 MIN SnPb OR Sn OVER 0.03
TO 0.08 Cu PLATING TO ACHIEVE
 $\varnothing 1.02 \pm 0.07$ HOLE.
 - 10. "DIM XXX" TO BE DETERMINED BY THE CUSTOMER.
 - 11. CONNECTOR KEEP-OUT ZONE.
 - 12. THE VOID CORING IN BETWEEN POWER MODULES, SIGNAL MODULES AND END MODULES ARE OPTIONAL AND THE SHAPE MAY BE DIFFERENT FOR OPTIMIZE THE MOLDING PROCESS. THE VOID CORING WILL NOT EFFECT TO PRODUCT FUNCTION.

mat'l code		SEE NOTE 2		tolerances unless otherwise specified		CUSTOMER		FCI		www.fciconnect.com	
ltr	ecr no.	dr	date	linear	0.X ± 0.5	COPY		 title 12P + 48S + 8P R/A SOLDER RECEPTACLE			
A					0.XX ± 0.25	projection					
				angles	0.XXX ± 0.1	 MIM					
				dr	WARREN DU 03/24/10	product family		PwrBlade	code	213	
				enr	WARREN DU 03/24/10	size		dwg no	4 of 4		
				chr	PM ZHENG 03/24/10	scale		A		51915-260	
				appd	JOSEPH HSIA 03/24/10	1:1					
sheet index	revision sheet										

cage code 22526

Pro/E

X-ON Electronics

Largest Supplier of Electrical and Electronic Components

Click to view similar products for [Heavy Duty Power Connectors](#) category:

Click to view products by [FCT Electronics](#) manufacturer:

Other Similar products are found below :

[1424439](#) [1424438](#) [09330062652](#) [2-8675P1](#) [580129-2](#) [605601-1](#) [6340G1](#) [6341G1](#) [6360G1](#) [6373G1](#) [6374g2](#) [6396G1](#) [647757-1](#) [66394-4](#)
[6643411-1](#) [6646058-2](#) [6646137-1](#) [6646138-1](#) [6646348-1](#) [6646479-1](#) [6646608-1](#) [6646786-1](#) [6646940-1](#) [6651091-1](#) [6651525-1](#) [6651529-1](#)
[6651778-1](#) [6651788-1](#) [696465-1](#) [696475-1](#) [73000005059](#) [73000005349](#) [73000005642](#) [73080255059](#) [73080965046](#) [765-15-0080A](#)
[765-16-0080B](#) [789.700-44](#) [789.700-54](#) [80-1010](#) [80-9](#) [827381-1](#) [829992-1](#) [902-77-02113](#) [PL00U-301-10D10](#) [PM103MOOLOO](#)
[PM16S1620S32-50](#) [PM212MOOLOO](#) [PM309FOOLOO](#) [PM324FOOLCH](#)