

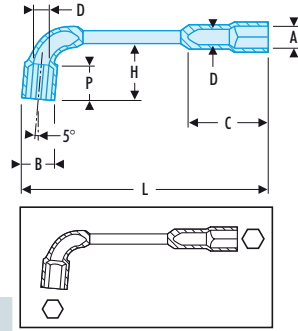
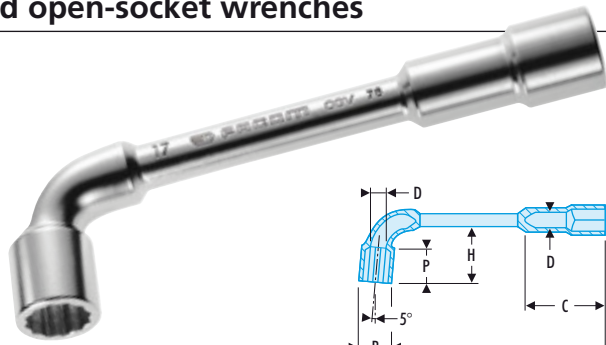
Socket wrenches

76 Forged metric 12 x 6 point OGV® angled open-socket wrenches

▷ ISO 2236, NF ISO 2236.

- Satin chrome finish.

76	B	C	P	D	H	L	ΔΔ
A mm	mm	mm	mm	mm	mm	mm	g
76.6	10	23	6	5	16	102	32
76.7	11	24	7	5	17	106	41
76.8	12,5	27	8	7	19	114	60
76.9	13,5	28	9	7	20	122	65
76.10	15	30	10	8	24	129	95
76.11	16,5	32	11	8	25	136	114
76.12	18	38	11	9	28	144	152
76.13	19,5	40	12	9	30	152	175
76.14	21	42	13	10,5	32	160	200
76.15	22,5	44	14	10,5	34	169	225
76.16	24	49	16	13	37	178	285
76.17	25,5	51	17	13	39	187	312
76.18	26,5	53	18	13	40	195	365
76.19	28,5	54	19	15	41	204	430
76.20	29,5	56	20	15	43	212	440
76.21	30,5	58	21	15	46	221	490
76.22	32	60	22	15	48	230	535
76.23	33,5	67	23	18	51	240	625
76.24	34,5	70	24	18	54	250	660
76.25	36	72	25	20	56	260	785
76.26	37	73	26	20	57	270	795
76.27	38	77	27	22	58	280	950
76.28	39,5	79	28	22	60	290	950
76.29	41	80	29	22	62	300	1050



76	B	C	P	D	H	L	ΔΔ
A mm	mm	mm	mm	mm	mm	mm	g
76.30	42	87	30	24	64	310	1300
76.31	43,5	90	30	24	70	320	1385
76.32	44,5	92	31	24	74	330	1400
76.33	46	96	32	27	79	340	1480
76.34	47	99	33	27	80	350	1550
76.35	48,5	100	34	27	81	360	1630
76.36	49,5	101	35	27	82	370	1700
76.38	52	103	37	28	85	390	2080

76 Metric and inch angled socket wrench sets

- Supplied as box or panel sets.

76	mm/°	ΔΔ
	mm/°	kg
76.JN8	8-10-11-13-17-19-22-24	2,37
76.JN10	8-10-11-12-13-14-16-17-18-19	2,16
76.JE16	8-9-10-11-12-13-14-15-16-17-18-19-21-22-23-24	4,7
76.P22M	8-9-10-11-12-13-14-15-16-17-18-19-21-22-23-24-26-27-28-29-30-32	13,34



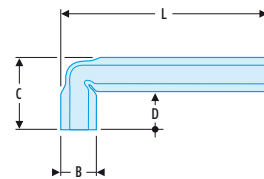
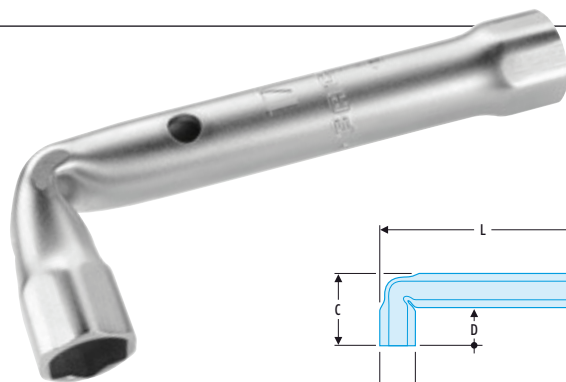
▶ Box wrench series

92A Metric angled box wrenches

▷ ISO 2236, NF ISO 2236.

- Will reach nuts on threaded rods.
- Through hole for inserting bar 160A.
- Chrome finish.

92A	Suitable bar	B	C	D	L	ΔΔ
		mm	mm	mm	mm	g
92A.4	160A.1	6,3	23,5	16,5	95	20
92A.5	160A.1	8,8	23,5	16,5	95	20
92A.5,5	160A.1	9,3	25	18	95	25
92A.6	160A.1	9,9	26,5	17,5	100	30
92A.7	160A.1	11,1	28,5	19,5	100	30
92A.8	160A.1	12,7	31,5	20,5	109	48
92A.9	160A.1	13,9	33	22	109	46
92A.10	160A.1	15,5	36,5	23,5	118	68
92A.11	160A.1	16,7	36,5	23,5	118	70
92A.12	160A.1	18,9	43	27	127	100
92A.13	160A.1	19,5	43	27	127	110
92A.14	160A.1	21,2	49	31	136	155
92A.15	160A.1	22,3	49	31	136	160
92A.16	160A.1	23,4	55	35	145	190
92A.17	160A.1	24,5	55	35	145	200
92A.18	160A.1	25,8	61	39	154	225
92A.19	160A.1	27	61	39	154	230
92A.20	160A.1	29,1	66,5	41,5	163	320



92A	Suitable bar	B	C	D	L	ΔΔ
		mm	mm	mm	mm	g
92A.21	160A.1	30,3	67,5	41,5	163	325
92A.22	160A.1	31,4	68	42	172	350
92A.23	160A.1	32,5	72,5	46,5	172	390
92A.24	160A.2	33,7	74,5	45,5	180	415
92A.27	160A.2 or 160A.3	38,2	81	49	190	520
92A.30	160A.2 or 160A.3	41,8	86,5	53,5	205	640
92A.32	160A.2 or 160A.3	44,5	93	57	215	785



X-ON Electronics

Authorized Distributor

Click to view similar products for [Facom](#) manufacturer.

Other Similar products are found below :

[VE3PB](#) [AMR](#) [ANX30X125](#) [AP3X150VE](#) [AEJ1](#) [AEFJ2](#) [AWHH3X75](#) [A402J2](#)
[A35X100VE](#) [985753](#) [7519](#) [A55X150VE](#) [R360NANO](#) [R217](#) [427MT](#) [89SJP8](#) [405E](#)
[40512E](#) [ANJ4PB](#) [AR55X150](#) [R32](#) [AND1X100](#) [AEFJ1](#) [758](#) [251A25](#)