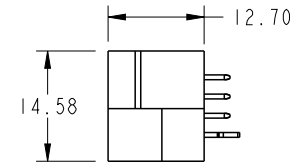
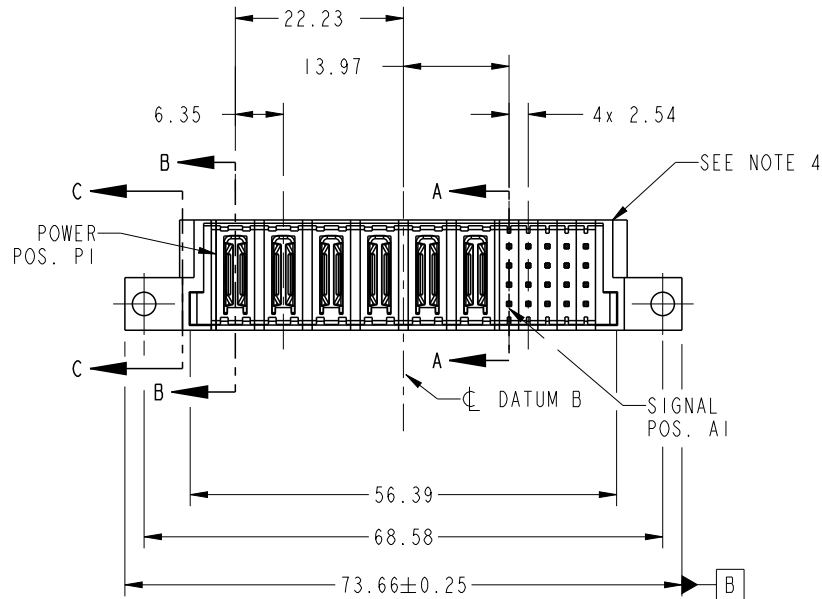
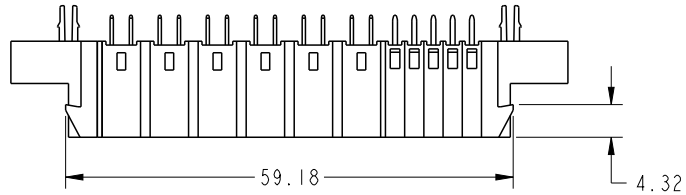


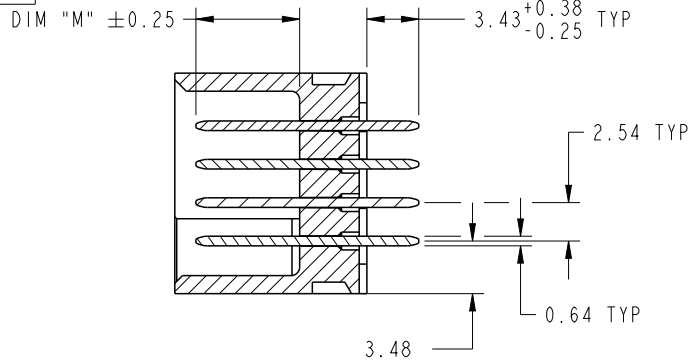
PRODUCT NO.	ROWS	POWER						SIGNAL						
		E1	P1	P2	P3	P4	P5	P6	1	2	3	4	5	E2
51952-263-- NOTE ③	DCBA		PA	PA	PA	PA	PA	PA	E	E	E	E	E	



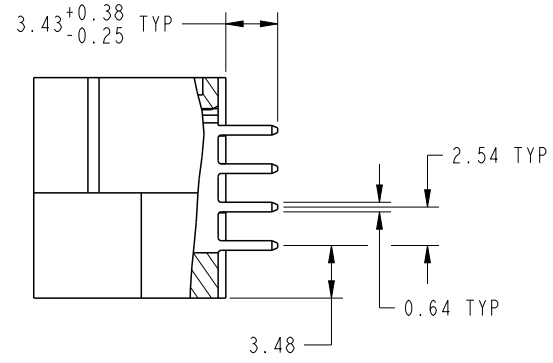
CODE	DIM "M" MATING LENGTH	CONTACT TYPE
PA	[N/A]	POWER
E	[6.86]	SIGNAL
HA	[N/A]	HOLD-DOWN

spec ref	See Notes			dr	Luo Weller	2013/09/20	projection 	MM ←→	size	A4	scale	1:1				
tolerance std	TOLERANCES UNLESS OTHERWISE SPECIFIED			eng	Luo Weller	2013/10/16			ecn no	-						
See Notes				chr	-	-			product family	PwrBlade		rel level	Released			
surface	✓	linear	0.X	±0.50	FCI www.fci.com	title	6P+20S VERTICAL SOLDER HEADER		dwg no	51952-263		rev	A			
			0.XX	±0.25									cat. no.	&model_name	Product - Customer Drw	sheet 1 of 4
		angular	0°	±2°												

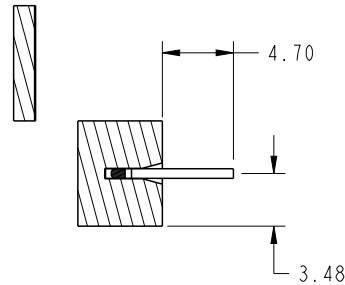
PRODUCT NUMBER
51952-263--
NOTE 3



SECTION A-A
SCALE 2:1



SECTION B-B
SCALE 2:1



SECTION C-C
SCALE 2:1

dr	Luo Weller	2013/09/20	projection 	MM 	size	A4	scale	1:1	
eng	Luo Weller	2013/10/16			ecn no	-			
chr	-	-			rel level	Released			
appr	Pei-Ming Zheng	2013/10/16	product family	PwrBlade					
		title	6P+20S VERTICAL SOLDER HEADER		dwg no	51952-263		rev	A
www.fci.com		cat. no.	&model_name	Product - Customer Drw		sheet 2 of 4			

PRODUCT NUMBER

51952-263__
NOTE 3

NOTES:

1. DIMENSIONS AND TOLERANCES ARE IN ACCORDANCE WITH ASME Y14.5M, 1994 UNLESS OTHERWISE SPECIFIED.

CONNECTOR NOTES:

- 2 HOUSING MATERIAL: UL 94 V-0 GLASS FILLED HIGH-TEMP THERMOPLASTIC
POWER CONTACT MATERIAL: COPPER ALLOY
SIGNAL PIN MATERIAL: COPPER ALLOY
 - 3. SEE ITEM 1 & 2 IN PRINT 10064183 FOR PLATING SPEC OF 51952-263 AND 51952-263LF RESPECTIVELY.
 - 4 MANUFACTURER'S NAME, DATE CODE AND OPTIONAL P/N TO APPEAR ON THIS SURFACE. THE MARK CAN BE OMITTED IF THERE IS NOT ENOUGH SPACE ON THIS SURFACE.
 - 5. PRODUCT SPECIFICATION GS-12-149.
APPLICATION SPECIFICATION BUS-20-067.
 - 6. PACKAGED IN TRAYS.
- PCB NOTES:
- 7. ALL HOLE DIAMETERS ARE FINISHED HOLE SIZE.
 - 8. MOUNTING HOLES, WHERE APPLICABLE, ARE UNPLATED.

9 $\varnothing 1.151 \pm 0.025$ DRILLED HOLES PLATED WITH 0.008 MIN SnPb OR Sn OVER .001 [0.03] TO 0.08 Cu PLATING TO ACHIEVE $\varnothing 1.02 \pm 0.07$ HOLE.

10 CONNECTOR KEEP-OUT ZONE.

dr	Luo Weller	2013/09/20	projection 	MM 	size	A4	scale	1:1
eng	Luo Weller	2013/10/16			ecn no	-		
chr	-	-						
appr	Pei-Ming Zheng	2013/10/16	product family	PwrBlade	rel level	Released		
	title	6P+20S VERTICAL SOLDER HEADER		dwg no	51952-263		rev	A
www.fci.com	cat. no.	&model_name	Product - Customer Drw		sheet 4 of 4			



Copyright FCI.

X-ON Electronics

Largest Supplier of Electrical and Electronic Components

Click to view similar products for [Heavy Duty Power Connectors](#) category:

Click to view products by [FCT Electronics](#) manufacturer:

Other Similar products are found below :

[1424439](#) [1424438](#) [09330062652](#) [2-8675P1](#) [580129-2](#) [605601-1](#) [6340G1](#) [6341G1](#) [6360G1](#) [6373G1](#) [6374g2](#) [6396G1](#) [647757-1](#) [66394-4](#)
[6643411-1](#) [6646058-2](#) [6646137-1](#) [6646138-1](#) [6646348-1](#) [6646479-1](#) [6646608-1](#) [6646786-1](#) [6646940-1](#) [6651091-1](#) [6651525-1](#) [6651529-1](#)
[6651778-1](#) [6651788-1](#) [696465-1](#) [696475-1](#) [73000005059](#) [73000005349](#) [73000005642](#) [73080255059](#) [73080965046](#) [765-15-0080A](#)
[765-16-0080B](#) [789.700-44](#) [789.700-54](#) [80-1010](#) [80-9](#) [827381-1](#) [829992-1](#) [902-77-02113](#) [PL00U-301-10D10](#) [PM103MOOLOO](#)
[PM16S1620S32-50](#) [PM212MOOLOO](#) [PM309FOOLOO](#) [PM324FOOLCH](#)