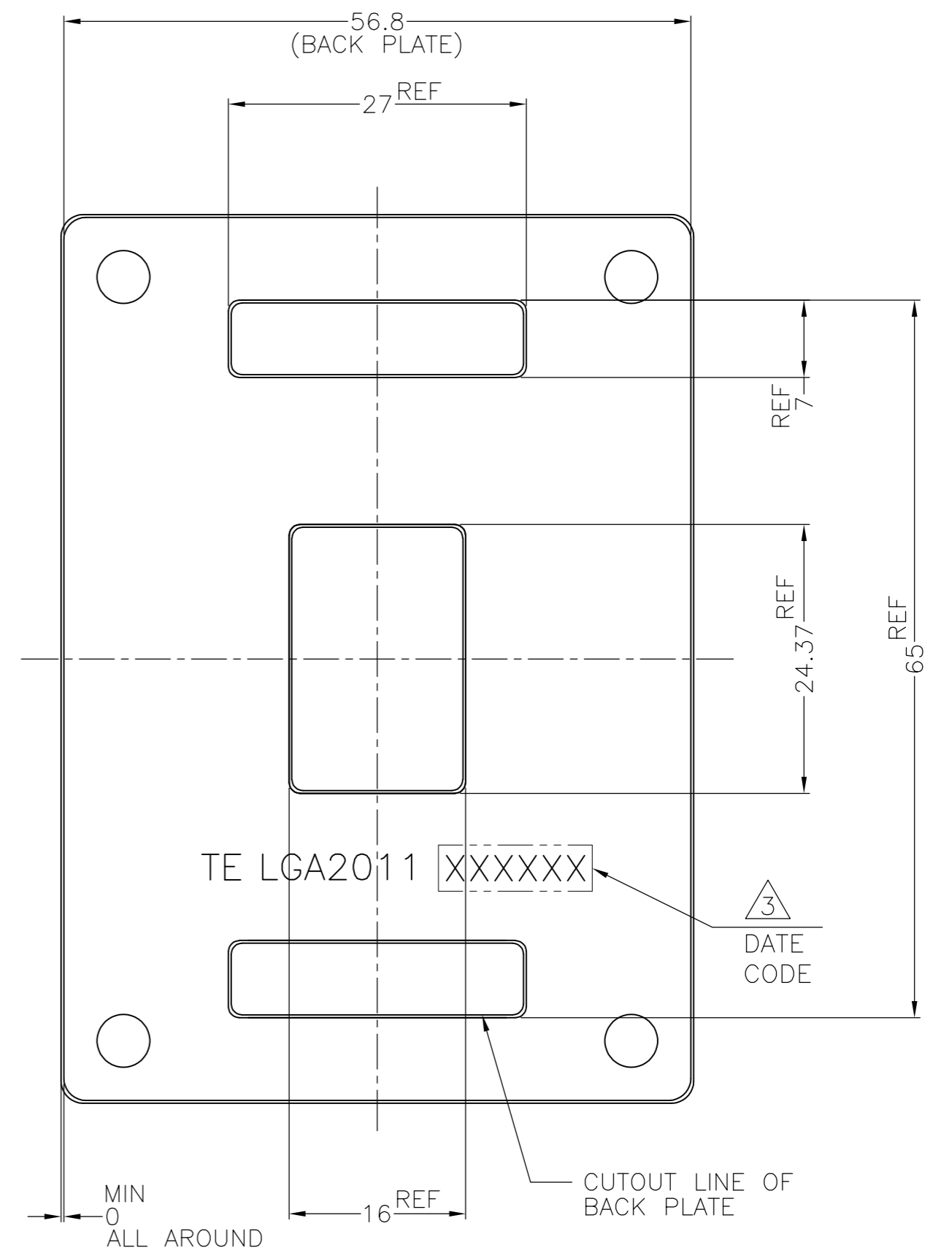
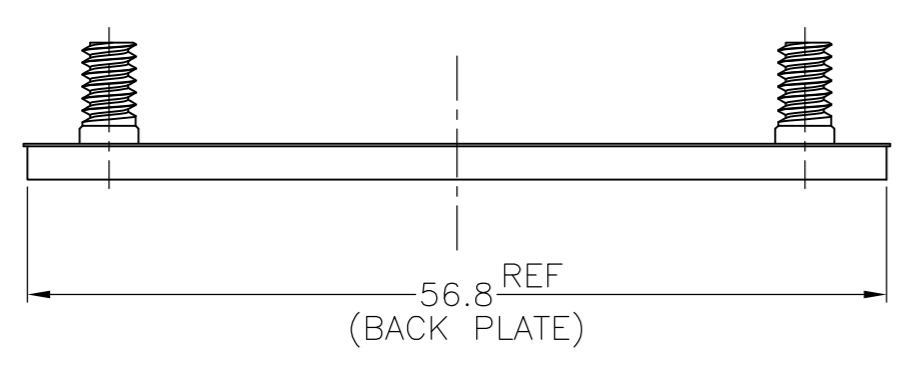
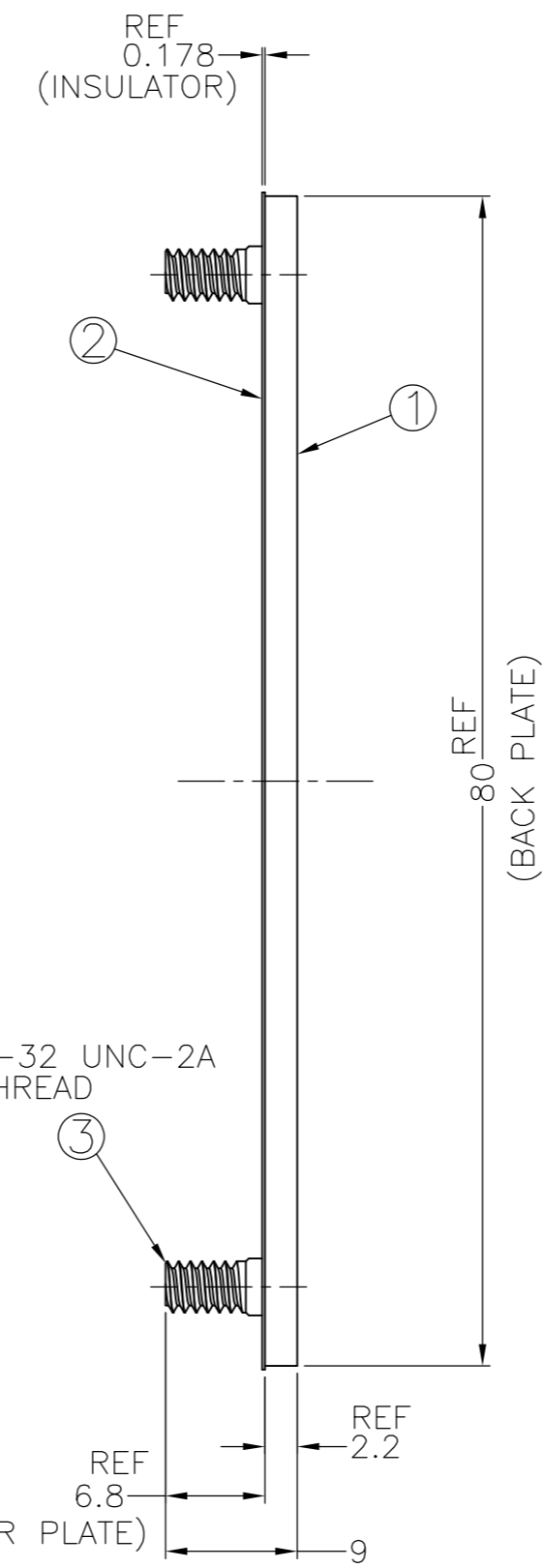
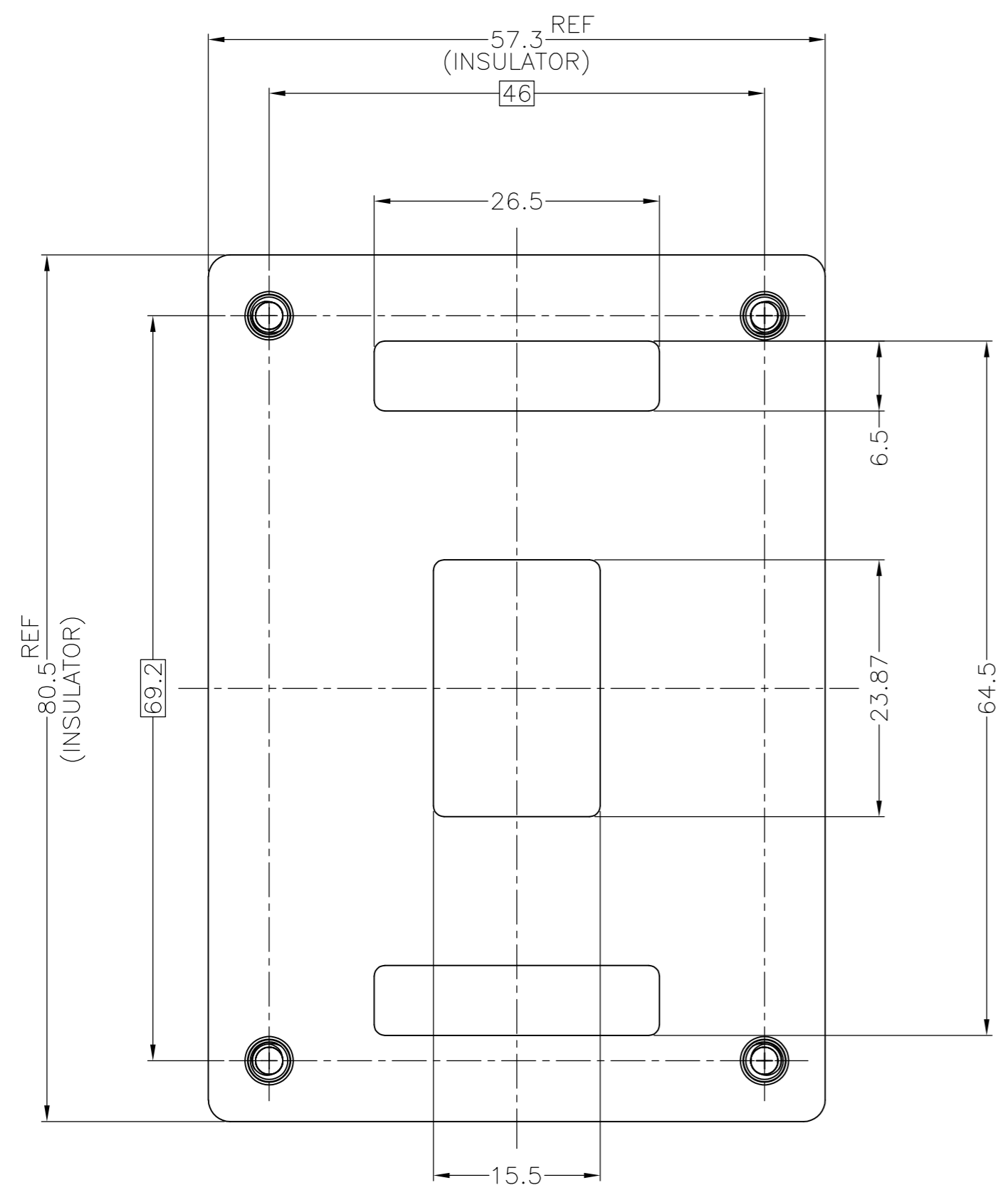


THIS DRAWING IS UNPUBLISHED. RELEASED FOR PUBLICATION
 © COPYRIGHT - By Tyco Electronics Japan G.K. ALL RIGHTS RESERVED.

LOC		DIST		REVISIONS			DATE	DWN	APVD
J		-		P	LTR	DESCRIPTION			
				A		RELEASE	04SEP'11	J.C	T.N



- MATERIAL:
 - BACK PLATE: STEEL, FINISH: Ni PLATING
 - INSULATOR: POLYCARBONATE FILM PLUS ACRYLIC ADHESIVE LAYER
 - STUD: STEEL, FINISH: Ni PLATING
- ASSEMBLED WITH ILM ASSEMBLY P/N: 2134439 SERIES
- INDICATED DATE CODE ON THE BACK PLATE
- APPLICABLE PCB THICKNESS: 2.86~3.58mm

P/N: 2134440-3 AS SHOWN

THIS DRAWING IS A CONTROLLED DOCUMENT.		DWN J.CHEN 04SEP2011	TE Connectivity	
DIMENSIONS: 单位: 毫米 mm		CHK H.TAGUCHI 04SEP2011		
TOLERANCES UNLESS OTHERWISE SPECIFIED: 一般公差		APVD T.NAKASHIMA 04SEP2011	NAME 名称	
0-PLC ± ±0.3 1-PLC ± ±0.3 2-PLC ± ±0.3 3-PLC ± ±0.3 4-PLC ± ±0.3 ANGLES ± ±		PRODUCT SPEC 108-78750	BACK PLATE ASSY LGA2011	
MATERIAL 材料		APPLICATION SPEC 114-5474	SIZE A2	CAGE CODE 00779
FINISH 仕上		WEIGHT 68g	DRAWING NO 番号 C=2134440-3	RESTRICTED TO -
		CUSTOMER DRAWING	SCALE 2:1	SHEET 1 OF 1

X-ON Electronics

Largest Supplier of Electrical and Electronic Components

Click to view similar products for IC & Component Sockets category:

Click to view products by TE Connectivity manufacturer:

Other Similar products are found below :

[714-43-102-31-012000](#) [0066-3-17-15-30-14-02-0](#) [0134-0-15-15-32-27-04-0](#) [614-DG5](#) [6527-0-00-15-00-00-03-0](#) [670](#) [672](#) [673](#) [712-93-120-41-001000](#) [714-93-104-31-018000](#) [8059-4G1-LF](#) [807-22-001-10-001101](#) [807-22-001-10-003101](#) [807-22-001-10-004101](#) [807-22-001-10-006101](#) [807-22-001-30-011101](#) [807-22-001-30-012101](#) [807-22-001-30-013101](#) [807-22-001-30-014101](#) [8-1437531-4](#) [8150-6P10](#) [833-93-034-10-001000](#) [835-43-014-10-001000](#) [851-41-006-10-001000](#) [851-43-008-20-001000](#) [851-43-014-20-001000](#) [851-93-006-20-001000](#) [851-93-010-20-001000](#) [852-10-026-10-001000](#) [853-43-020-10-001000](#) [86.010.0053.0](#) [116-43-306-41-003000](#) [116-43-308-41-007000](#) [116-87-308-41-007101](#) [PX-68LCC](#) [PX-84LCC](#) [121-13-318-41-001000](#) [121-13-320-41-001000](#) [121-13-308-41-001000](#) [123-43-314-41-801000](#) [123-43-420-41-001000](#) [123-43-636-41-001000](#) [123-87-320-41-001101](#) [122-13-316-41-001000](#) [123-13-624-41-001000](#) [123-43-306-41-001000](#) [123-43-322-41-801000](#) [123-43-428-41-001000](#) [123-43-624-41-001000](#) [12-3513-11](#)