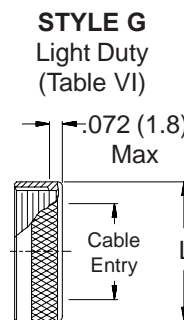
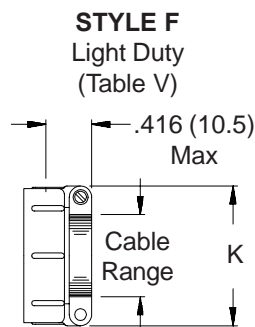
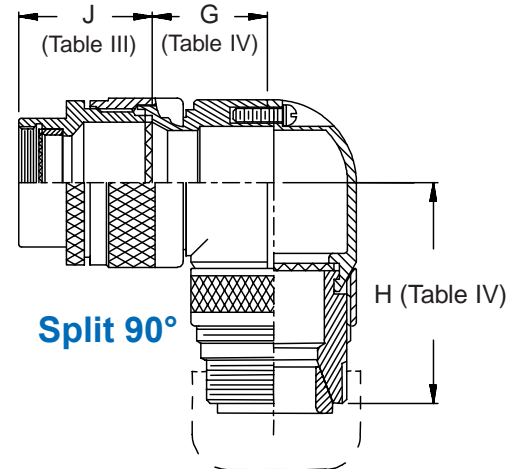
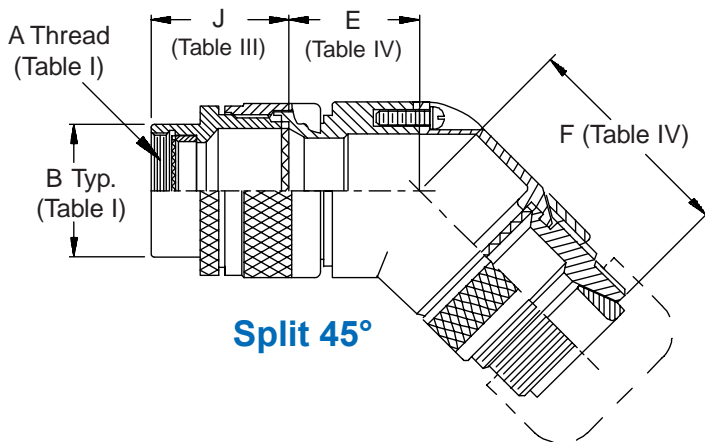
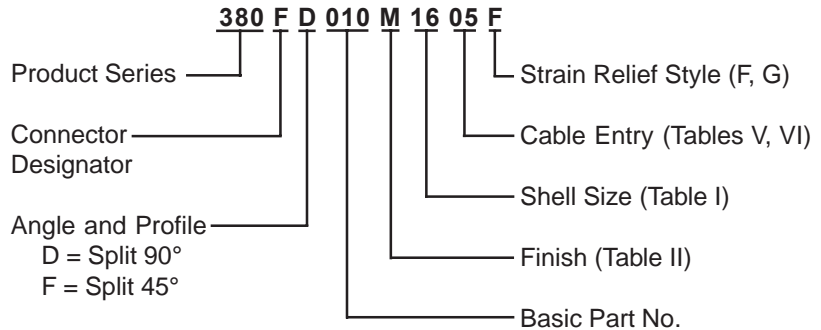


**CONNECTOR
DESIGNATORS
A-B*-C-D-E-F
G-H-J-K-L-S**

* Conn. Desig. B See Note 3
DIRECT COUPLING

**TYPE D INDIVIDUAL
OR OVERALL SHIELD
TERMINATION**



380-010
EMI/RFI Non-Environmental Backshell
with Strain Relief
Type D - Direct Coupling - Split Shell



TABLE III: FRONT ADAPTER

Shell Size	J Max - Conn. Designator		
	A-E-F		
	J-H-L-S	D-B-G-K	C
08/09	1.180 (30.0)	1.440 (36.6)	
10/11	1.180 (30.0)	1.440 (36.6)	
12/13	1.180 (30.0)	1.440 (36.6)	1.735 (44.1)
14/15	1.180 (30.0)	1.440 (36.6)	1.915 (48.6)
16/17	1.380 (35.0)	1.560 (39.6)	1.915 (48.6)
18/19	1.380 (35.0)	1.560 (39.6)	1.915 (48.6)
20/21	1.380 (35.0)	1.560 (39.6)	1.915 (48.6)
22/23	1.380 (35.0)	1.560 (39.6)	1.915 (48.6)
24/25	1.380 (35.0)	1.560 (39.6)	1.915 (48.6)
28/29	1.610 (40.9)	1.560 (39.6)	1.915 (48.6)
32/33	1.610 (40.9)	1.750 (44.5)	1.915 (48.6)
36	1.610 (40.9)	1.750 (44.5)	1.915 (48.6)
40	1.610 (40.9)	2.190 (55.6)	1.915 (48.6)

See inside back cover fold-out or pages 13 and 14 for unbridge Tables I and II.

1. Metric dimensions (mm) are indicated in parentheses.
2. Cable range is defined as the accommodations range for the wire bundle or cable. Dimensions shown are not intended for inspection criteria.
3. When using Connector Designator B refer to pages 18 and 19 for part number development.

TABLE IV: ELBOW DIMENSIONS

Elbow Size	E Max	F Max	G Max	H Max
01	.440 (11.2)	1.730 (43.9)	.680 (17.3)	1.670 (42.4)
02	.440 (11.2)	1.730 (43.9)	.680 (17.3)	1.670 (42.4)
03	.500 (12.7)	1.785 (45.3)	.750 (19.1)	1.725 (43.8)
04	.560 (14.2)	1.855 (47.1)	.810 (20.6)	1.795 (45.6)
05	.680 (17.3)	1.987 (50.5)	.870 (22.1)	1.827 (46.4)
06	.750 (19.1)	2.045 (51.9)	.930 (23.6)	1.927 (48.9)
07	.820 (20.8)	2.106 (53.5)	1.000 (25.4)	1.985 (50.4)
08	.880 (22.4)	2.167 (55.0)	1.060 (26.9)	2.046 (52.0)
09	.940 (23.9)	2.225 (56.5)	1.120 (28.4)	2.107 (53.5)
10	1.000 (25.4)	2.285 (58.0)	1.180 (30.0)	2.165 (55.0)

TABLE II: STANDARD FINISHES

GLENAIR SYMBOL	FINISH
B	Cadmium Plate, Olive Drab
M	Electroless Nickel
NF	Cadmium Plate, Olive Drab Over Electroless Nickel

See Inside Back Cover for Additional Finish Options

TABLE V: CABLE ENTRY

Dash No.	K Max	Cable Range	
		Min	Max
02	.968 (24.6)	.125 (3.2)	.250 (6.4)
03	1.046 (26.6)	.250 (6.4)	.375 (9.5)
04	1.156 (29.4)	.312 (7.9)	.500 (12.7)
05	1.218 (30.9)	.437 (11.1)	.625 (15.9)
06	1.343 (34.1)	.562 (14.3)	.750 (19.1)
07	1.468 (37.3)	.687 (17.4)	.875 (22.2)
08	1.593 (40.5)	.812 (20.6)	1.000 (25.4)
10	1.843 (46.8)	1.062 (27.0)	1.250 (31.8)

TABLE VI: CABLE ENTRY

Dash No.	L Max	Cable Entry	
		Max	
01	.656 (16.7)	.125 (3.2)	
02	.781 (19.8)	.250 (6.4)	
03	.906 (23.0)	.375 (9.5)	
04	1.031 (26.2)	.500 (12.7)	
05	1.156 (29.4)	.625 (15.9)	
06	1.281 (32.5)	.750 (19.1)	
07	1.406 (35.7)	.875 (22.2)	
08	1.531 (38.9)	1.000 (25.4)	
09	1.656 (42.1)	1.125 (28.6)	
10	1.781 (45.2)	1.250 (31.8)	

X-ON Electronics

Largest Supplier of Electrical and Electronic Components

Click to view similar products for [D-Sub Backshells](#) category:

Click to view products by [Glenair](#) manufacturer:

Other Similar products are found below :

[173114-0084](#) [173112-1658](#) [600X51137X](#) [600X54009X](#) [66241-12A](#) [M85049/48-1-2](#) [M85049/48-3-5F](#) [M85049/6-38N](#) [M85049/86-12N03](#)
[70.350.0636.4](#) [70.350.2435.1](#) [72.350.1035.2](#) [72.352.2435.1](#) [73.359.4035.3](#) [799-015TMH07M](#) [799-015TMH08N](#) [FKH1RE](#) [829472-1](#) [F-](#)
[PHG-1E](#) [F-PHG-3E](#) [F-PHG-4E](#) [F-PHR-4E](#) [PCS-E20W](#) [8655MHRA0901KLF](#) [8655MHRA2501KLF](#) [958-009-010R011](#) [970-015-040R011](#)
[970-025-030R121](#) [970-025-040R011](#) [971-009-030R121](#) [971-009-040R011](#) [971-015-040R011](#) [971-025-040R011](#) [GS85049/38-25M](#) [975T009-](#)
[020R121](#) [975T015-020R121](#) [1-21986-2](#) [1-21986-5](#) [DB-20962](#) [DE-C8-J9-F4-1R](#) [DE-C8-J9-F5-1R](#) [DPH-B-003](#) [1437013-9](#) [1484402-8](#)
[MS3057-10A](#) [156-3025-EX](#) [MS3417-16C](#) [16-500800](#) [165X02659X](#) [165X03329A](#)