

max. 444 m³/h

DC centrifugal fans

Series RG 160 NTD 220 x 220 x 56 mm



- **Material:** Scroll housing: GRP¹⁾
Impeller: GRP¹⁾
Housing base: Sheet steel
- **Direction of air flow:** Axial: Intake
Centrifugal: Exhaust
- **Connection:** Via single wires AWG 22, TR 64
48 V model: Flat plug
6.3 x 0.8 mm for protective earth
- **Highlights:** 3-phase fan drive with very smooth running
Backwards-curved impeller
- **Mass:** 1,4 kg

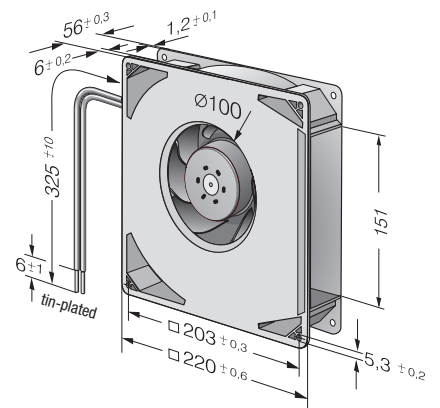
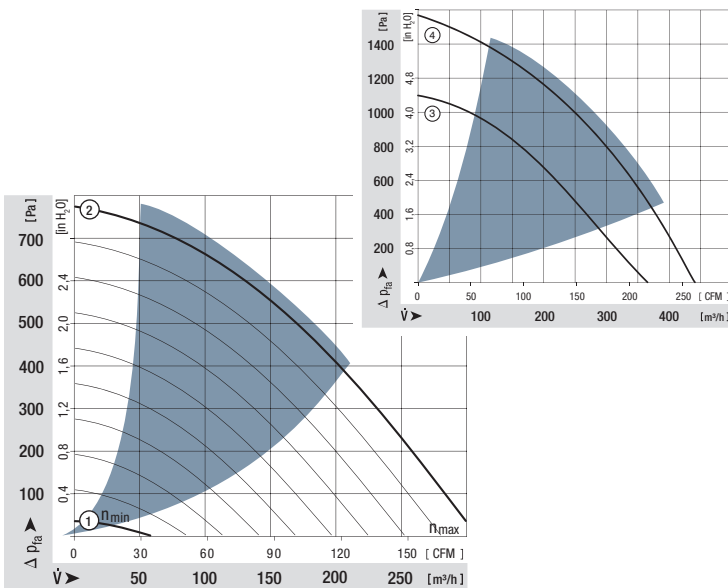
- **Possible special versions:**
(See chapter DC fans - specials)
 - Speed signal
 - Go / No-go alarm
 - Alarm with limit speed
 - External temperature sensor
 - Internal temperature sensor
 - PWM control input
 - Analogue control input
 - Protection against moisture
 - Type of protection: IP 54

¹⁾ Fibreglass-reinforced plastic

Nominal data		Air flow		Nominal voltage		Voltage range		Sound power level		Sinter sleeve bearings Ball bearings		Input power		Nominal speed		Temperature range		Service life L ₁₀ (40 °C) ebm-papst Standard		Service life L ₁₀ (T _{max}) ebm-papst Standard		Life expectancy L ₁₀ (IPC (40 °C) see page 17		Curve		
Type		m ³ /h	CFM	VDC	VDC	Bel(A)	□ / ■	Watts	rpm	°C	Hours	Hours	Hours	Hours	°C	Hours	Hours	Hours	Hours	Hours	Hours	Hours	Hours	Hours	Hours	Curve
min. max.	RG 160-28/14 NTD...	59	35	24	16...28	—	■	2,0	800	-20...+60	55 000 / 35 000		92 500	①											①	
		308	181			7,5	64,0	4 200	55 000 / 35 000		92 500	②														
	RG 160-28/14 NTD	308	181	24	16...28	7,5	■	64,0	4 200	-20...+60	55 000 / 35 000		92 500	②											②	
	RG 160-28/14 NTDH	370	218	24	16...28	7,8	■	101,0	5 000	-20...+60	50 000 / 32 500		85 000	③											③	
min. max.	RG 160-28/18 NTD...	59	35	48	38...57	—	■	2,0	800	-20...+70	55 000 / 27 500		92 500	①											①	
		308	181			7,5	59,0	4 200	55 000 / 27 500		92 500	②														
	RG 160-28/18/2 N/2 TDHHP*	444	261	48	36...60	8,5	■	159	6 000	-20...+65	40 000 / 22 500		67 500	④											④	

Subject to alternations

Models RG 160-28/14 NTD... and RG 160-28/18 NTD... are available in customer-specific, custom-developed variants only. The data specified here are technically feasible benchmark values. The fans can be specially adapted to your application with signal outputs and control inputs.
*The specific service life is valid when an external capacitor is wired between the plus and minus wires. Please note the wiring suggestion.



X-ON Electronics

Largest Supplier of Electrical and Electronic Components

Click to view similar products for [ebm papst](#) manufacturer:

Other Similar products are found below :

[5930-507](#) [6224NT](#) [M4Q045-CF01-75](#) [M4Q045-DA05-01](#) [D2E133-DM27-D8](#) [8314S](#) [G1G085-AB05-01](#) [G2E108-AG63-01](#) [G2E140-AL30-48](#) [A2D200-AA02-16](#) [A2E200-AF02-02](#) [A4D350-AN08-02](#) [A4E300-AS72-02](#) [A4E330-AP18-13](#) [R1G225-AG15-11](#) [R2D220-AA24-13](#) [R2D270-AB12-09](#) [R2E220-AB08-12](#) [R3G310-AL09-30](#) [R4E225-AT15-10](#) [R4E400-AP15-10](#) [REF100-11/14](#) [9496-2-4039-1](#) [A2D240-AA02-10](#) [A2D250-AA06-52](#) [A2E300-AP02-01](#) [G2E120-FV56-16](#) [G2E160-AY47-57](#) [QR06A-2/106349](#) [R1G250-AQ21-52](#) [R2E180CH0312](#) [R2E225-BD92-36](#) [R3G175-AF25-02](#) [LZ27](#) [REF100-11/12](#) [RG125-19/12N/2](#) [RH31M-6/104372](#) [RH56M-6/204689](#) [RLF100-11/18](#) [55416.30320](#) [K3G097-AK34-43](#) [D4E180-BA02-02](#) [4112NHH](#) [412FH-132](#) [W2E200-CI38-01](#) [W2G110-AK43-83](#) [422JM](#) [4314/17T](#) [4314R](#) [DV6424/12](#)