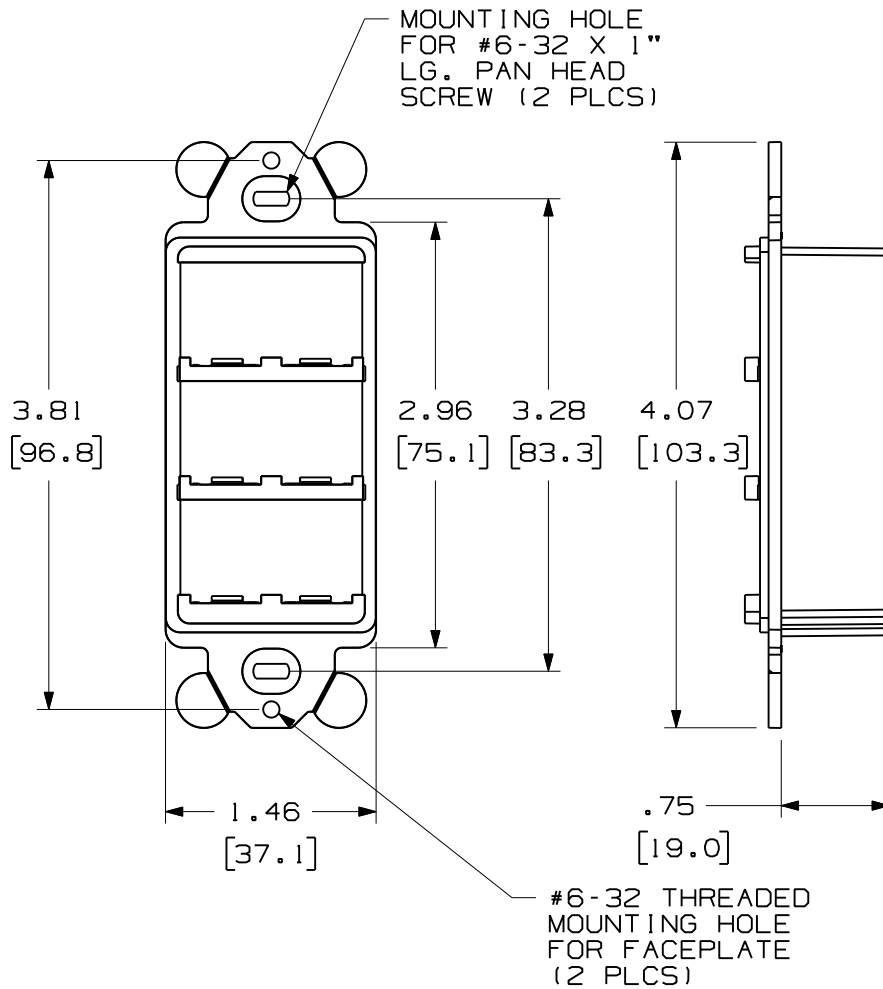


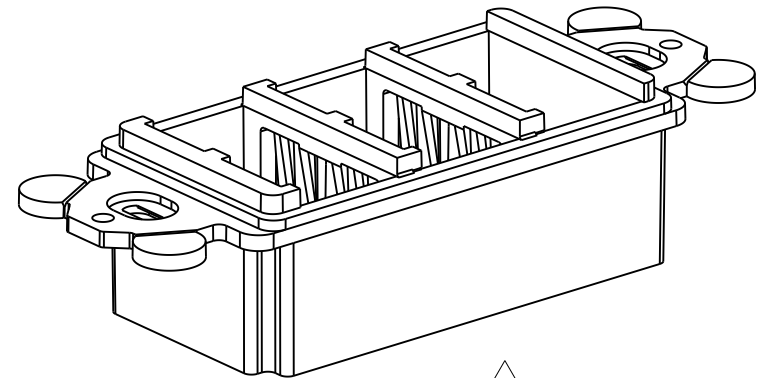
THIS COPY IS PROVIDED ON A RESTRICTED BASIS AND IS NOT TO BE USED IN ANY WAY DETRIMENTAL TO THE INTERESTS OF PANDUIT CORP.

PANDUIT P/N	WEIGHT
CFG6**	.41 LB/10 PCS [184.0 g/10 PCS]



NOTES:

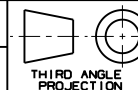
1. SEE CURRENT CATALOG FOR ADDITIONAL PART NUMBER SUFFIXES TO INDICATE COLOR AND/OR PACKAGE QUANTITY.
2. SEE CATALOG FOR COMPLETE LIST OF PARTS APPLICABLE FOR USE WITH THIS PART.
3. DIMENSIONS IN PARENTHESES ARE IN METRIC.
4. (2) #6-32 X 1" PAN HEAD SCREWS ARE SUPPLIED



MODEL FILENAME	M00021DJ/06	SIZE	A
DRAWING FILENAME	M00021DJ_DC07/06A		

MINI-COM "GFCI" MODULE FRAME SIX POSITION CUSTOMER DRAWING

PANDUIT[®]
TINLEY PARK, IL 60487



ALL DIMENSIONS ARE GIVEN IN INCHES, UNLESS OTHERWISE SPECIFIED.
DIMENSIONAL TOLERANCES ARE:
(.X) ±.03 (.XXX) ±.005
(.XX) ±.01 ANGLES ± 1°

I.I. NUMBER	
PRODUCT SPEC/ PKG SPEC	
ASSY METHOD/ TEST METHOD	
SCALE	N/A
PART NO.	CFG6**
DRAWING NO.	00021-07

REV	DATE	BY	CHK	DESCRIPTION	ECN	R	CUST	SUP	OTH
I	11-1-11	BJN	JSP	A. UPDATED MODEL TO REV 06	00021-07	JSP	JSP		
R	8-26-11	BJN	JSP	RELEASED TO PRODUCTION	00021-07	JSP	JSP		

DRAWN BY	BJN	REVIEW DRAWING NUMBERS	
DATE	8-26-11	MAT'L	
CHK'D	JSP		

X-ON Electronics

Largest Supplier of Electrical and Electronic Components

Click to view similar products for [Wire Ducting & Raceways](#) category:

Click to view products by [Panduit](#) manufacturer:

Other Similar products are found below :

[FG5EI25-A](#) [FXOE3-10M3](#) [FZD3-3M2](#) [FZLE10-10M2](#) [FZOE10-10M1](#) [FZOLE10-10M2](#) [FZPE3-10M2](#) [923223-000](#) [PRAF6WH-X](#)
[A0405538](#) [1301150342](#) [1301150343](#) [1301230086](#) [1301240054](#) [AX101472](#) [AX102652](#) [AX102653](#) [AX102737](#) [S62DS](#) [S65DS](#) [S75DSH](#)
[A0405536](#) [A0405537](#) [A0649869](#) [FXOD3-3M1](#) [FXOE10-10M2](#) [FZLD3-3M2](#) [FZOE3-10M1](#) [FZOE3-10M2](#) [FZOLE3-10M2](#) [FZOPE10-10M1](#)
[FZPD3-3M2](#) [PZRFE4](#) [PZWIFIEN](#) [PZWIFIENA](#) [CNPSNH](#) [CNSPC](#) [5400ES](#) [WDLT-1216-72](#) [655287-000](#) [S75DS](#) [1301180028](#) [801A-LSP](#)
[TGECAW](#) [853425-000](#) [3066](#) [TTSL6VC3-2.5-Y](#) [TLBP1S-L](#) [FAP6DSCBL](#) [NKFP623RSSSM001](#)