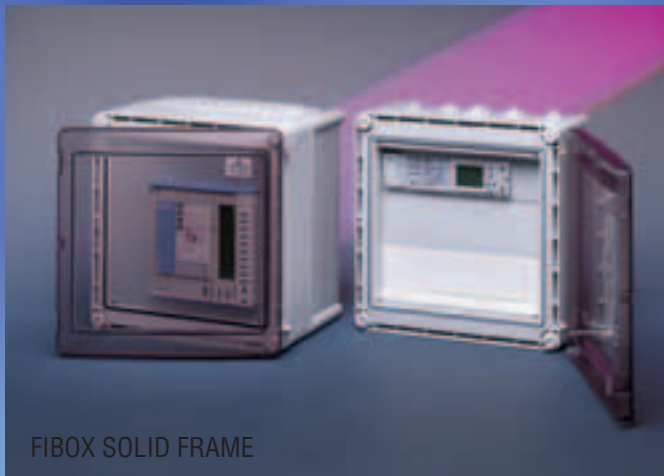
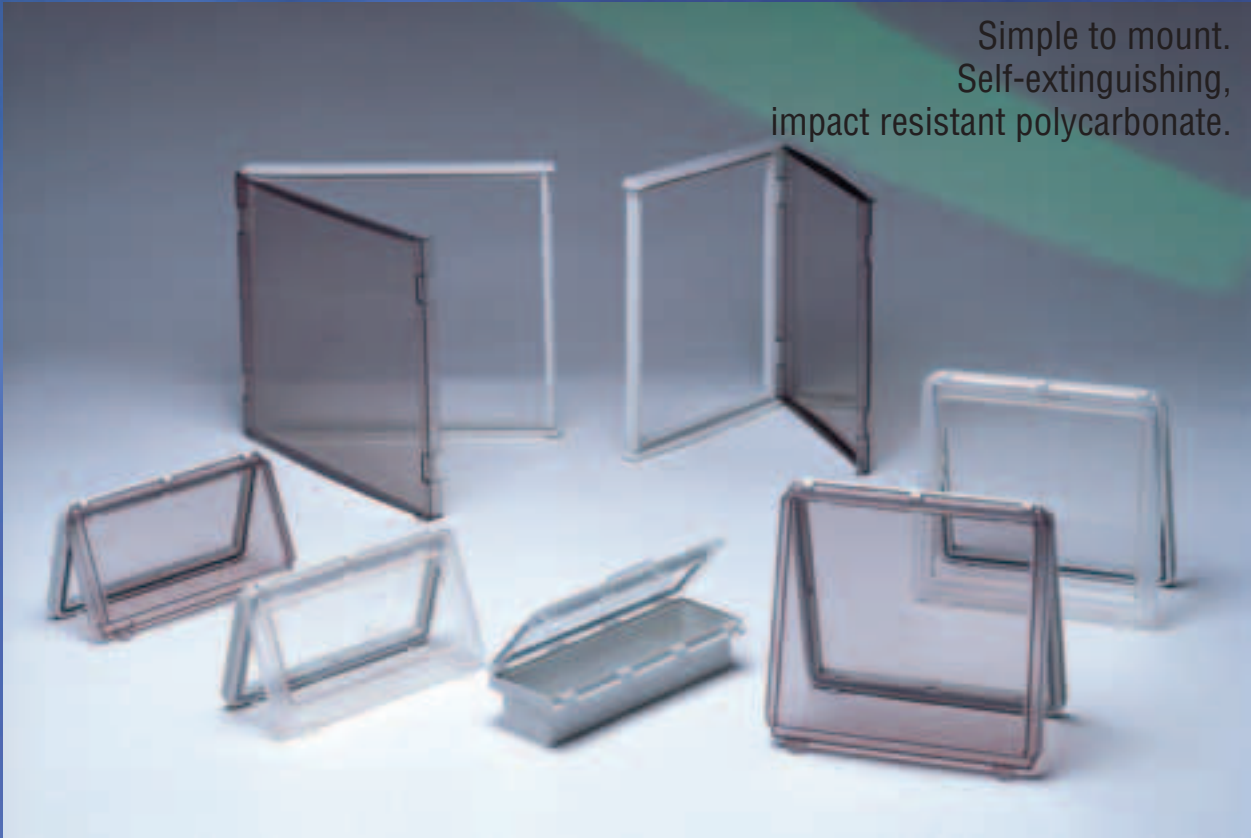


FIBOX

WINDOWS

FIBOX WINDOWS

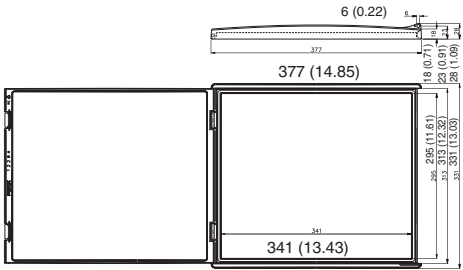
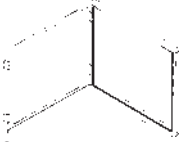
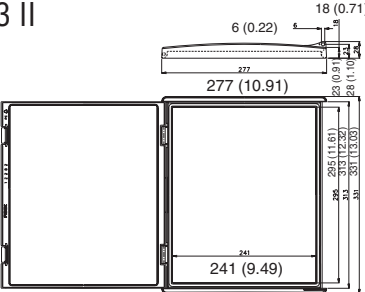
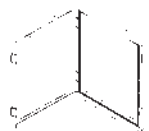
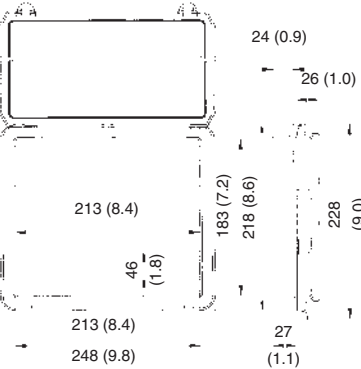
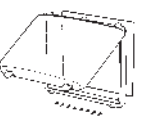
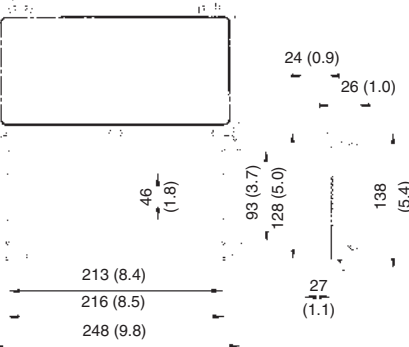
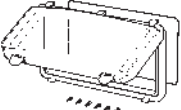

Simple to mount.
Self-extinguishing,
impact resistant polycarbonate.

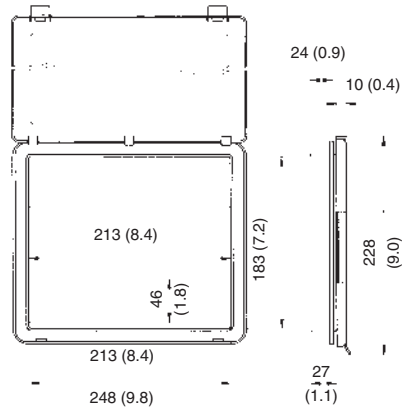
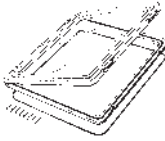
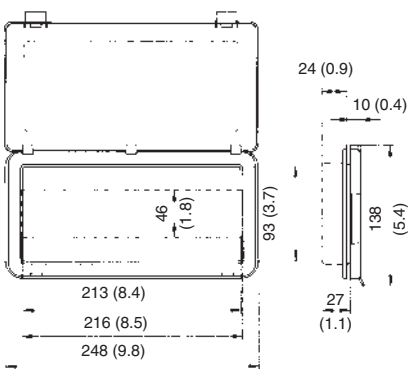
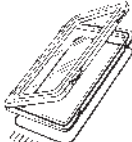
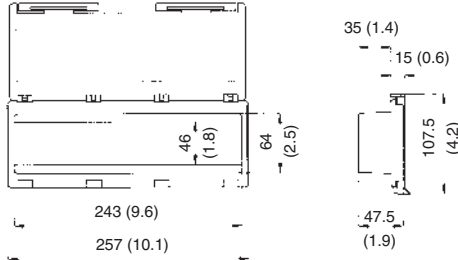
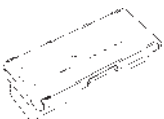
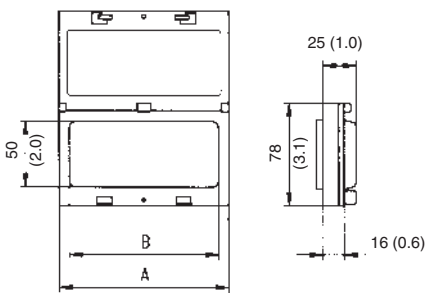
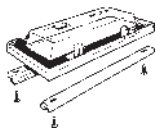


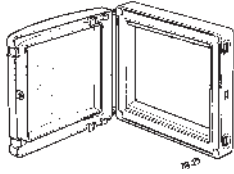
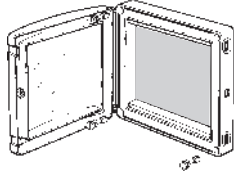
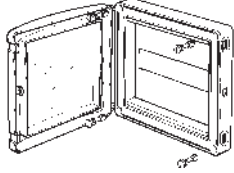
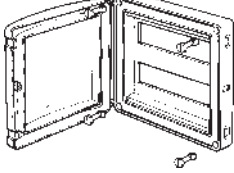
FIBOX SOLID FRAME



FIBOX Inspection Windows permit both viewing and access to readouts and controls which are surface mounted on plastic or metal enclosures. While providing access, when cover closed, these inspection windows maintain enclosure environmental ratings up to NEMA 4. Four new second generation windows L12 II, L24 II, L43 II and L44 II, feature transparent smoked gray polycarbonate with textured sides and stylish design.

FIBOX INSPECTION WINDOWS	Remarks	IP	Size inch.	ORDER SYMBOL	Size mm
<p>L44 II</p> 	<p>For 36 modules (1 module = 17,5 mm) (1 module = 0,69 inch.)</p>  <p>Smoked transparent cover</p>	65	14.9 x 13.0	L44 II	377 x 331
<p>L43 II</p> 	<p>For 26 modules</p>  <p>Smoked transparent cover</p>	65	13.0 x 10.9	L43 II	331 x 277
<p>L24 II</p> 	<p>For 24 modules</p> <p>High cover</p>  <p>Smoked transparent cover</p>	65	9.8 x 8.6	L24 II	248 x 218
<p>L12 II</p> <p>Pat.Reg. 383990</p> 	<p>For 12 modules</p> <p>High cover</p>  <p>Smoked transparent cover</p>	65	9.8 x 5.0	L12 II	248 x 128
<p>FRONT PLATES FOR WINDOWS L12, L 24, L12 II and L24 II</p> 	<p>12 modules 2 x 12 modules</p>			B12 10621-45 B24 10620-45	

FIBOX INSPECTION WINDOWS	Remarks	IP	Size inch.	ORDER SYMBOL	Size mm																																		
<p>L24</p> 	<p>For 24 modules</p> <p>Low clear cover</p> 	65	9.8 x 8.6	L24	248 x 218																																		
<p>L12</p> 	<p>For 12 modules</p> <p>Low clear cover</p> 	65	9.8 x 5.0	L12	248 x 128																																		
<p>L13</p> 	<p>For 13 modules</p> <p>Clear cover</p> 	65	10.1 x 4.3	L13	257 x 108																																		
<p>L02-L10</p>  <table border="1" data-bbox="203 1811 503 2015"> <thead> <tr> <th rowspan="2">TYPE</th> <th colspan="2">A</th> <th colspan="2">B</th> </tr> <tr> <th>mm</th> <th>in.</th> <th>mm</th> <th>in.</th> </tr> </thead> <tbody> <tr> <td>L02</td> <td>59</td> <td>2.3</td> <td>44</td> <td>1.7</td> </tr> <tr> <td>L04</td> <td>94.5</td> <td>3.7</td> <td>78</td> <td>3.1</td> </tr> <tr> <td>L06</td> <td>129.5</td> <td>5.1</td> <td>114</td> <td>4.5</td> </tr> <tr> <td>L08</td> <td>163</td> <td>6.4</td> <td>146</td> <td>5.7</td> </tr> <tr> <td>L10</td> <td>200</td> <td>7.9</td> <td>183</td> <td>7.2</td> </tr> </tbody> </table>	TYPE	A		B		mm	in.	mm	in.	L02	59	2.3	44	1.7	L04	94.5	3.7	78	3.1	L06	129.5	5.1	114	4.5	L08	163	6.4	146	5.7	L10	200	7.9	183	7.2	<p>For 10 modules</p> <p>For 8 modules</p> <p>For 6 modules</p> <p>For 4 modules</p> <p>For 2 modules</p> <p>Clear cover</p> 	54	7.8 x 3.0 6.4 x 3.0 5.1 x 3.0 3.8 x 3.0 2.4 x 3.0	L10 L08 L06 L04 L02	199 x 77 162 x 77 130 x 77 96 x 77 60 x 77
TYPE		A		B																																			
	mm	in.	mm	in.																																			
L02	59	2.3	44	1.7																																			
L04	94.5	3.7	78	3.1																																			
L06	129.5	5.1	114	4.5																																			
L08	163	6.4	146	5.7																																			
L10	200	7.9	183	7.2																																			

FIBOX SOLID FRAMES	Remarks		ORDER SYMBOL	Size inch/ Size mm
	Frame, with opening Smoked transparent cover		Cover 28/28-0	11 x 11 280 x 280
	Frame, no opening Smoked transparent cover		Cover 28/28-D	11 x 11 280 x 280
	Frame with one DIN opening Smoked transparent cover		SF PC2828-SG-12-1	11 x 11 x 2.1 280 x 280 x 54
	Frame with two DIN openings Smoked transparent cover		SF PC2828-SG-12-2	11 x 11 x 2.1 280 x 280 x 54

Data subject to change without notice.

FEATURES YOU'VE NEVER SEEN BEFORE

Ingress protection NEMA 4, 12
IP 54-IP 65

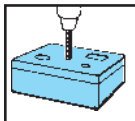
Temperature range - 40°F to +248°F / - 40°C – +120°C

- Chemical resistance to concentrated mineral acids, organic acid, oxidants, deducing agents, neutral /acid salt solutions, grease & oil
- Resistance to U.V. radiation
- Self-extinguishing to UL94
- Non-hygroscopic

Data subject to change without notice.

CUSTOMIZATION

Enclosures can be machined, painted, screen printed and preassembled to meet your customization requirements. Fibox's service center offers complete CNC machining, hinge mounting, screen printing, assembly and much more. Our wide selection of enclosures and accessories can be customized to create a unique enclosure meeting your application requirements.





INSTRUMENT PROTECTION WINDOWS

Instrument Protection Windows (IPW's) provide NEMA 4X protection for front panel mounted meters, instruments and operator interface stations, while still permitting access. IPW's are available in 4 sizes. These protection window kits can be factory or field installed and can protect both low and high profile instruments. All polyurethane gaskets are foamed in place for hassle free mounting in a simply drilled pattern of 4 small holes. IPW's are available from stock and are suitable for use with metal and non-metallic enclosures.

<u>ORDER SYMBOL</u>	<u>SIZE</u>
IPW 2819	11 x 7.5 (hinged on 11" side)
IPW 1928	11 x 7.5 (hinged on 7.5" side)
IPW 2828	11 x 11
IPW 3819	15 x 7.5
IPW 3828	15 x 11

NEW

Usable depth is 2.8". Custom depths are available



FIBOX INC.
Phone: 888.342.6987

810 Cromwell Park Drive, Suite R
www.fiboxusa.com

Glen Burnie, MD 21061
Fax: 410.760.8686

X-ON Electronics

Largest Supplier of Electrical and Electronic Components

Click to view similar products for [fibox manufacturer](#):

Other Similar products are found below :

[PCM 175/75 T](#) [ABQ3 364015](#) [ABS 150/60 HG](#) [ABS 175/60 HG](#) [ABS 175/75 HG](#) [ABS F 65 G](#) [ARCA 403015](#) [EKMVT](#) [CAB P 302017](#)
[CAB PC 303018 G3B](#) [CAB PCQ 302017 T](#) [9822003](#) [ABS 150/125 HG](#) [ABS 150/75 HG](#) [ABS 175/100HG](#) [ABS 95/75 HG](#) [ABS F 85 G](#) [PCT](#)
[081206](#) [ARCA 302015](#) [PC 5628 13 T](#) [TAM 090706 MC](#) [ARCA 406021](#) [MP 6040](#) [ARCA 604021](#) [ARCA 806030](#) [5330360](#) [EKOE 130 G](#)
[2539543](#) [PC 100/125 HG](#) [PC 100/75 HT](#) [PC 300/150 ZG](#) [PCM 175/150 G](#) [PCM 125/100 G](#) [PC 125/125 HG](#) [ABS D 65 G](#) [7811060](#) [7811130](#)
[ALN 121208](#) [ARCA 403021N](#) [7094220](#) [7094450](#) [PC 1919 13 T-2FSH](#) [PC 200/150 HT](#) [PCM 175/100 T](#) [PCT 121210](#) [9821007](#) [EKPE 130 G](#)
[ENCLOSURE](#) [ABS 175/125 HG](#) [ABS 175/150 HG](#) [ABS 1919 13 G](#)