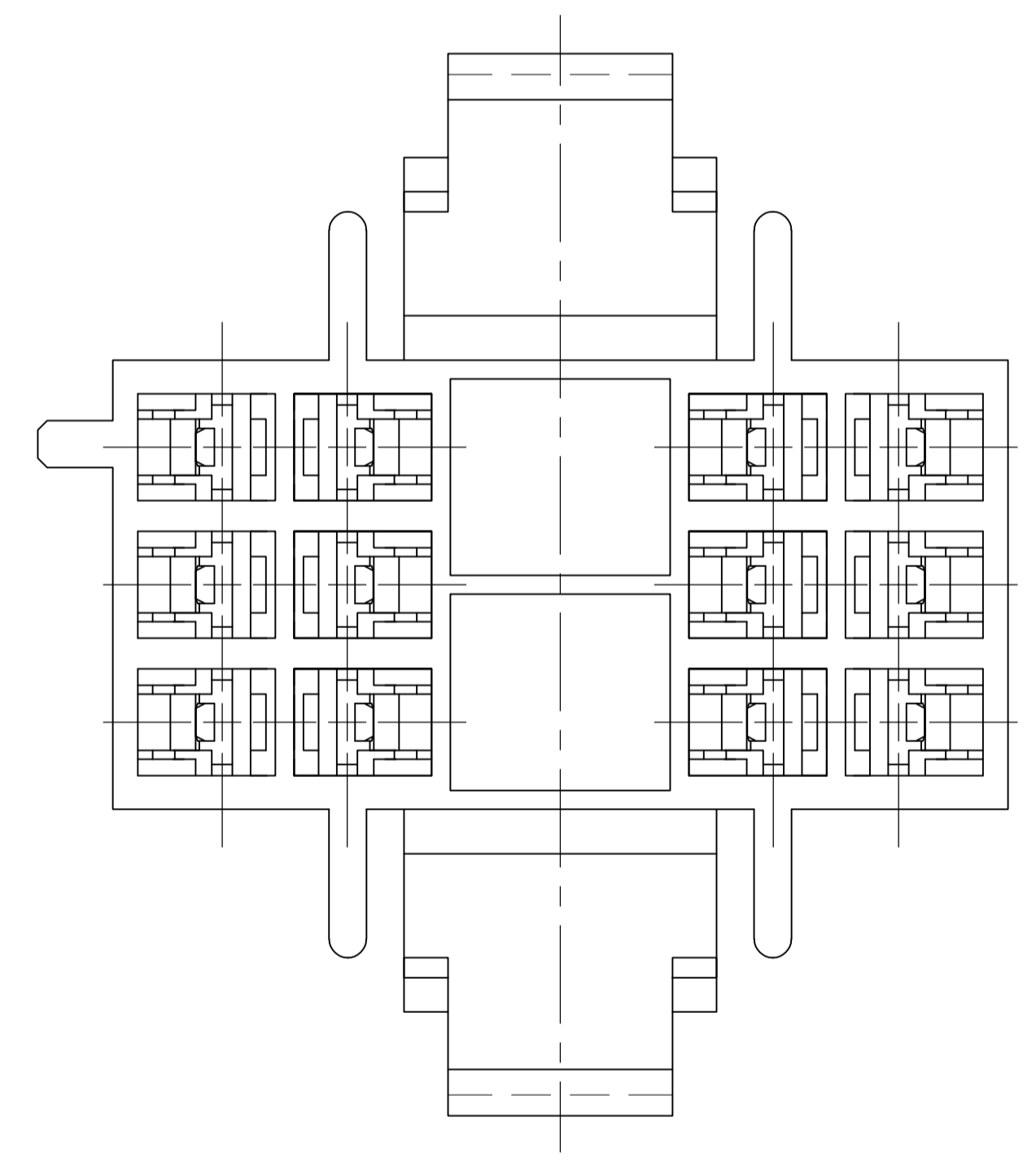
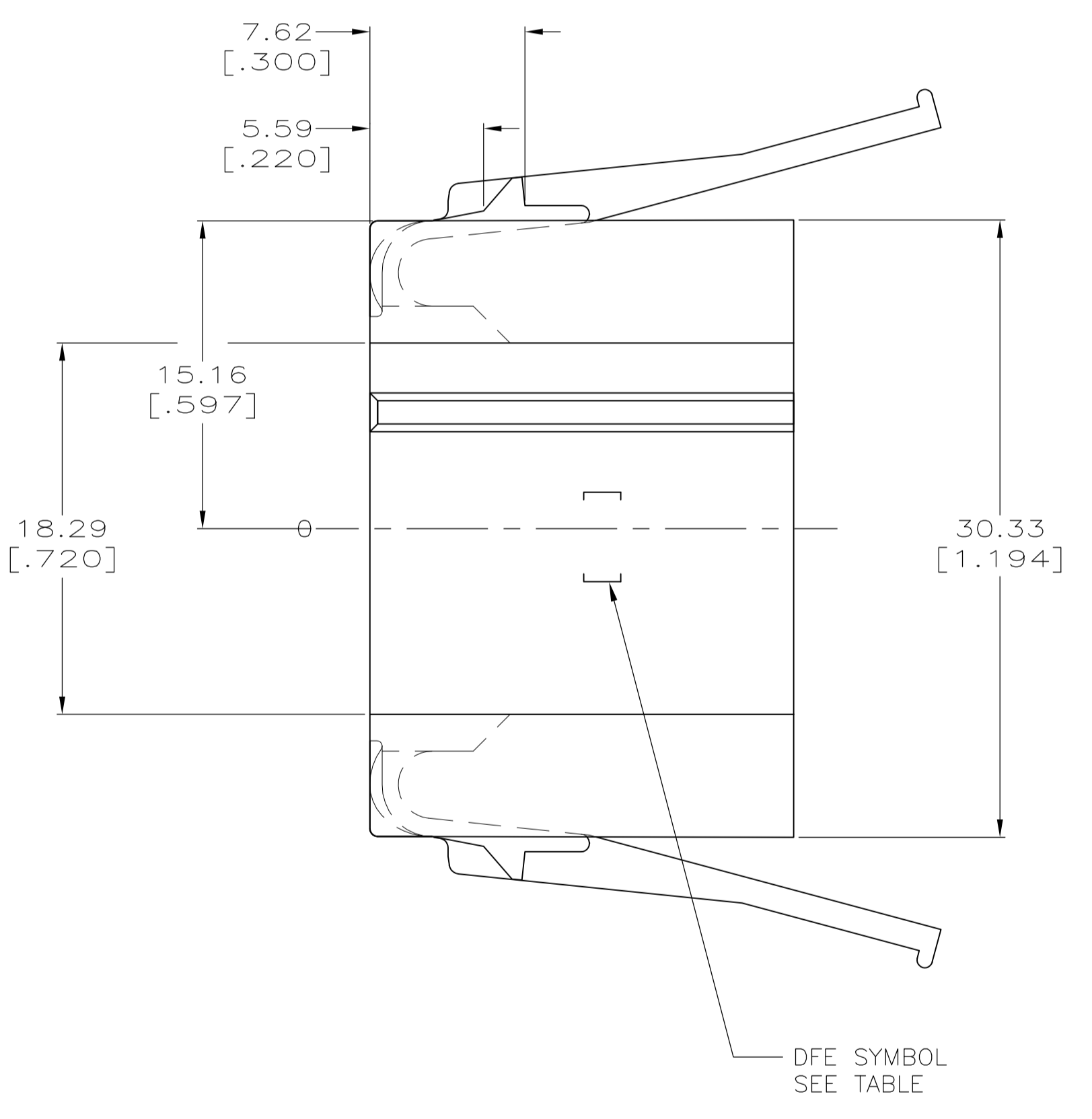
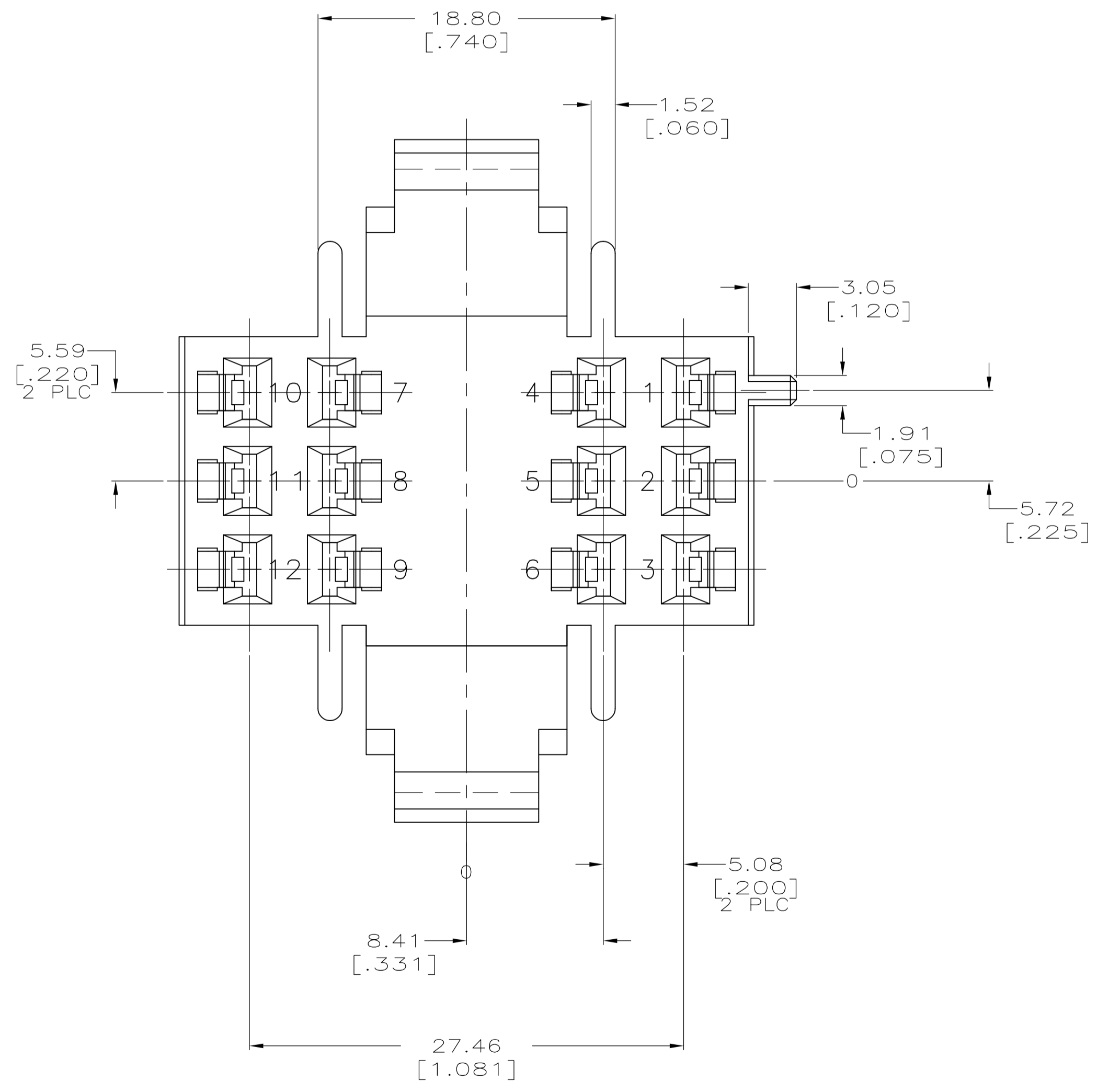
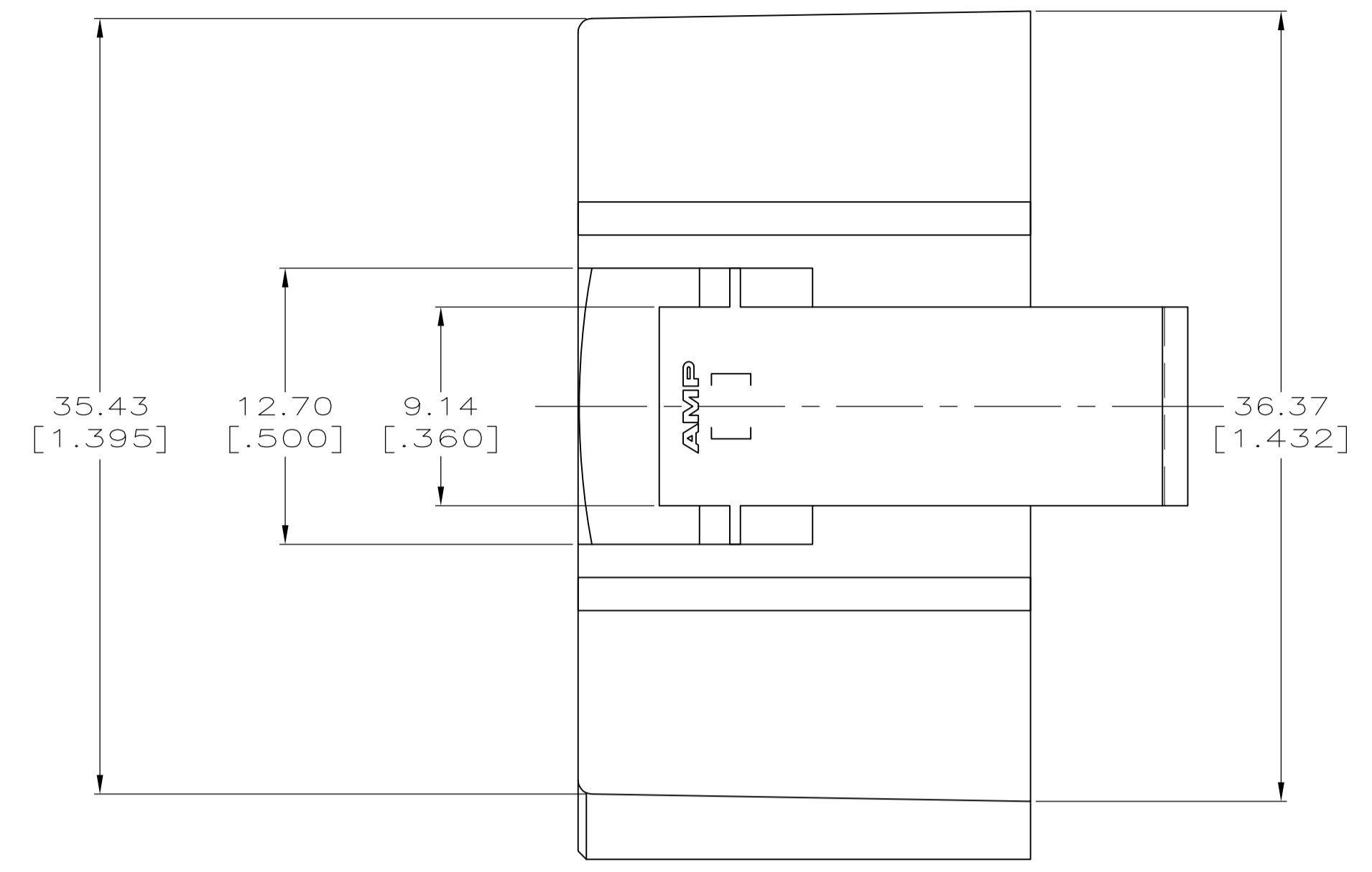


- HOUSING ACCEPTS RECEPTACLE CONTACT P/N 770642-1.
- CIRCUITS ARE ARRANGED IN A 5.08 X 5.59 [.200 X .220] GRID.



>PA666<	NYLON 66/6, UL 94V-0	521163-2
>PA66<	NYLON 6/6, UL 94V-2	521163-1
DFE SYMBOL	MATERIAL	PART NUMBER

THIS DRAWING IS A CONTROLLED DOCUMENT.		DWN PHILLIP M. FORTNEY 01/JUL/98	STE TE Connectivity	
DIMENSIONS: mm		CHK JEFF R. RUTH 01/JUL/98	NAME HOUSING, TIMER CONNECTOR, 12 POSITION GEN 2	
TOLERANCES UNLESS OTHERWISE SPECIFIED:		APVD DONALD DECKER 01/JUL/98	PRODUCT SPEC 108-1271	
0 PLC ± -		APPLICATION SPEC 114-49003	SIZE A1	CAGE CODE 00779
1 PLC ± -		RESTRICTED TO	DRAWING NO 521163	REV D2
2 PLC ± ± 0.25[.010]		SCALE 4:1	SHEET 1 OF 1	
3 PLC ± -				
4 PLC ± -				
ANGLES ± -				
MATERIAL SEE TABLE	FINISH COLOR-BLACK	WEIGHT -	CUSTOMER DRAWING	

X-ON Electronics

Largest Supplier of Electrical and Electronic Components

Click to view similar products for [Headers & Wire Housings](#) category:

Click to view products by [TE Connectivity](#) manufacturer:

Other Similar products are found below :

[95000-104TRLF](#) [10135584-644402LF](#) [DF62W-EP2022PCA](#) [95000-106TRLF](#) [DF62W-2022SCA](#) [DF62W-EP2022PC](#) [2203348](#) [DF62W-2022SC](#) [1084018](#) [1029039](#) [1084017](#) [802-10-012-10-002000](#) [1112640](#) [1112639](#) [891-007-9SS-BST1T](#) [000-34000](#) [0008550134](#) [0009482033](#) [0009507031](#) [57102-F02-18ULF](#) [57102-S06-03LF](#) [57202-S52-04LF](#) [PCN6-15S-2.5E](#) [0039019024](#) [58102-G61-06LF](#) [582553-1](#) [0009485154](#) [0009508121](#) [0022285053](#) [0050291907](#) [018731A](#) [LY20-4P-DT1-P1E-BR](#) [02.125.8002.8](#) [60101931](#) [60598-1 \(Cut Strip\)](#) [M1625-3R/100](#) [61062-3](#) [61082-181009](#) [CSU011177004](#) [636-1427](#) [638009-1](#) [641938-9](#) [641991-4](#) [644168-1](#) [644827-2](#) [647662-1](#) [65039-019ELF](#) [65692-001LF](#) [65781-018](#) [65781-047](#)