



CX4012LNL

- RF SPLITTER, 2-WAY
- 5-1000 MHz
- 0-DEG
- IMPEDANCE = 75 OHMS
- SURFACE MOUNT

NOTES: UNLESS OTHERWISE SPECIFIED

1. OPERATING TEMPERATURE: -40°C TO +85°C
2. STORAGE TEMPERATURE: -50°C TO +125°C
3. COMPLIANCE TO J-STD:
 - J-STD-002: SOLDERABILITY AT REFLOW PEAK TEMPERATURE OF 245°C
 - J-STD-020: MSL 1, NO MOISTURE SENSITIVE
 - J-STD-075: R6, 250°C MAXIMUM THROUGH REFLOW SOLDER
4. DIMENSIONS ARE IN INCHES.
 - TOLERANCE:
 - .XX= ±.01
 - .XXX= ±.005
5. OPTIONAL TAPE & REEL PACKAGING CAN BE ORDERED BY ADDING A "T" SUFFIX TO THE PART NUMBER. ie: CX4012LNLT

ELECTRICAL SPECIFICATIONS: @ 25°C

INSERTION LOSS:

FREQUENCY	ATTENUATION
5-40 MHz	3.8 dB MAX
41-600 MHz	3.6 dB MAX
601-870 MHz	3.85 dB MAX
871-1000 MHz	4.2 dB MAX

ISOLATION:

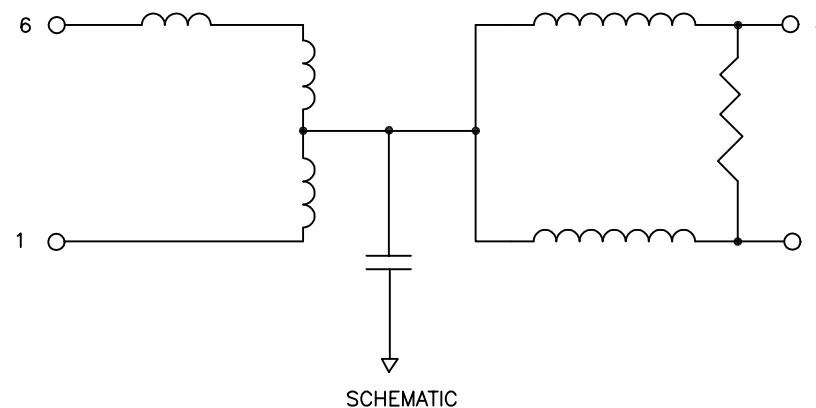
FREQUENCY	ATTENUATION
5-40 MHz	16.5 dB MAX
41-600 MHz	22.0 dB MAX
601-1000 MHz	22.0 dB MAX

RETURN LOSS:

FREQUENCY	ATTENUATION
5-40 MHz	13.0 dB MIN
41-600 MHz	19.0 dB MIN
601-1000 MHz	18.0 dB MIN

AMPLITUDE UNBALANCE:

FREQUENCY	ATTENUATION
5-40 MHz	0.4 dB MAX
41-1000 MHz	0.3 dB MAX



© Copyright, 2014. Pulse Electronics Corp. All rights reserved. Pulse confidential & proprietary. (06/13/2014)

PRODUCT DESCRIPTION:

SPLTR,2-WAY,0-DEG,SPLTR;5-1000M,TERMINATED,FR4

SHEET:

1 OF 2

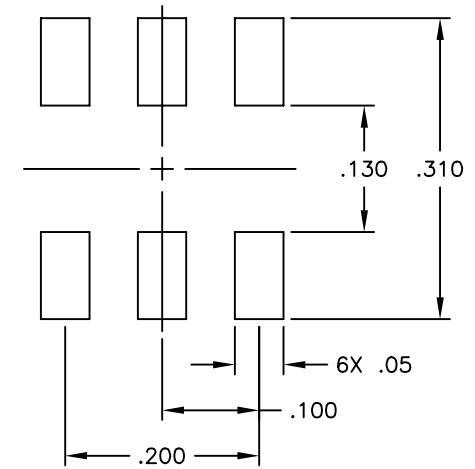
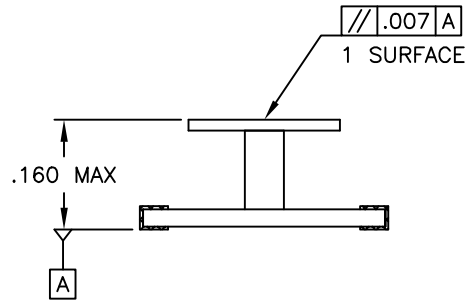
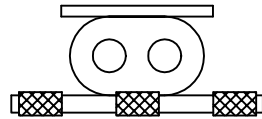
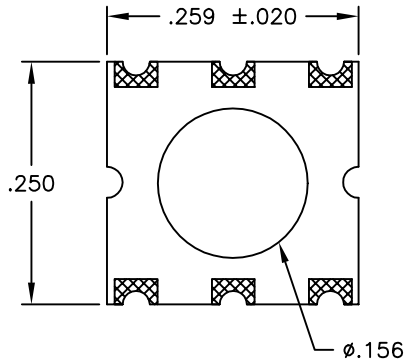
PART NO.

CX4012LNL

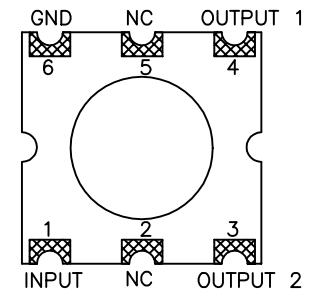
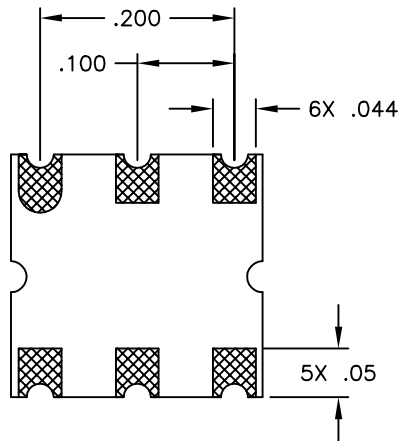
DATASHEET REV.

A

MECHANICAL SPECIFICATIONS:



SUGGESTED LAND PATTERN



© Copyright, 2014. Pulse Electronics Corp. All rights reserved. Pulse confidential & proprietary. (06/13/2014)

PRODUCT DESCRIPTION:

SPLTR,2-WAY,0-DEG,SPLTR;5-1000M,TERMINATED,FR4

SHEET:

2 OF 2

PART NO.

CX4012LNL

DATASHEET REV.

A

X-ON Electronics

Largest Supplier of Electrical and Electronic Components

Click to view similar products for [Audio Transformers](#) / [Signal Transformers](#) category:

Click to view products by [Pulse manufacturer](#):

Other Similar products are found below :

[749023020](#) [CU4S0506AT-2655-H1](#) [MET-58](#) [PE-64961](#) [H5008FNL](#) [H5020FNLT](#) [H5079NLT](#) [1879479-1](#) [1879564-1](#) [PA1277NLT](#)
[PA1528ANL](#) [PA2007NLT](#) [FL1066](#) [T1137NLT](#) [T3012NL](#) [PE-65812FNL](#) [TTC-100](#) [TTC-143-H](#) [TTC-5032-1](#) [HX1234NLT](#) [HX5008FNLT](#)
[100B-1001XNL](#) [PA1282NLT](#) [HX5084FNL](#) [T1108NLT](#) [2-1879391-5](#) [TTC-266-2](#) [3-1879385-4](#) [PA1032NL](#) [H2009FNLT](#) [PA0801NLT](#)
[TTC-266](#) [X-1619](#) [SM51295PEL](#) [T5008NLT](#) [PE-68517T](#) [HX1294NLT](#) [HX5084FNLT](#) [H5015FNLT](#) [H6080NLT](#) [CX2024NL](#) [HX1294FNLT](#)
[TX1473NLT](#) [PE-69011NLT](#) [CX2047LNLT](#) [CX2043LNLT](#) [DCT20EFD-U32S003](#) [H5120NLT](#) [H7137FNLT](#) [H1259NLT](#)