

20.155MV-E
21.155MV-E

NAME



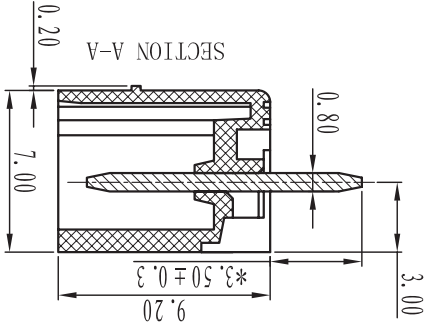
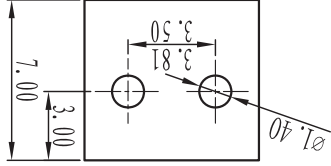
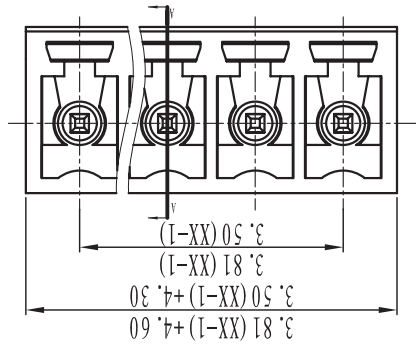
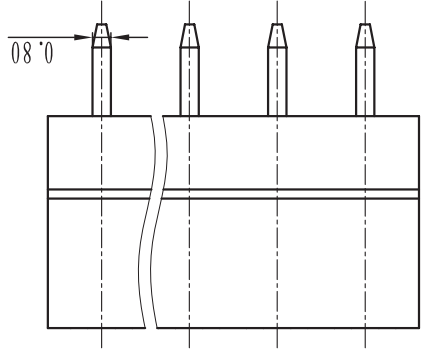
UNITS mm
SCALE A4
SIZE

FIRST ANGLE PROJECTION



tolerance	±0.1	±0.2	±0.3	±0.5	±0.9	±0.2	±0.5	±1	1°	30'	20'	10'	0.5	0.025	0.06	0.12	0.4
range	6 to	30 to	120 to	480 to	all to	6 to	10 to	10 to	50 to	120 to	50 to	120 to	all to	5 to	30 to	120 to	120 to
variable	6 to	6 to	30 to	120 to	480 to	all to	6 to	6 to	over	over	over	over	over	over	over	over	over
	linear dimension	linear dimension	linear dimension	linear dimension	linear dimension	fillet	chamfer	short angle sid	≡	≡	≡	≡	≡	≡	≡	≡	≡

TOLERANCES EXCEPT AS NOTED



Electrical
 Standard: UL 300V 250V IEC 10A
 Rated current: 8A
 Rated voltage: 300V 250V
 Contact resistance: 20mΩ
 Withstanding voltage: AC2000V/1min
 Insulation resistance: 500MΩ/DC500V
 Mechanical
 Temp. Range: -40°C ~ +105°C
 MAX Soldering: +250°C, for 5 Sec
 Dimensions
 Pitch: 3.81mm/3.50mm
 Poles: 2P-24P
 Material
 Housing: PA66, UL94V-0
 Pin header: Brass, Tin plated

X-ON Electronics

Largest Supplier of Electrical and Electronic Components

Click to view similar products for [imo manufacturer](#):

Other Similar products are found below :

[20.155MV/12-E](#) [MC14N-S-10110AC](#) [MB09-S-10=24](#) [DPS-1-030-24](#) [SRF-1C-SL-12VDC](#) [MB09-S-1024](#) [LDC18RRS](#) [SFSYE0111](#)
[21.1500M/6-E](#) [20.3304M/2-E](#) [21.910M/5-E](#) [20.95MA/2-E](#) [21.95MHF/2-E](#) [PE69-4032](#) [DPS-1-060-24](#) [CS20A-A2](#) [CS20A-U1](#) [VFC02](#)
[MSSTC11DA06](#) [20.95MHF/3-E](#) [B3T10](#) [XKL-040-21](#) [20.3304M/4-E](#) [SRDH-1A-SL-24VDC](#) [20.2500M/5-E](#) [21.155MH/12](#) [SRRHN-2CN-](#)
[SL-12VDC](#) [QYE21XXF24DC](#) [20.920M/5-E](#) [MC10N-S-10110AC](#) [21.1550MF/8-E](#) [20.910M/6-E](#) [20.95MH/3-E](#) [21.95MV/3](#) [MA05-S-](#)
[01230AC](#) [SRRHN-2CN-SL-5VDC](#) [LB69-4040](#) [20.3001M/6](#) [21.1500M/3-E](#) [SFSYE0311](#) [21.95MHF/6-E](#) [20.95MV/2-E](#) [20.155MV/4-E](#)
[20.155MH/4-E](#) [20.950M/2-E](#) [MT5 1-50-FAR](#) [BS3P3REDO](#) [MB12-S-10=24](#) [MA05-S-1024DC](#) [20.155MVF/8-E](#)