

# Online Data Sheet

## Encoder WDG 58H

[www.wachendorff-automation.com/wdg58h](http://www.wachendorff-automation.com/wdg58h)

### **Wachendorff Automation**

#### **... systems and encoders**

- Complete systems
- Industrial rugged encoders to suit your application
- Standard range and customer versions
- Maximum permissible loads
- 48-hour express production
- Made in Germany
- Worldwide distributor network

# Encoder WDG 58H



- Rugged industrial standard encoder
- Up to 25000 PPR by use of high grad electronics
- Thru-Bore
- High protection class IP65, with oil seal
- Maximum mechanical and electrical safety
- High noise immunity
- Full connection protection with 10 VDC up to 30 VDC
- With light reserve warning
- Optional: -40 °C up to +80 °C

[www.wachendorff-automation.com/wdg58h](http://www.wachendorff-automation.com/wdg58h)

Resolution	
Max. pulses per revolution PPR	up to 25000 PPR
Mechanical Data	
Housing	
Flange	hollow shaft (through-bored)
Flange material	aluminium
Housing cap	aluminium, powder coated
Torque supports	incl. 1 torque support WDGDS10001
- 1. Spring plate compensation	axial: ±0.8 mm, radial: ±0.2 mm
- Max. operating speed	6000 rpm up to max. protection rating +60 °C
- 2. Cylinder pin 4 mm	needs accessories WDGDS10005
- Compensation	axial: ±0.5 mm, radial: ±1.5 mm, Max. operating speed: 3000 rpm
Housing	Ø 58 mm
Shaft(s)	
Shaft material	stainless steel
Starting torque	approx. 2.2 Ncm at ambient temperature
Fixing	permanently attached clamping ring
Shaft	Ø 8 mm
Shaft length	L: 44.5 mm
Max. Permissible shaft loading radial	80 N
Max. Permissible shaft loading axial	60 N
Shaft	Ø 10 mm
Shaft length	L: 44.5 mm
Max. Permissible shaft loading radial	80 N
Max. Permissible shaft loading axial	60 N
Shaft	Ø 12 mm
Shaft length	L: 44.5 mm
Max. Permissible shaft loading radial	80 N
Max. Permissible shaft loading axial	60 N
Shaft	Ø 12.7 mm, Ø 1/2"

Shaft length	L: 44.5 mm, L: 1.75"
Max. Permissible shaft loading radial	80 N, 8.15 kp
Max. Permissible shaft loading axial	60 N, 6.12 kp
Shaft	Ø 14 mm
Shaft length	L: 44.5 mm
Max. Permissible shaft loading radial	80 N
Max. Permissible shaft loading axial	60 N
Bearings	
Bearings type	2 precision ball bearings
Nominale service life	1 x 10 <sup>9</sup> revs. at 100 % rated shaft load 1 x 10 <sup>10</sup> revs. at 40 % rated shaft load 1 x 10 <sup>11</sup> revs. at 20 % rated shaft load
Max. operating speed	6000 rpm
Machinery Directive: basic data safety integrity level	
MTTF <sub>d</sub>	200 a
Mission time (TM)	25 a
Nominale service life (L10h)	1 x 10 <sup>11</sup> revs. at 20 % rated shaft load and 6000 rpm
Diagnostic coverage (DC)	0 %
Electrical Data	
Power supply/Current consumption	4,75 VDC up to 5,5 VDC: max. 100 mA 5 VDC up to 30 VDC: max. 70 mA 10 VDC up to 30 VDC: max. 100 mA
Output circuit	TTL TTL, RS422 compatible, inv. HTL HTL, inv. 1 Vpp sin/cos
Pulse frequency	TTL 5000 ppr: max. 200 kHz HTL 5000 ppr: max. 200 kHz TTL more than 5000 ppr: max. 2 MHz HTL more than 5000 ppr: max. 600 kHz 1 Vpp sin/cos: max. 100 kHz
Channels	AB ABN and inverted signals
Load	max. 40 mA / channel @ 1 Vpp sin/cos: min. 120 Ohm

---

Circuit protection	circuit type F24, G24, H24, I24, P24, R24 only
--------------------	--

---

**Accuracy**

---

Phase offset	90° ± max. 7.5 % of the pulse length
pulse-/pause-ratio	50 % ± max. 7 %

---

**General Data**

---

Weight	approx. 220 g
Connections	cable or connector, radial
Protection rating (EN 60529)	IP65 all around
Operating temperature	-20 °C up to +80 °C 1 Vpp: -10 °C up to +70 °C
Storage temperature	-30 °C up to +80 °C

---

**More Information**

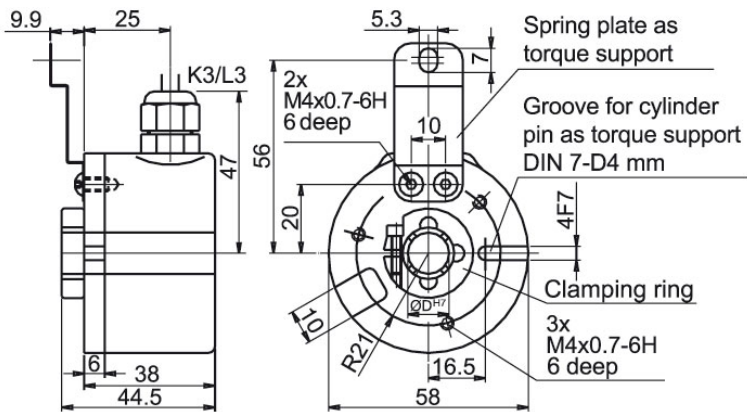
General technical data

<http://www.wachendorff-automation.com/gtd>

Options

<http://www.wachendorff-automation.com/acc>

---

**Cable connection K3, L3 with 2 m cable**

**Description**
**ABN inv. poss.**
**K3** radial, shield not connected

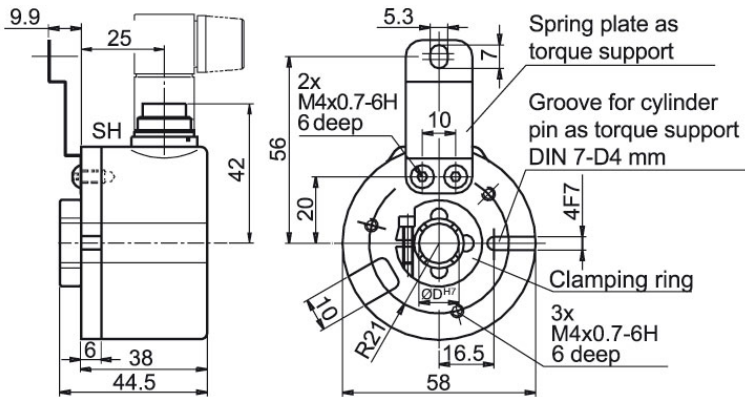
•

**L3** radial, shield connected to encoder housing

•

**Assignments**

	K3, L3	K3, L3	K3, L3	K3, L3	K3, L3
<b>Circuit</b>	G05, G24	F05, H05, F24, H24, H30	I05, I24, 524	P05, R05, P24, R24, 245, 645, R30	SIN
<b>GND</b>	WH	WH	WH	WH	WH
<b>+UB</b>	BN	BN	BN	BN	BN
<b>A</b>	GN	GN	GN	GN	GN
<b>B</b>	YE	YE	YE	YE	GY
<b>N</b>	GY	GY	GY	GY	-
<b>Light reserve warning</b>	PK	-	PK	-	-
<b>A inv.</b>	-	-	RD	RD	YE
<b>B inv.</b>	-	-	BK	BK	PK
<b>N inv.</b>	-	-	VT	VT	-
<b>Shield</b>	flex	flex	flex	flex	flex

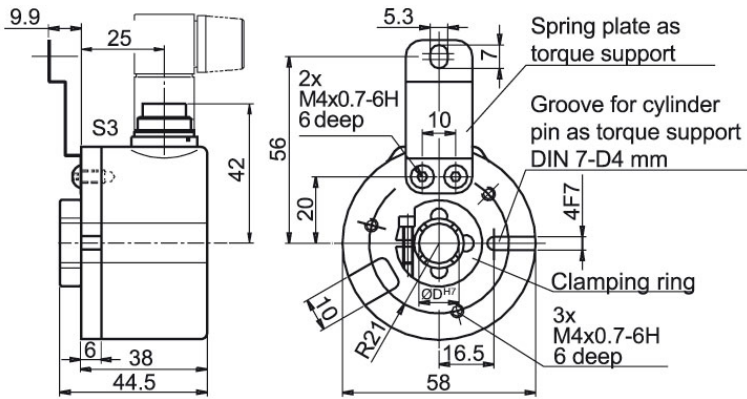
**Connector (M16x0.75) SH, 5-, 6-, 8-, 12-pin**

**Description**
**ABN inv. poss.**

<b>SH5</b>	radial, 5-pin, Connector connected to encoder housing	-
<b>SH6</b>	radial, 6-pin, Connector connected to encoder housing	-
<b>SH8</b>	radial, 8-pin, Connector connected to encoder housing	•
<b>SH12</b>	radial, 12-pin, Connector connected to encoder housing	•

**Assignments**

	<b>SH5</b>	<b>SH6</b>	<b>SH6</b>	<b>SH8</b>	<b>SH8</b>	<b>SH12</b>	<b>SH12</b>	<b>SH12</b>	<b>SH12</b>	<b>SH12</b>
	<b>5-pin</b>	<b>6-pin</b>	<b>6-pin</b>	<b>8-pin</b>	<b>8-pin</b>	<b>12-pin</b>	<b>12-pin</b>	<b>12-pin</b>	<b>12-pin</b>	<b>12-pin</b>
<b>Circuit</b>	F05, H05, F24, H24, H30	G05, G24	F05, H05, F24, H24, H30	F05, H05, F24, H24, H30	P05, R05, P24, R24, R30, 245, 645	G05, G24	F05, H05, F24, H24, H30	I05, I24, 524	P05, R05, P24, R24, 245, 645, R30	SIN
<b>GND</b>	1	6	6	1	1	K, L	K, L	K, L	K, L	K, L
<b>+UB</b>	2	1	1	2	2	M, B	M, B	M, B	M, B	M, B
<b>A</b>	3	2	2	3	3	E	E	E	E	E
<b>B</b>	4	4	4	4	4	H	H	H	H	H
<b>N</b>	5	3	3	5	5	C	C	C	C	-
<b>Light reserve warning</b>	-	5	-	-	-	G	-	G	-	-
<b>A inv.</b>	-	-	-	-	6	-	-	F	F	F
<b>B inv.</b>	-	-	-	-	7	-	-	A	A	A
<b>N inv.</b>	-	-	-	-	8	-	-	D	D	-
<b>n. c.</b>	-	-	5	6, 7, 8	-	A, D, F, J	A, D, F, G, J	J	G, J	D, G, J
<b>Shield</b>	-	-	-	-	-	-	-	-	-	-

**Connector (M16x0.75) S3, 7-pin**

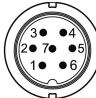



**Description**

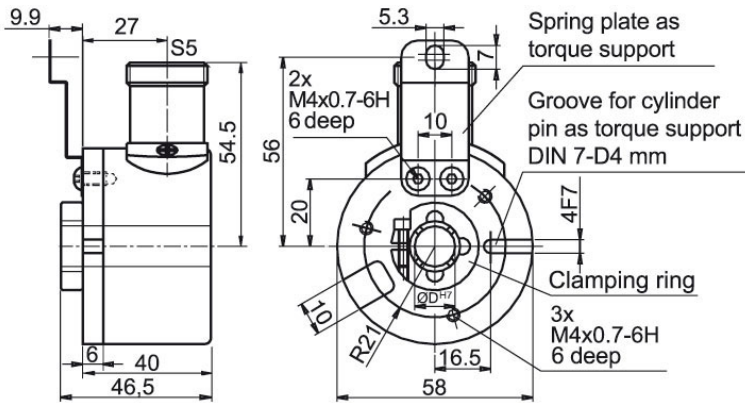
ABN inv. poss.

**S3** radial, 7-pin, Connector connected to encoder housing

-

Assignments		
	S3	S3
	7-pin	7-pin
		
<b>Circuit</b>	G05, G24	F05, H05, F24, H24, H30
<b>GND</b>	1	1
<b>+UB</b>	2	2
<b>A</b>	3	3
<b>B</b>	4	4
<b>N</b>	5	5
<b>Light reserve warning</b>	6	-
<b>A inv.</b>	-	-
<b>B inv.</b>	-	-
<b>N inv.</b>	-	-
<b>n. c.</b>	7	6, 7
<b>Shield</b>	-	-

### Connector (M23) S5, 12-pin

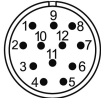



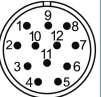


### Description

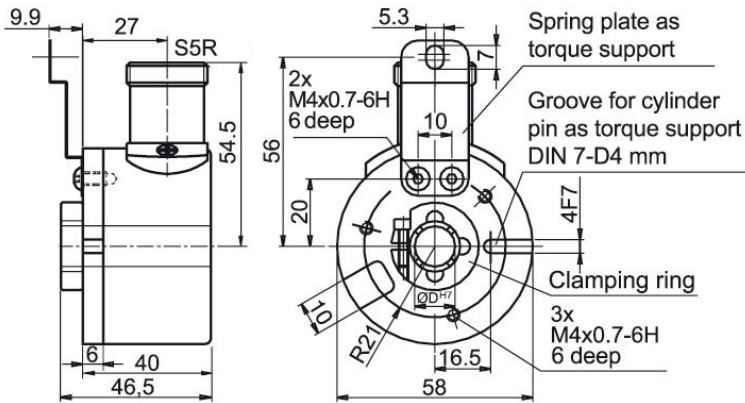
ABN inv. poss.

S5 radial, 12-pin, Connector connected to encoder housing

•

Assignments					
	S5	S5	S5	S5	S5
	12-pin	12-pin	12-pin	12-pin	12-pin
					
<b>Circuit</b>	G05, G24	F05, H05, F24, H24, H30	I05, I24, 524	P05, R05, P24, R24, 245, 645, R30	SIN
<b>GND</b>	10	10	10	10	10
<b>+UB</b>	12	12	12	12	12
<b>A</b>	5	5	5	5	5
<b>B</b>	8	8	8	8	8
<b>N</b>	3	3	3	3	-
<b>Light reserve warning</b>	11	-	11	-	-
<b>A inv.</b>	-	-	6	6	6
<b>B inv.</b>	-	-	1	1	1
<b>N inv.</b>	-	-	4	4	-
<b>n. c.</b>	1, 2, 4, 6, 7, 9	1, 2, 4, 6, 7, 9, 11	2, 7, 9	2, 7, 9, 11	2, 3, 4, 7, 9, 11
<b>Shield</b>	-	-	-	-	-

**Connector (M23) S5R, 12-pin (clockwise)**

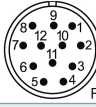
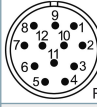
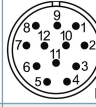
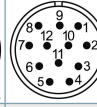
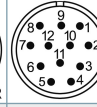


**Description**

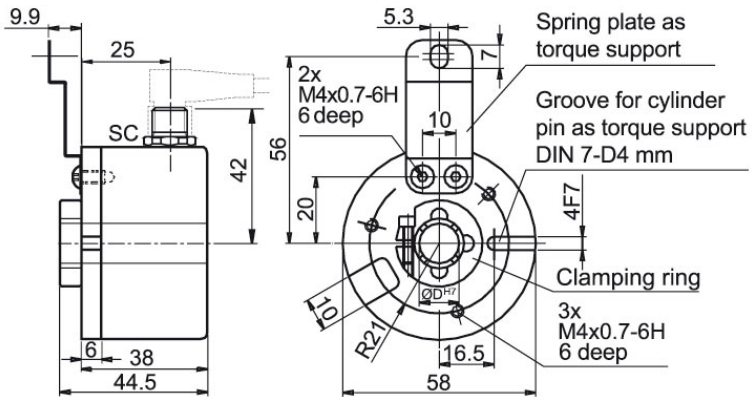
ABN inv. poss.

**S5R** radial, 12-pin, Connector connected to encoder housing

•

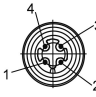
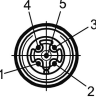
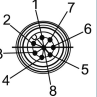
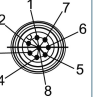
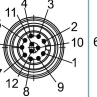
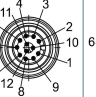
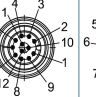
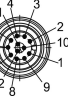
Assignments					
	S5R	S5R	S5R	S5R	S5R
	12-pin	12-pin	12-pin	12-pin	12-pin
					
<b>Circuit</b>	G05, G24	F05, H05, F24, H24, H30	I05, I24, 524	P05, R05, P24, R24, 245, 645, R30	SIN
<b>GND</b>	10	10	10	10	10
<b>+UB</b>	12	12	12	12	12
<b>A</b>	5	5	5	5	5
<b>B</b>	8	8	8	8	8
<b>N</b>	3	3	3	3	-
<b>Light reserve warning</b>	11	-	11	-	-
<b>A inv.</b>	-	-	6	6	6
<b>B inv.</b>	-	-	1	1	1
<b>N inv.</b>	-	-	4	4	-
<b>n. c.</b>	1, 2, 4, 6, 7, 9	1, 2, 4, 6, 7, 9, 11	2, 7, 9	2, 7, 9, 11	2, 3, 4, 7, 9, 11
<b>Shield</b>	-	-	-	-	-



**Sensor-connector (M12x1) SC, 4-, 5-, 8-, 12-pin**

**Description**
**ABN inv. poss.**

<b>SC4</b>	radial, 4-pin, Connector connected to encoder housing	-
<b>SC5</b>	radial, 5-pin, Connector connected to encoder housing	-
<b>SC8</b>	radial, 8-pin, Connector connected to encoder housing	•
<b>SC12</b>	radial, 12-pin, Connector connected to encoder housing	•

**Assignments**

	<b>SC4</b>	<b>SC5</b>	<b>SC8</b>	<b>SC8</b>	<b>SC12</b>	<b>SC12</b>	<b>SC12</b>	<b>SC12</b>
	<b>4-pin</b>	<b>5-pin</b>	<b>8-pin</b>	<b>8-pin</b>	<b>12-pin</b>	<b>12-pin</b>	<b>12-pin</b>	<b>12-pin</b>
								
<b>Circuit</b>	F05, H05, F24, H24, H30	F05, H05, F24, H24, H30	F05, H05, F24, H24, H30	P05, R05, P24, R24, R30, 245, 645	G05, G24	F05, H05, F24, H24, H30	I05, I24, 524	P05, R05, P24, R24, 245, 645, R30
<b>GND</b>	3	3	1	1	3	3	3	3
<b>+UB</b>	1	1	2	2	1	1	1	1
<b>A</b>	2	4	3	3	4	4	4	4
<b>B</b>	4	2	4	4	6	6	6	6
<b>N</b>	-	5	5	5	8	8	8	8
<b>Light reserve warning</b>	-	-	-	-	5	-	5	-
<b>A inv.</b>	-	-	-	6	-	-	9	9
<b>B inv.</b>	-	-	-	7	-	-	7	7
<b>N inv.</b>	-	-	-	8	-	-	10	10
<b>n. c.</b>	-	-	6, 7, 8	-	2, 7, 9, 10, 11, 12	2, 5, 7, 9, 10, 11, 12	2, 11, 12	2, 5, 11, 12
<b>Shield</b>	-	-	-	-	-	-	-	-

## Options

### Low temperature

The encoder WDG 58H with the output circuit types F24, G24, H24, I24, P24, R24, F05, G05, I05, P05, 645 is also available with the extended temperature range -40 °C up to +80 °C [-40 °F up to +176 °F] (measured at the flange).

### Order key

**ACA**

### Cable length

The encoder WDG 58H can be supplied with more than 2 m cable. The maximum cable length depends on the supply voltage and the frequency; see [www.wachendorff-automation.com/atd](http://www.wachendorff-automation.com/atd)

Please extend the standard order code with a three figure number, specifying the cable length in decimetres.

Example: 3 m cable = 030

### Order key

**XXX = Decimeter**

Example Order No.	Type				Your encoder
WDG 58H	WDG 58H				WDG 58H
<b>Bore size</b>					
10	08; 10; 12; 3Z= Ø 12.7 mm, Ø 1/2"; 14				
<b>Pulses per revolution PPR I/U (PPR):</b>					
1024	4, 6, 10, 32, 36, 50, 60, 64, 100, 120, 125, 127, 150, 180, 200, 216, 240, 250, 254, 256, 300, 314, 360, 400, 500, 512, 600, 625, 720, 750, 768, 800, 810, 900, 1000, 1024, 1200, 1250, 1270, 1440, 1500, 1800, 2000, 2048, 2500, 3000, 3600, 4000, 4096, 5000, 10000, 12500, 20000, 25000 1 Vss Sin/Cos only 1024, 2048 Other PPRs on request				
<b>Channels:</b>					
ABN	AB, ABN (SIN: AB)				
<b>Output circuit</b>					
G24	<b>Resolution PPR</b>	<b>Power supply VDC</b>	<b>Output circuit</b>	<b>Light reserve warning</b>	<b>Order key</b>
	up to 2500	5 - 30	HTL	-	H30
		5 - 30	HTL inverted	-	R30
	up to 5000	4.75 - 5.5	TTL	•	G05
		4.75 - 5.5	TTL	-	H05
		4.75 - 5.5	TTL, RS422 comp., inverted	•	I05
		4.75 - 5.5	TTL, RS422 comp., inverted	-	R05
		10 - 30	HTL	•	G24
		10 - 30	HTL	-	H24
		10 - 30	HTL inverted	•	I24
		10 - 30	HTL inverted	-	R24
		10 - 30	TTL, RS422 comp., inverted	•	524
		10 - 30	TTL, RS422 comp., inverted	-	245
	10000 up to 25000	4.75 - 5.5	TTL	-	F05
		4.75 - 5.5	TTL, RS422 comp., inverted	-	P05
		10 - 30	HTL	-	F24
		10 - 30	HTL inverted	-	P24
	1024, 2048	4.75 - 5.5	TTL, RS422 comp., inverted	-	645
			1 Vpp sin/cos	-	SIN
	<b>Electrical connections</b>				
K3	<b>Description</b>			<b>ABN inv. poss.</b>	<b>Order key</b>
	<b>Cable: length (2 m standard, WDG 58T: 1 m)</b>				
	radial, shield not connected			•	K3
	radial, shield connected to encoder housing			•	L3
	<b>Connector: (shield connected to encoder housing)</b>				
	connector, M16x0.75, 5-pin, radial			-	SH5
	connector, M16x0.75, 6-pin, radial			-	SH6
	connector, M16x0.75, 8-pin, radial			•	SH8
	connector, M16x0.75, 12-pin, radial			•	SH12
	connector, M16x0.75, 7-pin, radial			-	S3
	connector, M23, 12-pin, radial			•	S5
	connector, clockwise pin count, M23, 12-pin, radial			•	S5R
	sensor-connector, M12x1, 4-pin, radial			-	SC4
	sensor-connector, M12x1, 5-pin, radial			-	SC5
	sensor-connector, M12x1, 8-pin, radial			•	SC8
	sensor-connector, M12x1, 12-pin, radial			•	SC12

Options		
Description	Order key	
Without option	Empty	
Low temperature	ACA	
Cable length	XXX = Decimeter	

<b>Example Order No.=</b>	WDG 58H	10	1024	ABN	G24	K3			WDG 58H								<b>Your encoder</b>
---------------------------	---------	----	------	-----	-----	----	--	--	---------	--	--	--	--	--	--	--	---------------------



For further information please contact our local distributor.  
Here you find a list of our distributors worldwide.  
[http://www.wachendorff-automation.com/distributors\\_worldwide.html](http://www.wachendorff-automation.com/distributors_worldwide.html)



Wachendorff Automation GmbH & Co. KG  
Industriestrasse 7 • D-65366 Geisenheim

Phone: +49 67 22 / 99 65 25  
Fax: +49 67 22 / 99 65 70  
E-Mail: [wdg@wachendorff.de](mailto:wdg@wachendorff.de)  
[www.wachendorff-automation.de](http://www.wachendorff-automation.de)



## **X-ON Electronics**

Largest Supplier of Electrical and Electronic Components

*Click to view similar products for [Wachendorff](#) manufacturer:*

Other Similar products are found below :

[WDG 58H-12-4096-ABN-R24-K3](#) [FB29B0606](#) [PLT200KIT](#)