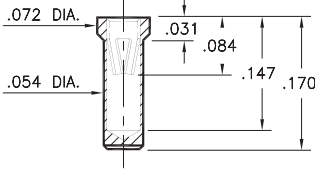
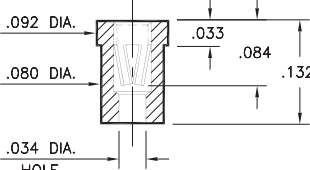
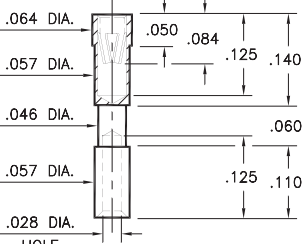
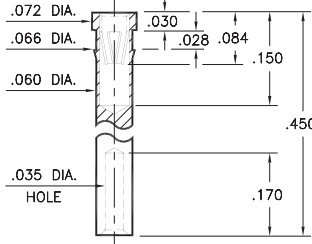
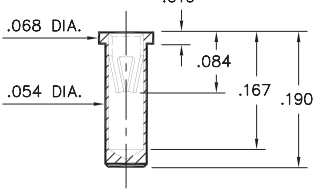
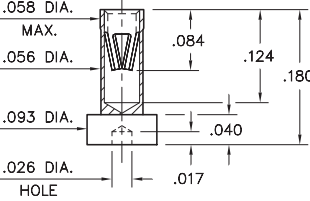


# PIN RECEPTACLES

FOR .020" - .032" DIAMETER PINS

<p><b>0338</b>  <b>0338-0-15-XX-15-XX-10-0</b>                  Solder mount in .057 min. mounting hole                  Also available on 16mm wide carrier tape:                  1,700 parts per 13" reel                  See page 194.6 for Tape &amp; Reel details</p> 	<p><b>0378</b>  <b>0378-0-15-XX-15-XX-10-0</b>                  Solder mount in .082 min. mounting hole</p> 	<p><b>6002</b>  <b>6002-0-19-XX-15-XX-10-0</b>                  Solder mount in .059 min. mounting hole                  Wire Termination. Accepts wire sizes                  26 AWG Max. / 30 AWG Min.</p> 	<p><b>7009</b>  <b>7009-0-19-XX-15-XX-10-0</b>                  Press-fit in .063 min. mounting hole                  Wire Termination. Accepts wire sizes                  22 AWG Max. / 26 AWG Min.</p> 
<p><b>0339</b>  <b>0339-0-15-XX-15-XX-10-0</b>                  Solder mount in .057 min. mounting hole                  Also available on 24mm wide carrier tape:                  1,540 parts per 13" reel                  See page 194.6 for Tape &amp; Reel details</p> 	<p><b>5200</b>  <b>5200-0-19-XX-15-27-10-0</b>                  Surface mount on a .103" dia. P.C.B. pad</p> 		

**SPECIFICATIONS:**

**Shell Material:** Brass Alloy 360, 1/2 Hard  
**Contact Material:** Beryllium Copper Alloy 172, HT  
**Dimensions: Inches**  
**Tolerances On:** Lengths: ±.005  
 Diameters: ±.002  
 Angles: ± 2°



**ORDER CODE: XXXX - X - XX - XX - 15 - XX - 10 - 0**

**BASIC PART #**

**SPECIFY SHELL FINISH:**

- 01 200 μ" TIN/LEAD OVER NICKEL
- ◆ 80 200 μ" TIN OVER NICKEL (RoHS)
- ◆ 15 10 μ" GOLD OVER NICKEL (RoHS)

**SPECIFY CONTACT FINISH:**

- 01 200 μ" TIN/LEAD OVER NICKEL
- ◆ 80 200 μ" TIN OVER NICKEL (RoHS)
- ◆ 27 30 μ" GOLD OVER NICKEL (RoHS)

**SELECT CONTACT:**

**#15 CONTACT (DATA ON PAGE 254)**

(For alternate contact choices, see group K on page 248)



## X-ON Electronics

Largest Supplier of Electrical and Electronic Components

*Click to view similar products for [Circuit Board Hardware - PCB category](#):*

*Click to view products by [Mill-Max manufacturer](#):*

Other Similar products are found below :

[8919-0-00-15-00-00-03-0](#) [0132-0-15-01-30-27-04-0](#) [0135-0-15-01-30-27-04-0](#) [5970-1-15-01-32-14-04-0](#) [0132-0-15-15-30-27-04-0](#) [0135-0-15-15-30-27-04-0](#) [0149-0-15-15-30-27-04-0](#) [MBI 1 BLUE](#) [7305-0-15-15-47-14-10-0](#) [MKU 1 BLACK](#) [MLN 150/1 BLACK](#) [8579-0-15-80-11-27-10-0](#) [8579-1-15-15-11-27-10-0](#) [8637-0-15-15-21-14-10-0](#) [8830-0-15-01-22-14-10-0](#) [8836-0-00-21-00-00-03-0](#) [PRUEF 2 RED](#) [9976-0-00-00-00-00-03-0](#) [1178-0-01-80-00-00-03-0](#) [PW1616](#) [1215-3-05-00-00-00-01-0](#) [1303-0-15-15-47-14-04-0](#) [1404-3](#) [1404-4](#) [1406-4](#) [1407-3](#) [1406-3](#) [1407-4](#) [1408-3](#) [1424-4](#) [1426-3](#) [1427-3](#) [1427-4](#) [1428-3](#) [1419-4](#) [1424-3](#) [1426-4](#) [1428-4](#) [MPS 1 BLACK](#) [1520150-1](#) [1548-103](#) [1801-0-15-15-30-27-04-0](#) [1938-0-00-00-00-00-03-0](#) [1942-0-00-00-00-00-03-0](#) [2101-3-00-44-00-00-07-0](#) [2104-2-01-44-00-00-07-0](#) [2108-2-00-50-00-00-07-0](#) [2108-3-00-44-00-00-07-0](#) [2109-2-00-44-00-00-07-0](#) [2110-2-00-44-00-00-07-0](#)