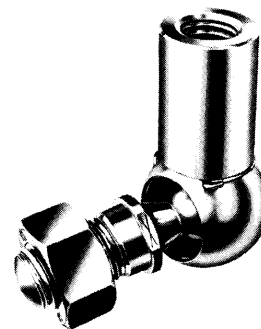


BALL & SOCKET JOINTS

Manufactured to DIN 71802, these ball & socket joints feature induction hardened balls to resist wear. Security clips retain the threaded ball studs in their sockets and spanner flats are provided on the stud. Spanner flats can be provided on the sockets to order. Available in mild steel - zinc plated and clear passivated or in stainless steel, from stock.

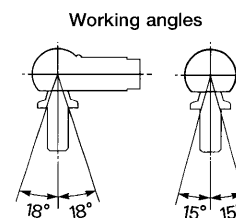
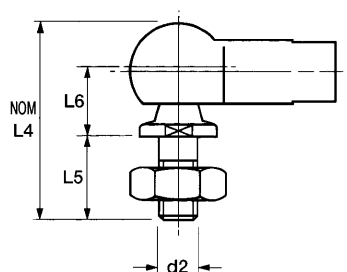
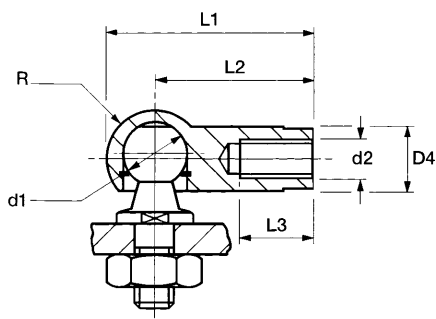
Maximum static push/pull values are valid for both radial and axial loads but do not apply to stainless steel versions.

Supplied with appropriate lock nut.



4

Order Code	Material	Thread	Size	Ball Ø		D4	L1	L2	L3	L4	L5	L6	R	Spanner flats A/F	Max static push/pull (kp)
				d1	d2										
373.05.C	Mild Steel	RH	5	8	M5	8	28.5	22	10.5	25.0	10.2	9	6.4	7	30
373.06.C	Mild Steel	RH	6	10	M6	10	32.5	25	11.5	30.0	12.5	11	7.5	8	70
373.08.C	Mild Steel	RH	8	13	M8	13	39.5	30	14.0	38.0	16.5	13	9.7	11	150
373.10.C	Mild Steel	RH	10	16	M10	16	47.0	35	15.5	47.5	20.0	16	12.0	13	200
373.12.C	Mild Steel	RH	12	16	M12	16	47.0	35	15.5	47.5	20.0	16	12.0	13	200
374.05.C	Mild Steel	LH	5	8	M5	8	28.5	22	10.5	25.0	10.2	9	6.4	7	30
374.06.C	Mild Steel	LH	6	10	M6	10	32.5	25	11.5	30.0	12.5	11	7.5	8	70
374.08.C	Mild Steel	LH	8	13	M8	13	39.5	30	14.0	38.0	16.5	13	9.7	11	150
374.10.C	Mild Steel	LH	10	16	M10	16	47.0	35	15.5	47.5	20.0	16	12.0	13	200
374.12.C	Mild Steel	LH	12	16	M12	16	47.0	35	15.5	47.5	20.0	16	12.0	13	200
373.05.C.S	Stainless Steel	RH	5	8	M5	8	28.5	22	10.5	25.0	10.2	9	6.4	-	-
373.06.C.S	Stainless Steel	RH	6	10	M6	10	32.5	25	11.5	30.0	12.5	11	7.5	-	-
373.08.C.S	Stainless Steel	RH	8	13	M8	13	39.5	30	14.0	38.0	16.5	13	9.7	-	-
373.10.C.S	Stainless Steel	RH	10	16	M10	16	47.0	35	15.5	47.5	20.0	16	12.0	-	-
373.12.C.S	Stainless Steel	RH	12	16	M12	16	47.0	35	15.5	47.5	20.0	16	12.0	-	-
374.05.C.S	Stainless Steel	LH	5	8	M5	8	28.5	22	10.5	25.0	10.2	9	6.4	-	-
374.06.C.S	Stainless Steel	LH	6	10	M6	10	32.5	25	11.5	30.0	12.5	11	7.5	-	-
374.08.C.S	Stainless Steel	LH	8	13	M8	13	39.5	30	14.0	38.0	16.5	13	9.7	-	-
374.10.C.S	Stainless Steel	LH	10	16	M10	16	47.0	35	15.5	47.5	20.0	16	12.0	-	-
374.12.C.S	Stainless Steel	LH	12	16	M12	16	47.0	35	15.5	47.5	20.0	16	12.0	-	-



X-ON Electronics

Largest Supplier of Electrical and Electronic Components

Click to view similar products for [huco manufacturer](#):

Other Similar products are found below :

[232P13.20.F](#) [236P13.F](#) [101283022FAR](#) [724.13.2020](#) [104221601FAR](#) [724.19.2020](#) [453P19.22.F](#) [466P33.3232.F](#) [104283601FAR](#)

[232P13.24.F](#) [724.19.2222](#) [101281040FAR](#) [236P25.F](#) [207P18.2222.F](#) [236P19.F](#) [725.25.3232](#) [101281080FAR](#) [725.19.2020](#) [101281030FAR](#)

[271P.25.28.F](#) [035940X](#) [403374X](#) [403383H](#) [403378B](#) [HSL.4070.08](#) [035936C](#) [403369D](#) [035943E](#) [HSL3050.15](#) [035939H](#) [403382X](#)

[HSL3050.30](#) [403376F](#) [HSL3050.12](#) [HSL3050.08](#) [403381A](#) [403384F](#) [HSL3050.20](#) [453P19.20.F](#) [HSL3050.05](#) [HTLP3050-14](#) [HSL3050.10](#)

[035937A](#) [HSL3050.25](#) [HSL3050.06](#) [403375H](#)