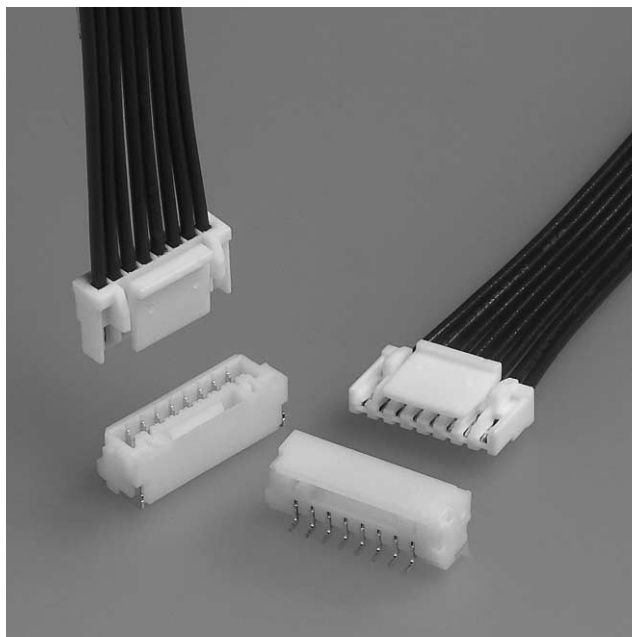


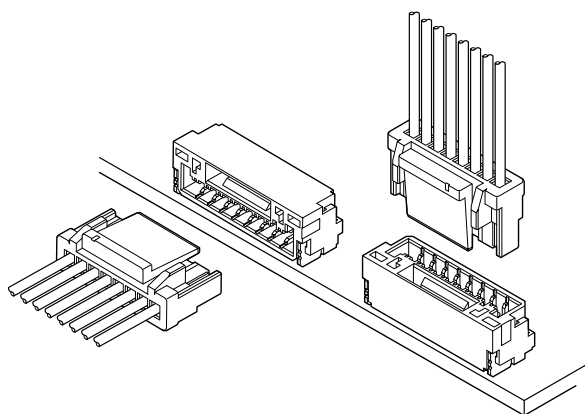
GH CONNECTOR



Disconnectable Crimp style connectors



Developed for PDP, LCD or small electronics equipment.
This low insertion type connector realizes easier mating operation. The basic concept of the contact part of this connector is equivalent to the performance proven SHL connector.



Features

• Secure locking structure

This innovative housing lock design achieves a locking device which is easy to handle as well as secure.

• Contact lock structure

A contact lock provides a good "click feeling" when mated, which prevents improper mating during assembly.

• Prevent deformation of contacts

Fork-shaped header contacts are supported by grooves on the housing walls designed to prevent deformation of contacts.

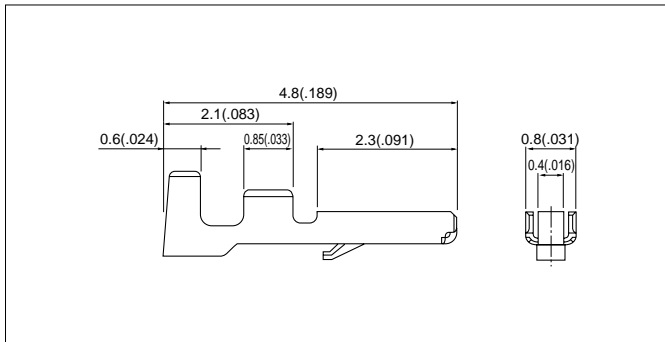
Specifications

- Current rating: 1.0A AC, DC (AWG #26)
 - Voltage rating: 50V AC, DC
 - Temperature range: -25°C to +85°C
(including temperature rise in applying electrical current)
 - Contact resistance: Initial value/30m Ω max.
After environmental testing/50m Ω max.
 - Insulation resistance: 100M Ω min.
 - Withstanding voltage: 500V AC/minute
 - Applicable wire: AWG #30 to #26
Insulation O.D./0.8 to 1.0mm (.031" to .039")
- * Contact JST if Lead-Free product is required.
 * Refer to "General Instruction and Notice when using Terminals and Connectors" at the end of this catalog.
 * Contact JST for details.

Standards

Recognized E60389

Contact

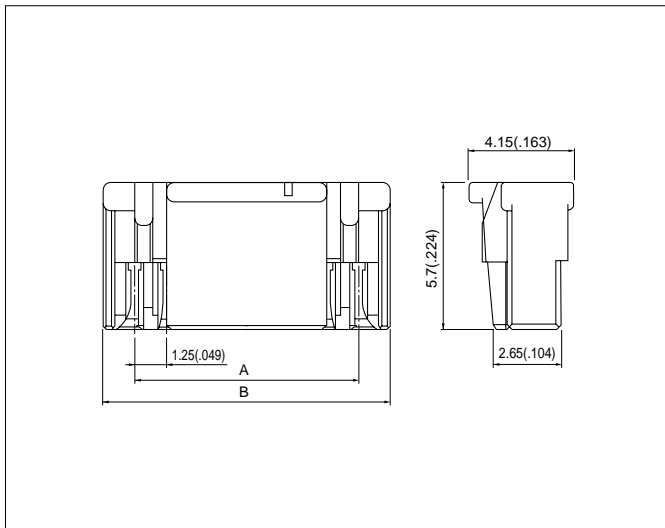


Model No.	Applicable wire		Insulation O.D. mm(in.)	Q'ty / reel
	mm ²	AWG#		
SSHL-002T-P0.2	0.05 to 0.13	30 to 26	0.8 to 1.0(.031 to .039)	23,000

Material and Finish

Phosphor bronze, tin-plated

Housing

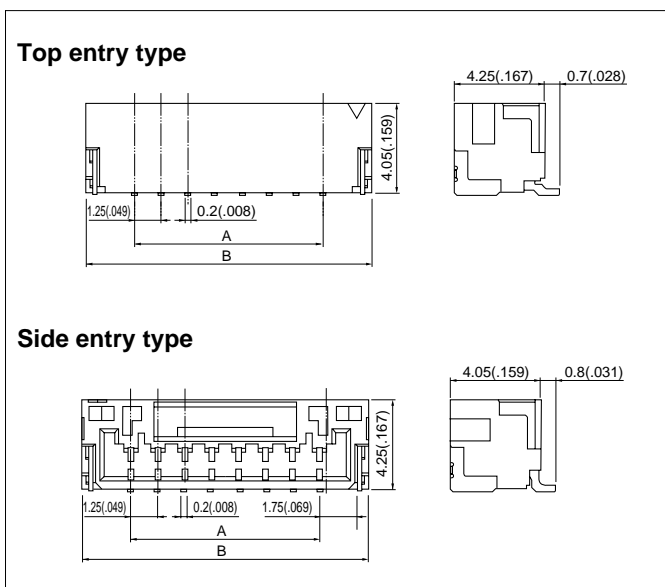


Circuits	Model No	Dimensions mm(in.)		Q'ty / box
		A	B	
2	GHR-02V-S	1.25(.049)	3.75(.148)	4,000
3	GHR-03V-S	2.50(.098)	5.00(.197)	3,000
4	GHR-04V-S	3.75(.148)	6.25(.246)	2,500
5	GHR-05V-S	5.00(.197)	7.50(.295)	2,000
6	GHR-06V-S	6.25(.246)	8.75(.344)	1,500
7	GHR-07V-S	7.50(.295)	10.00(.394)	1,500
8	GHR-08V-S	8.75(.344)	11.25(.443)	1,000
9	GHR-09V-S	10.00(.394)	12.50(.492)	1,000
10	GHR-10V-S	11.25(.443)	13.75(.541)	1,000
11	GHR-11V-S	12.50(.492)	15.00(.591)	1,000
12	GHR-12V-S	13.75(.541)	16.25(.640)	1,000
13	GHR-13V-S	15.00(.591)	17.50(.689)	1,000
14	GHR-14V-S	16.25(.640)	18.75(.738)	500
15	GHR-15V-S	17.50(.689)	20.00(.787)	500

Material

PBT, UL94V-0, natural

Shrouded header



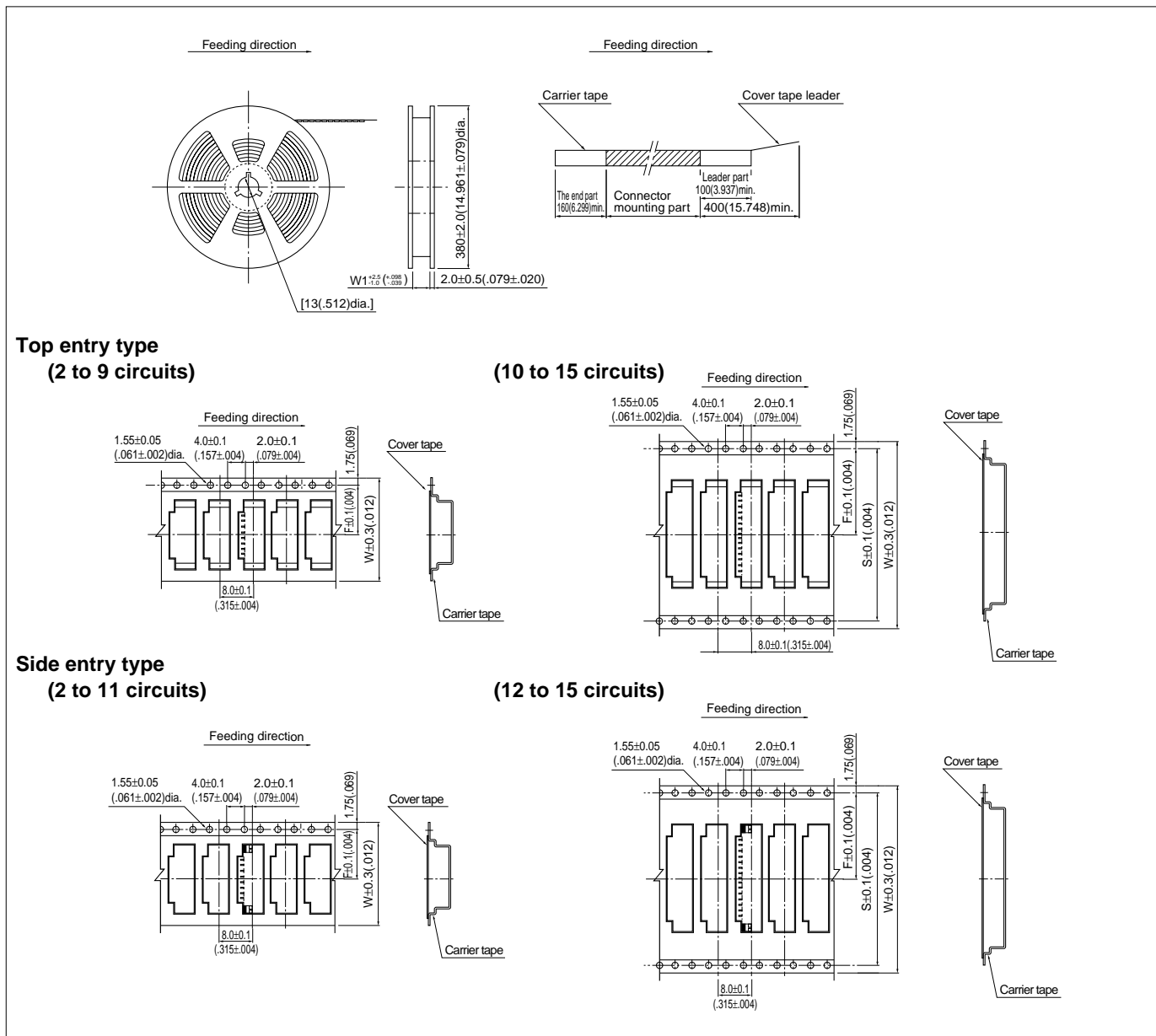
Circuits	Model No.		Dimensions mm(in.)		Q'ty / reel
	Top entry type	Side entry type	A	B	
2	BM02B-GHS-TBT	SM02B-GHS-TB	1.25(.049)	5.75(.226)	2,500
3	BM03B-GHS-TBT	SM03B-GHS-TB	2.50(.098)	7.00(.276)	2,500
4	BM04B-GHS-TBT	SM04B-GHS-TB	3.75(.148)	8.25(.325)	2,500
5	BM05B-GHS-TBT	SM05B-GHS-TB	5.00(.197)	9.50(.374)	2,500
6	BM06B-GHS-TBT	SM06B-GHS-TB	6.25(.246)	10.75(.423)	2,500
7	BM07B-GHS-TBT	SM07B-GHS-TB	7.50(.295)	12.00(.472)	2,500
8	BM08B-GHS-TBT	SM08B-GHS-TB	8.75(.344)	13.25(.522)	2,500
9	BM09B-GHS-TBT	SM09B-GHS-TB	10.00(.394)	14.50(.571)	2,500
10	BM10B-GHS-TBT	SM10B-GHS-TB	11.25(.443)	15.75(.620)	2,500
11	BM11B-GHS-TBT	SM11B-GHS-TB	12.50(.492)	17.00(.669)	2,500
12	BM12B-GHS-TBT	SM12B-GHS-TB	13.75(.541)	18.25(.719)	2,500
13	BM13B-GHS-TBT	SM13B-GHS-TB	15.00(.591)	19.50(.768)	2,500
14	BM14B-GHS-TBT	SM14B-GHS-TB	16.25(.640)	20.75(.817)	2,500
15	BM15B-GHS-TBT	SM15B-GHS-TB	17.50(.689)	22.00(.866)	2,500

Material and Finish

Contact: Phosphor bronze, copper-undercoated, tin-plated
Housing: PA9T, UL94V-0, natural
Solder tab: Brass, copper-undercoated, tin-plated

GH CONNECTOR

Taping specifications



Top entry type

Circuits	Dimensions mm(in.)			Reel dimensions mm(in.)	Q'ty / reel
	F	S	W		
2	7.5(.295)	—	16.0(.630)	17.5(.689)	2,500
3 to 9	11.5(.453)	—	24.0(.945)	25.5(1.004)	2,500
10 to 12	14.2(.559)	28.4(1.118)	32.0(1.260)	33.5(1.319)	2,500
13 to 15	20.2(.795)	40.4(1.591)	44.0(1.732)	45.5(1.791)	2,500

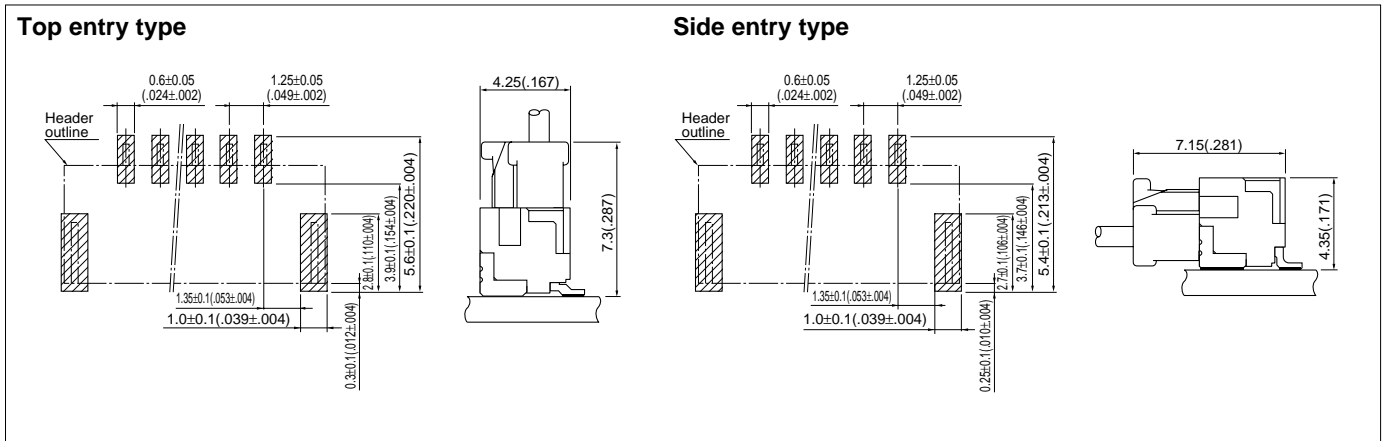
Side entry type

Circuits	Dimensions mm(in.)			Reel dimensions mm(in.)	Q'ty / reel
	F	S	W		
2 to 5	7.5(.295)	—	16.0(.630)	17.5(.689)	2,500
6 to 11	11.5(.453)	—	24.0(.945)	25.5(1.004)	2,500
12 to 15	14.2(.559)	28.4(1.118)	32.0(1.260)	33.5(1.319)	2,500

Note:

- Specifications conform to JIS C 0806. The tape width, connector loading recess square hole dimensions, etc. are determined by the number of circuits and external shape of the connector to be loaded.
- Specifications are subject to change without prior notice.

PC board layout (viewed from component side) and Assembly layout



Note:

1. Tolerances are non-cumulative: ±0.05mm (±.002") for all centers.
2. The dimensions above should serve as a guideline. Contact JST for details.

Applicator for the semi-automatic press AP-K2N

Contact	Crimp applicator MKS-L-10-3		Compact crimp applicator MKS-LS		Strip-crimp applicator MKS-SC
	with safety cover	without safety cover	with safety cover	without safety cover	with safety cover
SSHL-002T-P0.2	APLMK SSSL002-02	APLNC SSSL002-02	-	-	-

X-ON Electronics

Largest Supplier of Electrical and Electronic Components

Click to view similar products for JST manufacturer:

Other Similar products are found below :

[B02B-WPJSS-1 \(LF\)\(SN\)](#) [SGVHSF-002T-02](#) [IDH-KR-12](#) [10HR-4K](#) [WC-610M](#) [FNGS12-6](#) [TWE0.5-8](#) [YC-110R](#) [FVGS4-1 \(LF\)](#) [WC-800](#)
[WC-PUD2](#) [WC-SFH2](#) [S12B-J21DK-GGXR\(LF\)\(AU\)](#) [MKDP71002](#) [PSIP-06V-LE](#) [WC-SH2832](#) [WC-700M](#) [WC-121](#) [B3B-PH-SM4-](#)
[TB\(LF\)\(SN\)](#) [FVDDF5.5-375A \(LF\)](#) [FVWS2-M4 \(LF\)](#) [FVGS10-6 \(LF\)](#) [YHT-2622](#) [YC-670R](#) [YRS-243](#) [YRS-1090](#) [VLJ-20](#) [WC-0510DIN](#)
[WC-930](#) [WC-GVH2630](#) [S7B-ZR-3.4-\(LF\)\(SN\)](#) [S04B-XASS-1N-BN-\(LF\)\(SN\)](#) [YRS-852](#) [WC-691](#) [WC-1090](#) [IDB-12](#) [GTR1.5-8](#) [YRS-241](#)
[XAP-04V-1](#) [YRS-692](#) [YRS-480](#) [YRS-1091](#) [WC-JWPF](#) [S06B-ZESK-2D\(T\)\(LF\)\(SN\)](#) [WC1091](#) [WC-260P](#) [WC-530](#) [A03WS-MWT-N](#) [IDH-](#)
[NR-12](#) [LEBRP-01V-S](#)