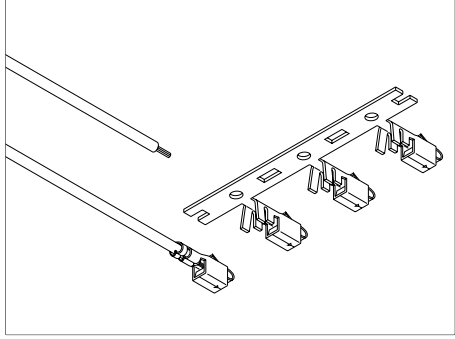


APPLICATION TOOLING

Crimping tools and machines

The arrow mark indicates the press that is applicable to the applicator.



Semi-automatic press
 Semi-automatic crimping machines (presses) contact a wire to a chain terminal each time a footswitch is pressed.

AP-K2N

- Dimensions: (WxLxH)280x480x505mm
- Weight: Approx. 90kg(198lb)
- Power source: 100V AC, Single-phase 50/60Hz
- Pressure output: 14.7kN(1,500kgf(3307lb))
- Dies: Applicator replacement

Strip-crimp applicator for side feeding terminals

MKS-SC

Crimping applicator for side-feeding terminals

MKS-L

Compact crimping applicator for side-feeding terminals

MKS-LS

Crimping applicator for end-feeding terminals

MK-L

Crimping applicator for end-feeding flag terminals

MKF-L

Note: Contact JST for wire range.

Terminals and parts model number in alphabetical order	for chain terminals			Hand tools				Insertion tool
	YRS series	YC series	YRM series	YRF series	YRK · YRK-EX series	WC & JUC series	JUC's Hand Tools	
SDF-01T-1.0A	-	YC-045	-	-	-	-	LDF-01T-1.0A	-
SDF-01T-1.3AS	-	YC-045	-	-	-	-	LDF-01T-1.3AS	-
SDN-21T-P1.5	-	YC-600R	-	-	-	-	BDN-21T-P1.5	-
SDY-01T-P1.6ASV	-	YC-525SR	-	-	-	-	BDY-01T-P1.6ASV	SLJ-1.4
SEH-001T-P0.6	-	YC-260R	-	-	-	WC-260	BEH-001T-P0.6	EJ-PH
SEH-001T-P0.6L	-	-	-	-	-	-	-	EJ-PH
SEH-002T-P0.6L	-	-	-	-	-	-	-	EJ-PH
SF1F-002(-)-P0.6	-	-	-	-	-	-	-	EJ-PH
SF1F-21(-)-P0.6	-	-	-	-	-	-	-	EJ-JFAJ1100
SF1M-002(-)-M0.6A	-	-	-	-	-	-	-	EJ-JFAJ1100
SF1F-21(-)-P0.6	-	-	-	-	-	-	-	EJ-JFAJ1100
SF3F-002(-)-P2.0	-	-	-	-	-	-	-	EJ-JFAJ3
SF3F-01(-)-P2.0	-	-	-	-	-	-	BF3F-01(-)-P2.0	EJ-JFAJ3
SF3M-01(-)-M2.0N	-	-	-	-	-	-	BF3M-01(-)-M2.0N	EJ-JFAJ3
SF3F-41(-)-P2.0	-	-	-	-	-	-	LF3F-41(-)-P2.0	EJ-JFAJ3
SF3M-41(-)-M2.0N	-	-	-	-	-	-	LF3M-41(-)-M2.0N	EJ-JFAJ3
SF3F-71(-)-P2.0	-	-	-	-	-	-	BF3F-71(-)-P2.0	EJ-JFAJ3
SF3M-71(-)-M2.0N	-	-	-	-	-	-	BF3M-71(-)-M2.0N	EJ-JFAJ3
SFO-61(T)-250A	-	YC-270	-	-	-	-	LFO-61(T)-250A	-
SFO-41(T)-187N(8)	-	YC-271	-	-	-	-	LFO-41(T)-187N	-
SFP-61T-250	-	YC-272	-	-	-	-	LFP-61(T)-250	-
SFT-61T-250N	-	YC-510	-	-	-	-	LFT-61T-250N	-
SGF-41(T)-4	-	YC-055	-	-	-	-	LGF-41(T)-4	-
SGF-51(T)-5	-	YC-065	-	-	-	-	LGF-51(T)-5	-
SGM-51T-5	-	YC-056	-	-	-	-	LGM-51T-5	-
SHCM-A03T-P025	-	YRS-960	-	-	-	WC-SHCM-A03	-	EJ-SMP
SHF-001T-0.8BS	-	YRS-122	-	-	-	WC-122	BHF-001T-0.8BS	EJ-SMP
SHF-002T-0.8BS	-	YRS-300	-	-	-	-	-	EJ-SMP
SHIF-01T-P0.5	-	YC-986R	-	-	-	-	-	EJ-HLRP
SHIF-21T-P0.5	-	YC-995R	-	-	-	-	-	EJ-HLRP
SHM-01T-P0.5	-	YC-986R	-	-	-	-	-	EJ-HLR
SHM-21T-P0.5	-	YC-995R	-	-	-	-	-	EJ-HLR
SHR-001T-P0.6	-	YC-580R	-	-	-	-	BHR-001T-P0.6	-
SIM-01(T)-110A	-	YC-054	-	-	-	-	LIM-01(T)-110A	-
SIM-1.0-250D/N	-	-	-	-	-	JUCS-IM	-	-
SIM-2.5-250D/N	-	-	-	-	-	JUCS-IM	-	-
SIM-41(T)-110B	-	YC-067	-	-	-	-	LIM-41(T)-110B	-
SIM-51(T)-250N	-	YC-321	-	-	-	-	LIM-51(T)-250N	-
SIN-001T-1.2	-	-	-	-	-	-	-	-
SIN-002T-1.0S	-	YRS-035	-	-	-	-	-	-
SIN-01T-1.2	-	YC-340R	-	-	-	-	LIN-01T-1.2	-
SIN-01T-1.8	-	YC-022	-	-	-	-	LIN-01T-1.8	-
SIN-01T-1.8N	-	YC-022	-	-	-	-	LIN-01T-1.8N	-
SIN-21T-1.8	-	YC-350	-	-	-	-	LIN-21T-1.8	-
SIN-21T-1.8S	-	YC-570	-	-	-	-	LIN-21T-1.8S	-
SIN-61T-2.6S	-	YC-560	-	-	-	-	LIN-61T-2.6S	-
SIN-81T-3.6S	-	YC-940	-	-	-	-	LIN-81T-3.6S	-

Note: Contact JST for wire range.

Terminals and parts model number in alphabetical order	for chain terminals			Hand tools					
	YRS series	YC series	YRM series	YRF series	YRK · YRK-EX series	WC & JUC series JUK's Hand Tools	Terminal in loose form model No.	Extraction tool	Insertion tool
S12F-002GF-P1.0	YRS-8851	-	-	-	YRK-8851	-	-	EJ-JFA2N	-
S12M-002GF-M1.0N	YRS-8851	-	-	-	YRK-8851	-	-	EJ-JFA2N	-
S12F-01GF-P1.0	YRS-8861	-	-	-	YRK-8861	-	-	EJ-JFA2N	-
S12M-01GF-M1.0N	YRS-8861	-	-	-	YRK-8861	-	-	EJ-JFA2N	-
S12F-21GF-P1.0	-	-	-	-	YRF-1120	-	-	EJ-JFA2N	-
S12M-21GF-M1.0N	-	-	-	-	YRF-1120	-	-	EJ-JFA2N	-
S14F-71GF-M3.0	-	-	-	-	YRF-1130	-	-	EJ-JFAJ4	-
S14F-81GF-M3.0	-	-	-	-	YRF-1370	-	-	EJ-JFAJ4	-
S15F-71GF-M6.5	-	-	-	-	YRF-888	-	-	EJ-JFAJ5	-
S15M-71GF-M6.5	-	-	-	-	YRF-888	-	-	EJ-JFAJ5	-
S15F-81GF-M6.5	-	-	-	-	YRF-889	-	-	EJ-JFAJ5	-
S15M-81GF-M6.5	-	-	-	-	YRF-889	-	-	EJ-JFAJ5	-
S15F-91GF-M6.5	-	-	-	-	-	-	-	EJ-JFAJ5	-
S15M-91GF-M6.5	-	-	-	-	-	-	-	EJ-JFAJ5	-
S12F-21T-2.0	YC-310	-	-	-	-	WC-310	-	EJ-LC	-
S12M-21T-2.0	-	-	-	-	-	-	-	EJ-LC	-
S12F-001T-P2.0	-	-	-	-	-	-	-	EJ-LCL	-
S12M-001T-P2.0	-	-	-	-	-	-	-	EJ-LCL	-
S12F-02T-P2.0	-	-	-	-	-	-	-	EJ-LCL	-
SLF/M-01T-P1.3E	YC-202	YRM-201	-	-	-	WC-202	LEJ-13	LLF/M-01T-P1.3E	LEJ-13
S1F/M-41T-P1.3E	YC-203	-	-	-	-	WC-203	LEJ-13	LLF/M-41T-P1.3E	LEJ-13
S1F/M-41T-P1.3E	YC-081	-	-	-	-	-	LMF-01T-1.0	LMF-01T-1.0	-
S1F-01T-1.3	YC-082	-	-	-	-	-	LMF-01T-1.3	LMF-01T-1.3	-
S1M-003T-P0.5	YRS-800	-	-	-	-	WC-800	-	BMR-001T-0.6	-
S1M-001T-0.6	YC-580R	-	-	-	-	-	-	LOM-21(T)-187	-
SOM-21(T)-187	YC-680	-	-	-	-	-	-	LOM-51(T)-250	-
SOM-51(T)-250	YC-066	-	-	-	-	WC-066	-	-	-
SOTZP-002GD-P0.18	-	-	-	-	-	-	-	-	-
SPA-001T-P0.5	YC-610R	YC-610R	YC-610R	-	-	-	-	BPA-001T-P0.5	-
SPAL-001T-P0.5	-	YC-611R	YC-610R	-	-	-	-	BPAL-001T-P0.5	-
SPAL-002T-P0.5	YRS-1340	-	-	-	-	-	-	EJ-PAL	-
SPB-1.0-250N-S	-	-	-	-	-	JUCS-PB	-	-	-
SPB-2.5-250N-S	-	-	-	-	-	JUCS-PB	-	-	-
SPF-01T-2.5C	-	YC-043R	-	-	-	-	LPF-01T-2.5C	-	-
SPH-001T-P0.5L	YRS-245	-	-	-	-	-	-	EJ-PH	-
SPH-002T-P0.5L	YRS-241	-	-	-	-	-	-	EJ-PH	-
SPH-002T-P0.5S	YRS-240	YRM-240	-	-	-	WC-240	BPH-002T-P0.5S	EJ-PH	-
SPH-004T-P0.5S	YRS-243	-	-	-	-	-	-	EJ-PH	-
SPHD-001T-P0.5	YC-610R	YC-611R	-	-	-	WC-610	BPHD-001T-P0.5	EJ-PHD-RB	-
SPHD-002T-P0.5	YRS-620	YRM-620	YRM-620	-	-	WC-620	BPHD-002T-P0.5	EJ-PHD-RB	-
SPPL-002T-P0.5	YRS-1410	-	-	-	-	-	-	-	-
SPND-001T-C0.5	YRS-1091	-	-	-	-	-	-	EJ-PND	-
SPND-002T-C0.5	YRS-1090	-	-	-	-	-	-	EJ-PND	-

Terminals and parts model number in alphabetical order	for chain terminals			Hand tools					Insertion tool
	YRS series	YC series	YRM series	YRF series	YRK · YRK-EX series	JUC's Hand Tools	WC & JUC series	Terminal in loose form model No.	
SPS-01T-110	-	YC-740	-	-	-	WC-740	-	LPS-01T-110	-
SPS-01T-187(-8)	-	YC-731	-	-	-	WC-730	-	LPS-01T-187(-8)	EJ-PS187
SPS-21T-250(-5)	-	YC-760	-	-	-	-	-	LPS-21T-205(-5)	-
SPS-21T-250	-	YC-780	-	-	-	WC-780	-	LPS-21T-250	EJ-PS250
SPS-21T-250S	-	YC-780	-	-	-	WC-780	-	LPS-21T-250S	EJ-PS250
SPS-41T-110	-	YC-751	-	-	-	WC-750	-	LPS-41T-110	-
SPS-51T-205(-8)	-	YC-710	-	-	-	WC-710	-	LPS-51T-187(-8)	EJ-PS187
SPS-51T-205	-	YC-771	-	-	-	-	-	LPS-51T-205	-
SPS-61T-250	-	YC-720	-	-	-	WC-720	-	LPS-61T-250	EJ-PS250
SPS-61T-250S	-	YC-721	-	-	-	-	-	LPS-61T-250S	EJ-PS250
SPS-91T-250	-	-	-	-	-	-	-	BPS-91T-250	EJ-PS250
SPUD-001T-P0.5	-	YRS-1320	-	-	-	-	-	-	EJ-PUD
SPUD-002T-P0.5	-	-	-	-	-	-	-	-	EJ-PUD
SPXA-001T-P0.6	-	-	-	-	-	-	-	-	EJ-PXA
SRA-20(T)-*	-	YC-181	-	-	-	-	-	LRA-20(T)-*	-
SRA-21(T)-*	-	YC-141	-	-	-	-	-	LRA-21(T)-*	-
SRA-50(T)-*	-	YC-182	-	-	-	-	-	LRA-50(T)-*	-
SRA-51(T)-*	-	YC-142	-	-	-	-	-	LRA-51(T)-*	-
SRB-1.0(-)	-	-	-	-	-	-	-	-	-
SRB-2.5(-)	-	-	-	-	-	-	-	-	-
SRB-51(T)-*	-	YC-142	-	-	-	-	-	LRB-51(T)-*	-
SRC-01(T)-*	-	YC-033	-	-	-	-	-	LRC-01(T)-*	-
SRC-50(T)-*	-	YC-183	-	-	-	-	-	LRC-50(T)-*	-
SRC-51(T)-*	-	YC-142	-	-	-	-	-	LRC-51(T)-*	-
SRT-1.0(-)	-	-	-	-	-	-	-	-	-
SRT-2.5(-)	-	-	-	-	-	-	-	-	-
SRT-51T-*	-	YC-143R	-	-	-	-	-	LRT-51T-*	-
SRWF-01GG-M0.6	-	-	-	-	-	-	-	-	EJ-RPZ
SRWF-01GG-S0.6	-	-	-	-	-	-	-	-	EJ-RPZ
SRWF-21GG-M0.6	-	-	-	-	-	-	-	-	EJ-RPZ
SRWF-21GG-S0.6	-	-	-	-	-	-	-	-	EJ-RPZ
SRWF-61GG-M0.6	-	YC-840R	-	-	-	-	-	-	EJ-RPZ
SRWF-61GG-S0.6	-	YC-840R	-	-	-	-	-	-	EJ-RPZ
SRWF-002T-P0.5	-	-	-	-	-	-	-	-	EJ-SFH
SSH-003T-P0.2-H	-	YRS-859	-	-	-	-	-	-	-
SSH-003GA-P0.2	-	YRS-859	-	-	-	-	-	-	-
SSH-002T-P0.2	-	YRS-1140	-	-	-	-	-	-	-
SSH-003T-P0.2	-	YRS-859	-	-	-	-	-	-	-
SSH-003GA1-P0.2	-	YRS-859	-	-	-	-	-	-	-
SSFH-001T-P0.5	-	-	-	-	-	-	-	-	EJ-SFH
SSFH-002T-P0.5	-	-	-	-	-	-	-	-	EJ-SFH
SRWF-61GG-M0.6	-	YC-840R	-	-	-	-	-	-	EJ-RPZ
SRWF-61GG-S0.6	-	YC-840R	-	-	-	-	-	-	EJ-RPZ
BSFM-01T-P1.4	-	-	-	-	-	-	-	-	BSFM-01T-P1.4
BSFM-21T-P1.4	-	-	-	-	-	WC-550	-	BSFM-21T-P1.4	SLJ-1.4
SSFM-01T-P1.4	-	YC-500	-	-	-	-	-	-	SLJ-1.4
SSFM-21T-P1.4	-	YC-550	-	-	-	-	-	-	SLJ-1.4
STI-01(T)-110N	-	-	-	-	-	-	-	-	-

Note: Contact JST for wire range.

Terminals and parts model number in alphabetical order	for chain terminals			Hand tools				Insertion tool
	YRS series	YC series	YRM series	YRF series	YRK · YRK-EX series	WC & JUC series JUK's Hand Tools	Terminal in loose form model No.	
SXAM-01T-P0.6	YRS-701	YC-701R	-	-	-	WC-700M	BXAM-01T-P0.6	EJ-XAW
SXAM-001T-P0.6	YRS-692R	YC-692R	-	-	-	-	BXAM-001T-P0.6	EJ-XAW
SXF-01T-P0.7	-	YC-251	-	-	-	-	BXF-01T-(P)0.7	LEJ-7
SXF-41T-P0.7	-	YC-252	-	-	-	-	BXF-41T-(P)0.7	LEJ-7
SXH-001T-P0.6N	-	-	-	-	-	-	-	XJ-06
SXH-002T-P0.6	YRS-480	-	-	-	-	-	-	XJ-06
SXM-01T-P0.6	YRS-701	YC-701R	-	-	-	-	BXM-01T-P0.6	EJ-XAG,EJ-XMP
SXM-001T-P0.6	YRS-692R	YC-692R	-	-	-	-	BXM-001T-P0.6	EJ-XMP, EJ-XMR
SXNI-001T-P0.6	YRS-1380	-	-	-	-	-	-	-
SXNI-003T-P0.6	YRS-1390	-	-	-	-	-	-	-
SXF-001T-P0.6	YRS-125	-	-	-	-	-	-	-
SVF/M-01T-P0.5A	-	YC-520	-	-	-	WC-520	BYF/M-01T-P0.5A	YJLJ-0.5
SVF/M-41T-P0.5A	-	YC-530	-	-	-	WC-530	BYF/M-41T-P0.5A	YJLJ-0.5
SVF-61T-P0.5A	-	-	-	YRF-536	-	-	-	-
SYM-001T-P0.6	YRS-121	YC-121R	-	-	-	WC-121	BYM-001T-P0.6	SMJ-06
SYM-01T-P0.7	-	YC-251	-	-	-	-	BYM-01T-(P)0.7	LEJ-7
SYM-41T-P0.7	-	YC-252	-	-	-	-	BYM-41T-(P)0.7	LEJ-7
SZE-002T-P0.3	YRS-1300	-	-	-	-	-	-	-
SZE-003T-P0.3	YRS-1330	-	-	-	-	-	-	-
SZF/M-01T-P0.7	-	YC-390R	-	-	-	-	BZF/M-01T-(P)0.7	ZLJ-07S
SZF/M-41T-P0.7	-	YC-380R	-	-	-	-	BZF/M-41T-(P)0.7	ZLJ-07S
SZH-002T-P0.5	YRS-491	-	-	-	-	WC-491	-	-
SZH-003T-P0.5	YRS-490	-	-	-	-	WC-490	-	-
SZN-002T-P0.7K	YRS-541	-	-	-	-	-	-	-
SZN-003T-P0.7K	YRS-540	-	-	-	-	-	-	-
SZPD-002T-P0.3	YRS-1460	-	-	-	-	-	-	-

Note: Contact JST for wire range.

YRK series hand crimping tools suitable for mass-production

- Crimping work, such as setting contacts to hand tools etc., is facilitated by using a strip contact to improve the productivity.
- A light operation enables to terminate the contact correctly, by adopting straight-ahead crimping.
- A structure, that the carrier of contact doesn't fly off, has been adopted to this tool.



Dimensions: 75(W)×314(L)×25(D)mm
Weight: Approx. 800g (When assembling dies)

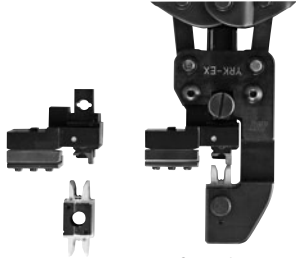
- When exchanging the crimping suitable for the wire specification can be conducted.
- Anvil is fixed to tool.

Dies replacement type hand crimping tools

YRK-EX

- High reliability of crimping is provided by choosing the crimping and anvil suitable for the wire specification.
- The crimping die can be easily exchanged by only insertion and extraction of pin.
- Common handle and crimping dies can be stored in One case and it is easy to carry.

Patent pending



Dimensions: 75(W)×314(L)×25(D)mm
Weight: Approx. 800g (When assembling dies)



Dimensions: 376(W)×295(L)×73(D)mm

Contact and Applicable dies

Series	Nominal	Contact Model No.		Hand crimp tools	Model No. of crimping	Marking	Applicable wire size		
		Tab	Receptacle				AWG	Insulation O.D. (mm)	
J1000 Type II	L	SF1-21(*)-P0.6	SF1M-21(*)-M0.6A	YRK-1210	—	LA / LB	LA #22	1.58	
						LC / LD	LC #20	1.76	
						LB	KV0.75	1.90	
						LA / LB	LA #22	1.58	
J1000 Type II	S	SJ2F-002GF-P1.0	SJ2M-002GF-M1.0N	YRK-8851	—	SA / SB	SA #28	1.20	
						MA / MB	MA #24	1.43	
						LA / LB	LA #22	1.58	
						SA	SA #28	1.20	
J2000	M	SJ2F-01GF-P1.0	SJ2M-01GF-M1.0N	YRK-8861	—	MA / MB	MA #24	1.43	
						LA / LB	LA #22	1.58	
						MB	#20	1.53 ²	
						SA	SA #28	1.20	
J2000	L	SJ2F-21GF-P1.0	SJ2M-21GF-M1.0N	YRK-1120	—	LA / LB	LA #22	1.58	
						LB	#20	1.76	
						SA	SA #28	1.20	
						SA / SB	SA #28	1.20	
J300	S	SF3F-002(*)-P2.0	—	YRK-8821	—	SA / SB	SA #28	1.20	
						SC / SD	SC #26	1.30	
						MA / MB	MA #24	1.43	
						MC / MD	MC #22	1.58	
	M	SF3F-01(*)-P2.0	SF3M-01(*)-M2.0N	YRK-8811	—	—	MA / MB	MA #24	1.43
							LA / LB	LA #20	1.76
							MC / MD	MC #22	1.58
							MD	#20	2.56
	L	SF3F-41(*)-P2.0	SF3M-41(*)-M2.0N	YRK-8801	—	—	LA / LB	LA #20	1.76
							LB	#16	2.35
							LC / LD	LC #18	2.03
							2LA / 2LB	2LA #16	3.10
2L	SF3F-71(*)-P2.0	SF3M-71(*)-M2.0N	YRK-1071	—	—	2LB	#14	3.30	
						2LA	#16	3.10	
						2LB	#14	3.30	
						2LA	#16	3.10	

Note: 1. J1000 Finish(*): T..... Tin-plated
GC..... Gold-plated
2. J300 Finish(*): GF..... Nickel-undercoated, 0.38μm selective gold-plated
GI..... Nickel-undercoated, 0.76μm selective gold-plated
3. The wear of parts is caused by using hand tool repeatedly. Measure the crimping height daily and conduct periodical inspection of the wearing parts, such as ratchet, pin and so on.

Series	Nominal	Contact Model No.		Hand crimp tools	Model No. of crimping	Marking	Applicable wire size		
		Tab	Receptacle				AWG	Insulation O.D. (mm)	
J1000 Type II	L	SF1-21(*)-P0.6	SF1M-21(*)-M0.6A	J1LL	—	J1LA / B	A #20	1.76	
						J1LC / D	C #22	1.58	
						J1LB	B #18	2.03	
						J1LA / B	A #20	1.76	
J2000	S	SJ2F-002GF-P1.0	SJ2M-002GF-M1.0N	J2SL	—	J2SA / B	A #28	1.20	
						J2MA / B	A #24	1.43	
						J2LA / B	B #20	1.53 ²	
						J2SA	SA #28	1.20	
J2000	M	SJ2F-01GF-P1.0	SJ2M-01GF-M1.0N	J2ML	—	J2MA / B	A #24	1.43	
						J2LA / B	B #20	1.58	
						J2LA	A #22	1.58	
						J2LA / B	A #22	1.58	
J300	S	SF3F-002(*)-P2.0	—	J3SL	—	J3SA / B	A #28	1.20	
						J3SC / D	C #26	1.30	
						J3MA / B	A #24	1.43	
						J3MC / D	C #22	1.58	
	M	SF3F-01(*)-P2.0	SF3M-01(*)-M2.0N	J3ML	—	—	J3MA / B	A #24	1.43
							J3LA / B	A #20	1.76
							J3MC / D	C #22	1.58
							J3MD	#20	2.56
	L	SF3F-41(*)-P2.0	SF3M-41(*)-M2.0N	J3LL	—	—	J3LA / B	A #20	1.76
							J3LB	#16	2.35
							J3LC / D	C #18	2.03
							J3LA / B	A #20	1.76
2L	SF3F-71(*)-P2.0	SF3M-71(*)-M2.0N	J32LL	—	—	J32LA / B	A #24	1.43	
						J32LA / B	A #24	1.43	
						J32LA / B	A #24	1.43	
						J32LA / B	A #24	1.43	

Note: 1. J1000 Finish(*): T..... Tin-plated
GC..... Gold-plated
2. J300 Finish(*): GF..... Nickel-undercoated, 0.38μm selective gold-plated
GI..... Nickel-undercoated, 0.76μm selective gold-plated
3. The wear of parts is caused by using hand tool repeatedly. Measure the crimping height daily and conduct periodical inspection of the wearing parts, such as ratchet, pin and so on.

1. Crimper is either the pair of A and B or the pair of C and D.
2. When using wire UL 2517.

X-ON Electronics

Largest Supplier of Electrical and Electronic Components

Click to view similar products for [jst manufacturer](#):

Other Similar products are found below :

[B02B-JWPF-SK-R](#) [B3B-ZR](#) [B4B-ZR](#) [B5B-XH-A](#) [B5B-ZR](#) [B5PS-VH](#) [B6B-ZR-SM4-TF](#) [B6P-VH](#) [B7B-XH-A](#) [B8B-XH-A](#) [B8B-ZR](#) [B8P-VH](#) [BM02B-SRSS-TB](#) [BM06B-SRSS-TB](#) [BM10B-SRSS-TB](#) [B04P-NV](#) [B2B-PH-K-S](#) [B2B-PH-SM4-TB](#) [B2B-ZR-SM4-TF](#) [B34B-PHDSS-B\(LF\)\(SN\)](#) [B3B-ZR-SM4-TF](#) [B5B-ZR-SM4-TF](#) [B6B-XH-A](#) [B6PS-VH](#) [B7B-ZR-SM4-TF](#) [B7PS-VH](#) [B8B-ZR-SM4-TF](#) [B8PS-VH](#) [BM04B-SRSS-TB](#) [BM05B-SRSS-TB](#) [IDH-KR-12](#) [WC-ZE2426](#) [WC-691](#) [B6PS-VH\(LF\)\(SN\)](#) [FNGS12-6](#) [TWE0.5-8](#) [WC-GVH2630](#) [WC-PUD2](#) [S10B-PH-SM4-TB\(LF\)\(SN\)](#) [B2B-EH-A-TW \(LF\)\(SN\)](#) [B4B-EH-A-TW \(LF\)\(SN\)](#) [B4B-XH-TW \(LF\)\(SN\)](#) [B6B-EH-A-TW \(LF\)\(SN\)](#) [B6P-VH-TW \(LF\)\(SN\)](#) [B8B-XH-TW \(LF\)\(SN\)](#) [B9B-XH-A](#) [BM02B-GHS-TBT](#) [BM03B-GHS-TBT](#) [BM04B-GHS-TBT](#) [BM06B-GHS-TBT](#)