

FEATURES

High performance, z-axis digital output accelerometer
 $\pm 14.2\text{ g}$ full-scale range at 16-bit resolution (0.434 mg/LSB)
2 kHz output sample rate with optional data FIFOs
Programmable filter response
20 Hz, 46 Hz, 92 Hz, 184 Hz
Continuous electromechanical self test
Additional key-on and on demand self test routines
Z-axis offset adjust
Low quiescent current draw
High linearity performance
Qualified for automotive applications
 -40°C to $+105^{\circ}\text{C}$ temperature range

APPLICATIONS

Vehicle rollover detection
Platform stabilization/leveling

GENERAL DESCRIPTION

The ADXL701 device is a high precision, single z-axis accelerometer designed for vehicle rollover detection and other high performance applications. The ADXL701 provides offset stability to better than $\pm 500\text{ mg}$ and sensitivity stability to better than 5% across the entire temperature range. The ADXL701 is designed with selectable -3 dB filter corner frequencies to satisfy a range of applications, and the 2 kHz output data rate allows sufficient oversampling of the acceleration information.

The acceleration data output from the device is a true 16-bit word and is contained in a 32-bit SPI transaction. The SPI interface contains additional fault detection bits and data formatting bits designed to assist high reliability applications. SPI communications are compatible up to 8 MHz. The 16-bit acceleration data-word offers a resolution of 0.434 mg/LSB for the $\pm 14.2\text{ g}$ full-scale range of the device.

The ADXL701 is available in an SOIC package with an inverted paddle for improved EMI/RFI robustness. The ADXL701 operates at nominal power supplies of 3.3 V and 5 V, and is specified to operate across the full automotive temperature range of -40°C to $+105^{\circ}\text{C}$.

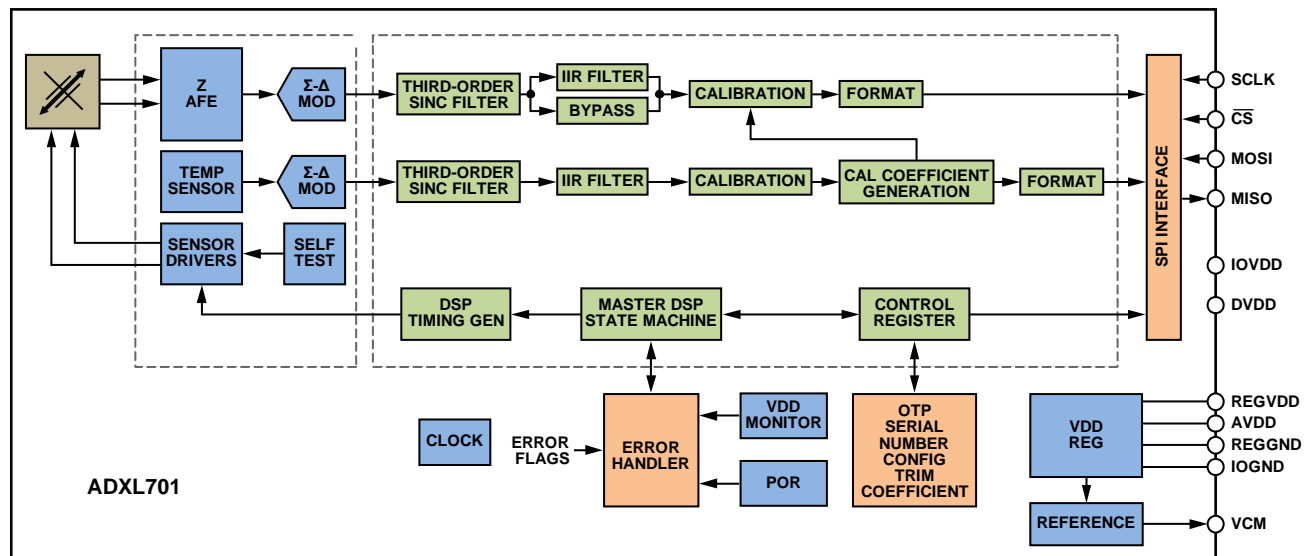
FUNCTIONAL BLOCK DIAGRAM


Figure 1.

For more information about the ADXL701, please contact the Analog Devices, Inc., *Customer Interaction Center* at http://www.analog.com/en/content/technical_support_page/fca.html to connect with a technical support specialist.

NOTES

X-ON Electronics

Largest Supplier of Electrical and Electronic Components

Click to view similar products for [Accelerometers](#) category:

Click to view products by [Analog Devices](#) manufacturer:

Other Similar products are found below :

[SX8452QR1](#) [LIS3L02AL](#) [SHUTTLE BOARD](#) [BMA222E](#) [832-0050](#) [AD22372Z-RL7](#) [ADXL313WACPZ-RL](#) [MMA1200KEG](#) [1-1001220-0](#)
[MMA6331LT](#) [FXLN8362QR1](#) [LIS331HHTR](#) [MMA8452QR1](#) [MMA6331LR1](#) [MMA1220KEG](#) [SCA830-D05-1](#) [MXR9150MZ](#)
[D3965MMA7660FC](#) [BMA423](#) [BMA456](#) [MMA8653FCR1](#) [805M1-0200](#) [ADXL1002BCPZ](#) [834M1-2000](#) [3038-0050](#) [AD22301](#) [805-0500](#)
[ADXL189BWBRDZUP-RL](#) [3038-0100](#) [ADXL356CEZ](#) [4030-002-120](#) [805M1-0200-01](#) [MXP7205VW](#) [ADXL1001BCPZ](#) [ADXL354BEZ](#)
[805-0500-01](#) [ADXL357BEZ](#) [3038-0500](#) [MXA2500EL](#) [BU-23842-000](#) [KX126-1063](#) [810M1-0100X](#) [805-0050](#) [ADXL356BEZ](#) [832M1-0025](#)
[832M1-0500](#) [8101-0040X-120](#) [810M1-0025X](#) [805M1-0020](#) [ADXL700WBRWZ-RL](#) [834M1-6000](#)