

INLINE™ LANDSCAPE, TYPE 4 AND 12

INDUSTRY STANDARDS
Solid Door Enclosures:

 UL 508A Listed; Type 3, 4, 12; File No. E61997
 cUL Listed per CSA C22.2 No. 94; Type 3, 4, 12; File No. E61997

 NEMA/EEMAC Type 3, 4, 12
 CSA File Number 42186: Type 4, 12
 IEC 60529, IP66

Window Door Enclosures:

UL 508A Listed; Type 3, 4, 12; File No. E61997

 NEMA/EEMAC Type 12
 CSA File Number 42186: Type 3, 4, 12
 IEC 60529, IP66

APPLICATION

When applications require mounting electrical components the full width of an enclosure, the landscape orientation of this aesthetic INLINE™ Enclosure makes it possible. Full-width mounting brackets can be drilled anywhere along their length, providing maximum mounting flexibility.

SPECIFICATIONS

- Metric dimensions
- 16 gauge steel
- Seams continuously welded and ground smooth
- External formed body flange
- Large body opening
- External wall-mounting brackets
- Seamless foam-in-place gasket
- Bonding provision on door
- Grounding stud on body
- Includes panel mounting screws and grounding hardware
- Hinged door with removable hinge pins
- Self-grounding quarter-turn latches
- Door opens 180 degrees
- Window door models include flush-mounted 3/16-in. (4.8-mm) clear polycarbonate window

FINISH

Textured light-gray RAL 7035 polyester powder coating inside and out

ACCESSORIES

See also *Accessories*.

DIN Rail or Panel-Mounting Brackets
 DIN3 Rails
 Grounding Kit
 Lock Inserts
 Mounting-Bracket Kit
 Panels for Junction Boxes
 Wing Knob Latch

MODIFICATION AND CUSTOMIZATION

Hoffman excels at modifying and customizing products to your specifications. Contact your local Hoffman sales office or distributor for complete information.

BULLETIN: A54

 Standard Product **Hinged Solid Door**

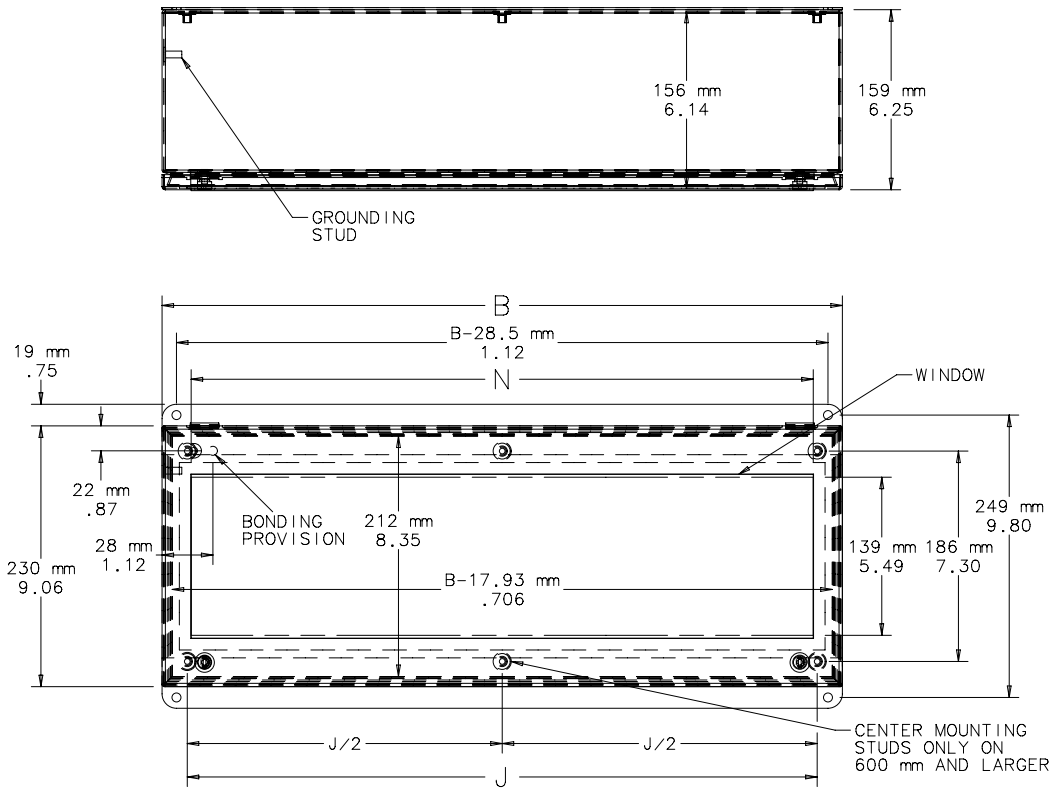
Catalog Number	AxBxC in./mm	Mounting Studs J mm/in.	Clear Space Above Panel mm/in.
LHC233116	9.06 x 12.20 x 6.10 230 x 310 x 155	265 10.45	140 5.51
LHC234616	9.06 x 18.11 x 6.10 230 x 460 x 155	416 16.36	140 5.51
LHC236016	9.06 x 23.62 x 6.10 230 x 600 x 155	556 21.88	140 5.51
LHC237716	9.06 x 30.32 x 6.10 230 x 770 x 155	726 28.57	140 5.51
LHC239316	9.06 x 36.42 x 6.10 230 x 925 x 155	881 34.67	140 5.51

Enclosures are hinged on "B" side.

Purchase panels separately.

Standard Product **Hinged Window Door**

Catalog Number	AxBxC in./mm	Window Size N mm/in.	Mounting Studs J mm/in.	Clear Space Above Panel mm/in.
LWC233116	9.06 x 12.00 x 6.10	259	265	140
	230 x 310 x 155	10.20	10.45	5.51
LWC234616	9.06 x 18.11 x 6.10	409	416	140
	230 x 460 x 155	16.11	16.36	5.51
LWC236016	9.06 x 23.62 x 6.10	549	556	140
	230 x 600 x 155	21.62	21.88	5.51
LWC237716	9.06 x 30.32 x 6.10	719	726	140
	230 x 770 x 155	28.31	28.57	5.51
LWC239316	9.06 x 36.42 x 6.10	874	881	140
	230 x 925 x 155	34.42	34.67	5.51



87565822

OPTIONAL COMPONENTS SELECTION TABLE

This table shows which optional components will fit the various sizes of **INLINE™ Landscape, Type 4 and 12**.

BULLETIN: A54

Catalog Number	AxBxC in./mm	Window Door Enclosure	Panel	Conductive Panel	DIN Rail or Panel Mounting Bracket
LHC233116	9.06 x 12.20 x 6.10	LWC233116	LP2331	LP2331G	LMK23
	230 x 310 x 155				
LHC234616	9.06 x 18.11 x 6.10	LWC234616	LP2346	LP2346G	LMK23
	230 x 460 x 155				
LHC236016	9.06 x 23.62 x 6.10	LWC236016	LP2360	LP2360G	LMK23
	230 x 600 x 155				
LHC237716	9.06 x 30.32 x 6.10	LWC237716	LP2377	LP2377G	LMK23
	230 x 770 x 155				
LHC239316	9.06 x 36.42 x 6.10	LWC239316	LP2393	LP2393G	LMK23
	230 x 925 x 155				

The catalog numbers in the first column are solid door enclosures.

600-mm and wider enclosures require two sets of brackets for mounting panels.

X-ON Electronics

Largest Supplier of Electrical and Electronic Components

Click to view similar products for [hoffman manufacturer](#):

Other Similar products are found below :

[A-1412CHQR](#) [CSD201610](#) [CSD20168SS](#) [CSD20206](#) [CSD20208SS](#) [CSD24168](#) [CSD36248](#) [CSD36308](#) [PCU7](#) [PT126](#) [A1008CHNFSS](#)
[A10106CH](#) [A10106CHFL](#) [A10106PHCW](#) [A1066JFGQRR](#) [A1210CHNF](#) [A1212SC](#) [A1412CHNFSS](#) [A161208LP](#) [A161410CH](#) [A16H12ALP](#)
[A16P14](#) [A16P16G](#) [A18P16AL](#) [A20H16BLP](#) [A20P16](#) [A24H2408SSLP](#) [Q13138PCE](#) [A404CH](#) [A606CHNF](#) [A606NF](#) [A806SC](#) [A845JFGR](#)
[A864CHQRFGW](#) [A90P36F1](#) [HJ1412HWPL2LG](#) [HJ1816HWPL2LG](#) [RHJ1210HWPL2LG](#) [AS125SS](#) [ASE10X10X4](#) [ASE12X12X4](#) [E1PBG](#)
[E2PBG](#) [E3PB](#) [LED24V15](#) [LF230VD](#) [A10106PHC](#) [A10P8SS](#) [A1210CHEMC](#) [A1210CHFL](#)