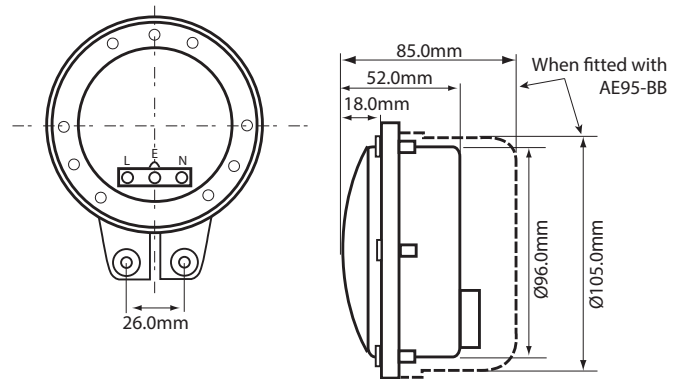


# Acoustic Signals - Industrial

## ELECTRICAL/MECHANICAL BUZZERS



## Acoustic Signals Industrial Buzzers > AE95 Series

### Product overview

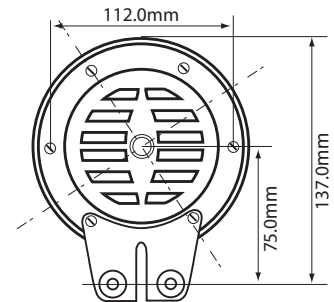
The AE95 are electrical/mechanical buzzers suitable for a wide range of signalling applications where a low frequency and penetrating sound is required.

Typical applications would be for industrial (stop/start & time signalling etc) & automotive applications (reversing alarm/forklift truck etc)

The units offer a single stage alarm, once energised an electromagnet causes the diaphragm to vibrate creating a unique acoustic tone.

They can also be pulsed via a remote source (ie control panel/plc etc) to give an intermittent signal if required.

This version of the AE95 comes complete with a weatherproof back box that allows for termination inside the enclosure. A weatherproof cable gland is supplied as standard.



### Features

- Rugged construction
- Wide voltage range
- These units are rated 15 mins On max / 1 min Off minimum
- Suitable for 2 point automotive fix and Weatherproof when fitted with AE95-BB back box
- Dustproof

### Material

Powder Coated Mild Steel

## AE95 Series > Ordering Information

Code No:	Voltage:	Frequency:	Current:
AE95-07	24/48v Ac/Dc~	420 Hz	0.8 A
AE95-08	115/230v Ac/Dc~	420 Hz	0.4/0.2 A

**Kg** 0.68

50/60 **Hz**

°C -30+60

**IP** 65

**dB** 111

ON 15 MINS  
OFF 1 MINS

APPROVALS and  
CONFORMITIES



## X-ON Electronics

Largest Supplier of Electrical and Electronic Components

*Click to view similar products for [moflash signalling manufacturer](#):*

Other Similar products are found below :

[FF200-87](#) [AP360M](#) [LED100-01-01](#) [LED100-01-02](#) [LEDA100-01-04](#) [LEDD100-01-02](#) [LEDD100-01-04](#) [LEDD100-02-01](#) [LEDD100-02-02](#)  
[LEDS100-02-04](#) [LEDS100-05-04](#) [FF400-87](#) [LED80-04-04](#) [LEDA100-02-04](#) [AE20M-115FA](#) [AE30M-FT-01](#) [A8BM-24DC](#) [LEDD100-02-04](#)  
[LEDS100-02-02](#) [50067](#) [LED80-04-03](#) [LEDD100-05-04](#) [LEDS100-01-04](#) [X195-02WH-01](#) [LEDA100-03-01](#) [RA200-25](#) [AE36M-02](#)  
[LED80-04-02](#) [LEDA100-02-01](#) [FF201-85](#) [X195-02WH-02](#) [A6BM-24DC](#) [LED100-02-04](#) [LED100-05-02](#) [LED100-05-04](#) [LEDA100-01-02](#)  
[LEDD100-05-01](#) [LED80-02-04](#) [LEDD100-05-02](#) [X401-18](#) [LEDS100-02-01](#) [X80-04-01](#) [LED80-02-03](#) [50018](#) [LEDA100-05-02](#)  
[LED100-02-01](#) [LED100-05-01](#) [LEDA100-02-02](#) [LEDS100-05-01](#) [50088FA](#)