

### 3-Pin Threaded M8/Pico-Style Splitter Cordset—Flat Junction

Cable: PVC jacket, PUR (polyurethane) connector body, nickel-plated brass (female) and nylon/nickel-plated brass (male) coupling nuts

Conductors: 24 AWG, gold-plated contacts



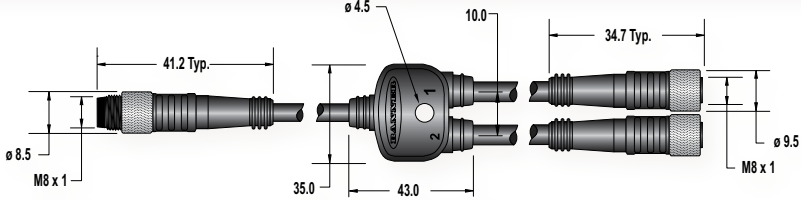
Voltage/Current Rating: 125V ac/dc, 4.0 A

Temperature: -40° to +105° C

Environmental Rating:

Wiring: Parallel wired Y-cords

#### Connections

Model	Branches	Trunk	Cable Diameter	Pinout	Used With
CSB-M831M831	3-Pin Pico QD 2 x 0.20 m Female	0.20 m Male	4.40 mm	<b>Female</b>  <b>Male</b>  1 = Brown 3 = Blue 4 = Black	<ul style="list-style-type: none"> <li>Connect P4 to two lights</li> <li>Spot Lights</li> <li>Area Lights</li> <li>Backlights</li> </ul>
Dimensions (mm)					
					

### 3-Pin M8/Pico-Style and 4-Pin M12/Euro-Style to Flying Leads Splitter Cordset—Flat Junction

Cable: PVC jacket, PUR (polyurethane) connector body, nickel-plated brass coupling nut

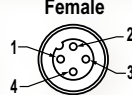
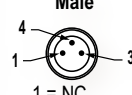
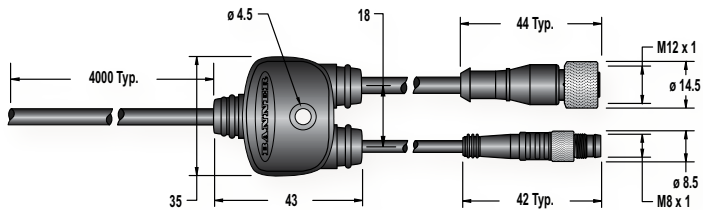
Conductors: 24 AWG (3-pin) or 22 AWG (4-pin), gold-plated contacts

Voltage/Current Rating: 250V ac/300V dc, 4.0 A

Temperature: -40° to +105° C

Environmental Rating: IP67

#### Connections

Model	Branches	Trunk	Cable Diameter	Pinout	Used With
CSB-UNT213M831F1241	3-Pin Pico QD 0.3 m Male 4-pin Euro QD 0.3 m Female	Flying Leads 4 m	4.40 mm (branches) 5.50 mm (trunk)	<b>Female</b>  1=Brown 2=White 3=Blue 4=Black <b>Male</b>  1 = NC 3 = Blue 4 = Black	<ul style="list-style-type: none"> <li>P4 to High Intensity Area Lights (to strobe from P4)</li> </ul>
Dimensions (mm)					
					

### 4-Pin Snap-on M8/Pico-Style Cordsets

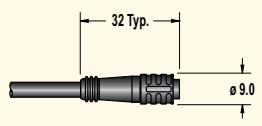

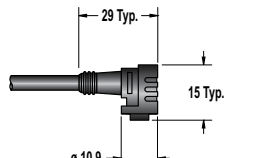

Cable: PVC jacket, PUR (polyurethane) connector body, nylon coupling nut

Conductors: 26 AWG, gold-plated contacts

Voltage/Current Rating: 125V ac/dc, 2.0 A

Temperature: -40° to +90° C

Environmental Rating: IP67

Style	Length	Model	Cable Diameter	Dimensions (mm)	Pinout	Used With
Straight	2.00 m	PKG4-2	3.20 mm		<b>Female</b>  1 = Brown 2 = White 3 = Blue 4 = Black	<ul style="list-style-type: none"> <li>QS18</li> <li>Q20</li> <li>D12</li> <li>D10A</li> <li>S12</li> </ul>
Right-Angle	2.00 m	PKW4Z-2	3.20 mm		<b>Female</b>  1 = Brown 2 = White 3 = Blue 4 = Black	

## X-ON Electronics

Largest Supplier of Electrical and Electronic Components

*Click to view similar products for [banner manufacturer](#):*

Other Similar products are found below :

[Q45VR2FPQ](#) [BTA23S](#) [RS-11](#) [L16F](#) [2LM3](#) [2PBA](#) [LM8-1](#) [LMT](#) [SM312CV](#) [SM31RQD](#) [LS4ELQ](#) [FX1](#) [Q45BB6LLQ](#) [QM42VP6AFV150Q](#)  
[D12SP6FP](#) [MBCC-412](#) [BA23S](#) [BT21S](#) [BTA13S](#) [LM4-2](#) [QS18VN6DB](#) [ES-FA-6G](#) [T183E](#) [SLSP30-600Q88](#) [SLSP30-1200Q88](#) [OPBA5](#)  
[PBAT](#) [CL50GRYNQ](#) [SBLV1](#) [SMA91EQD](#) [SMA91E](#) [SMA912LVQD](#) [SMA912DQD](#) [SM2A312CVQD](#) [SM2A912LVQD](#) [SM31RL](#)  
[TL70RAQ](#) [TL70RQ](#) [K50LG RYPQ](#) [LEDRR70X70-78587](#) [BRT-THG-4X4-5](#) [T18-2VN DL-Q8](#) [UM-FA-11A](#) [SLLP14-1190P88](#) [SME312DQD](#)  
[SM312CUQD](#) [BR-2](#) [BR23P](#) [SM2A312FPQD](#) [SM2A312LVQD](#)