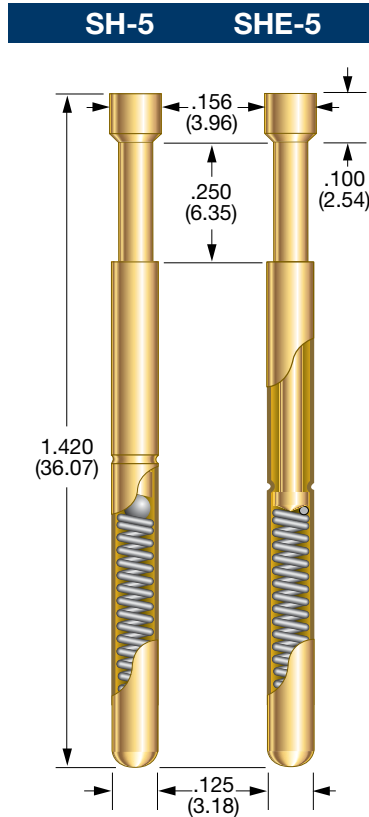


.187 CENTERS SH-5 and SHE-5



PROBE SPECIFICATIONS

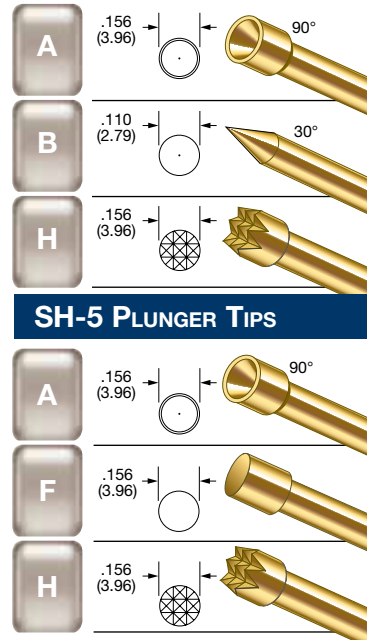
Minimum Centers: .187 (4.75)
Current Rating:
 SHE-5: 23 amps continuous
 SH-5: 39 amps continuous
 (Individual probe in free air @ ambient temperature)
Spring Force: 18.7 oz. @ .170 (4.32) travel
Maximum Travel: .250 (6.35)
Working Travel: .170 (4.32)

Rated Force oz. (g)	Preload oz. (g)
18.7 (531)	7.2 (204)

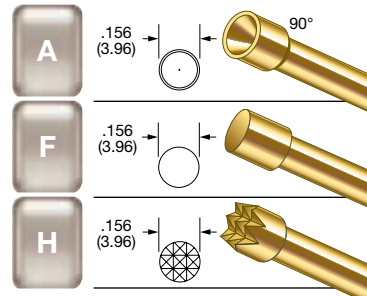
MATERIALS

Barrel: High performance copper alloy, gold plated
Spring: Stainless steel
Plunger: Beryllium copper, gold plated
Ball: SH probe: Stainless steel
Receptacle: Copper alloy, gold plated

SHE-5 PLUNGER TIPS



SH-5 PLUNGER TIPS



.187 CENTER HIGH CURRENT PROBES



IDL current ratings are defined as the maximum current at which the temperature rise of the probe does not exceed 144°F (80°C) for a single probe in free air at ambient temperature for one hour.

RECEPTACLE OPTIONS

Part Number	Style	Receptacle Length	Probe/Receptacle Combined Length	Comments
RH-5-SC	Solder Cup	1.295 (32.89)	1.620 (41.15)	—

HOW TO ORDER: SPRING CONTACT PROBE

SHE **5** **A** **18.7** **G**

SERIES SIZE TIP STYLE SPRING FORCE PLATING OPTIONS

SERIES:
SHE: 23 AMPS
SH: 39 AMPS

RECEPTACLE

RH **5** **SC**

SERIES SIZE TERMINATION

TERMINATIONS:
SC: SOLDER CUP

VIEW UPDATES OF THIS INFORMATION AT WWW.IDINET.COM

Specifications subject to change without notice. Dimensions in inches (millimeters)

X-ON Electronics

Largest Supplier of Electrical and Electronic Components

Click to view similar products for [interconnect devices manufacturer](#):

Other Similar products are found below :

[Interconnect Devices](#)