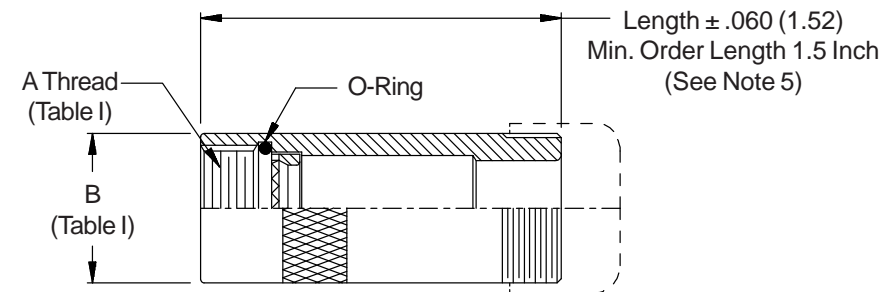
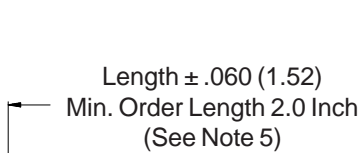
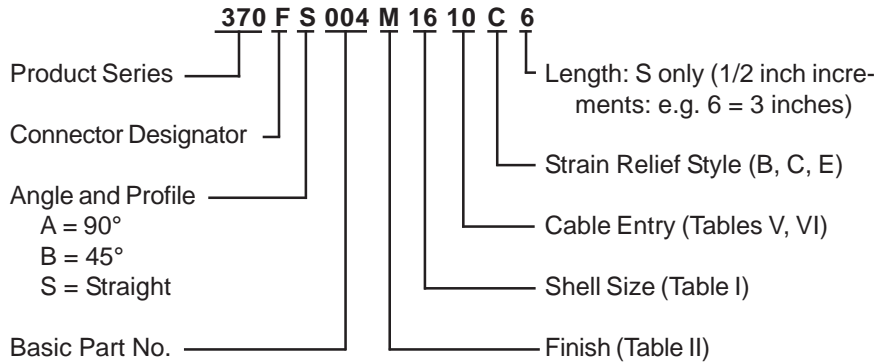
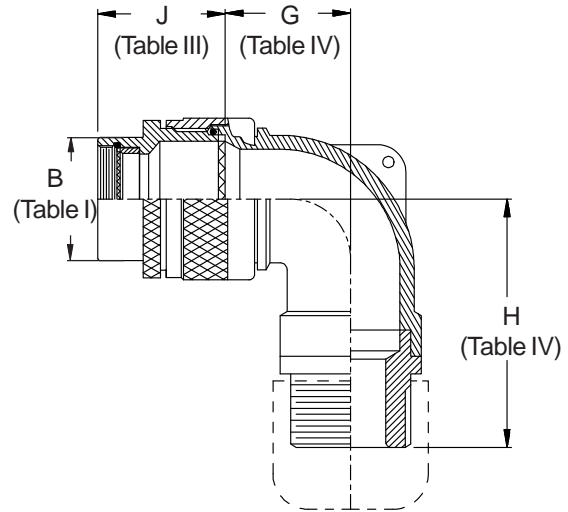
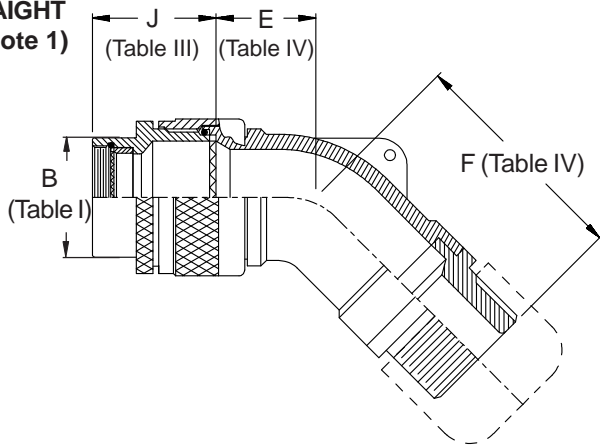


CONNECTOR DESIGNATORS
A-B*-C-D-E-F
G-H-J-K-L-S
 * Conn. Desig. B See Note 6
DIRECT COUPLING



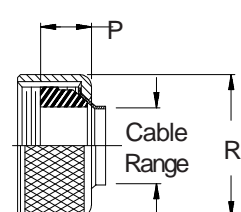
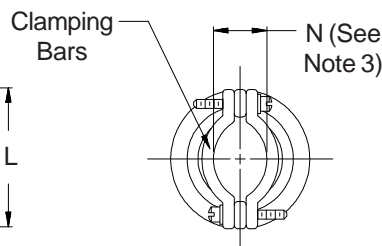
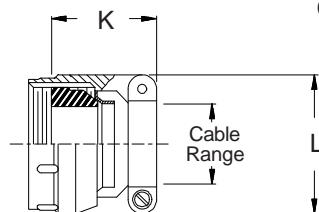
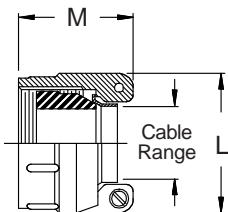
STYLE 2
(STRAIGHT)
 See Note 1)



STYLE B
 (Table V)

STYLE C
 Medium Duty
 (Table V)

STYLE E
 Medium Duty
 (Table VI)



370-004
Water-Tight Cable Sealing Backshell
 with Strain Relief
 Low Profile - Direct Coupling



TABLE III: FRONT ADAPTER

| Shell Size | J Max - Conn. Designator | | |
|------------|--------------------------|--------------|--------------|
| | A-E-F J-H-L-S | D-B-G-K | C |
| 08/09 | 1.180 (30.0) | 1.440 (36.6) | |
| 10/11 | 1.180 (30.0) | 1.440 (36.6) | |
| 12/13 | 1.180 (30.0) | 1.440 (36.6) | 1.735 (44.1) |
| 14/15 | 1.180 (30.0) | 1.440 (36.6) | 1.915 (48.6) |
| 16/17 | 1.380 (35.0) | 1.560 (39.6) | 1.915 (48.6) |
| 18/19 | 1.380 (35.0) | 1.560 (39.6) | 1.915 (48.6) |
| 20/21 | 1.380 (35.0) | 1.560 (39.6) | 1.915 (48.6) |
| 22/23 | 1.380 (35.0) | 1.560 (39.6) | 1.915 (48.6) |
| 24/25 | 1.380 (35.0) | 1.560 (39.6) | 1.915 (48.6) |
| 28/29 | 1.610 (40.9) | 1.560 (39.6) | 1.915 (48.6) |
| 32/33 | 1.610 (40.9) | 1.750 (44.5) | 1.915 (48.6) |
| 36 | 1.610 (40.9) | 1.750 (44.5) | 1.915 (48.6) |
| 40 | 1.610 (40.9) | 2.190 (55.6) | 1.915 (48.6) |

See inside back cover
 fold-out or pages 13 and
 14 for Tables I and II.

TABLE IV: ELBOW DIMENSIONS

| Elbow Size | E | F | G | H |
|------------|--------------|--------------|--------------|--------------|
| | Max | Max | Max | Max |
| 04 | .567 (14.4) | 1.187 (30.1) | .636 (16.2) | 1.200 (30.5) |
| 06 | .630 (16.0) | 1.250 (31.8) | .710 (18.0) | 1.320 (33.5) |
| 08 | .692 (17.6) | 1.312 (33.3) | .731 (18.6) | 1.340 (34.0) |
| 10 | .755 (19.2) | 1.655 (42.0) | .825 (21.0) | 1.660 (42.2) |
| 12 | .848 (21.5) | 1.765 (44.8) | .988 (25.1) | 1.750 (44.5) |
| 16 | 1.036 (26.3) | 1.952 (49.6) | 1.087 (27.6) | 1.925 (48.9) |
| 20 | 1.130 (28.7) | 2.098 (53.3) | 1.325 (33.7) | 2.033 (51.6) |
| 24 | 1.255 (31.9) | 2.155 (54.7) | 1.337 (34.0) | 2.200 (55.9) |
| 28 | 1.317 (33.5) | 2.250 (57.2) | 1.827 (46.4) | 2.450 (62.2) |
| 32 | 1.348 (34.2) | 2.343 (59.5) | 2.027 (51.5) | 2.450 (62.2) |

TABLE V: CABLE ENTRY

| Dash No. | K | L | N | Cable Range | | M |
|----------|--------------|--------------|--------------|--------------|--------------|--------------|
| | Max | Max | Ref | Min | Max | Max |
| 03 | 1.219 (31.0) | .812 (20.6) | .135 (3.4) | .156 (4.0) | .219 (5.6) | 1.031 (26.2) |
| 04 | 1.219 (31.0) | .937 (23.8) | .203 (5.2) | .188 (4.8) | .312 (7.9) | 1.031 (26.2) |
| 06 | 1.219 (31.0) | 1.062 (27.0) | .285 (7.2) | .281 (7.1) | .438 (11.1) | 1.031 (26.2) |
| 08 | 1.219 (31.0) | 1.188 (30.2) | .350 (8.9) | .312 (7.9) | .531 (13.5) | 1.031 (26.2) |
| 10 | 1.281 (32.5) | 1.312 (33.3) | .390 (9.9) | .375 (9.5) | .625 (15.9) | 1.094 (27.8) |
| 12 | 1.281 (32.5) | 1.562 (39.7) | .460 (11.7) | .500 (12.7) | .750 (19.1) | 1.219 (31.0) |
| 16 | 1.406 (35.7) | 1.750 (44.5) | .510 (13.0) | .625 (15.9) | .938 (23.8) | 1.219 (31.0) |
| 20 | 1.656 (42.1) | 2.250 (57.2) | .695 (17.7) | .938 (23.8) | 1.250 (31.8) | 1.344 (34.1) |
| 24 | 1.906 (48.4) | 2.375 (60.3) | .715 (18.2) | 1.000 (25.4) | 1.375 (34.9) | 1.547 (39.3) |
| 28 | 1.906 (48.4) | 2.625 (66.7) | .915 (23.2) | 1.250 (31.8) | 1.625 (41.3) | 1.547 (39.3) |
| 32 | 2.000 (50.8) | 2.812 (71.4) | 1.070 (27.2) | 1.500 (38.1) | 1.875 (47.6) | 1.734 (44.0) |

TABLE VI: CABLE ENTRY

| Dash No. | P | R | Cable Range | |
|----------|--------------|--------------|--------------|--------------|
| | Max | Max | Min | Max |
| 03 | .739 (18.8) | .812 (20.6) | .156 (4.0) | .219 (5.6) |
| 04 | .739 (18.8) | .937 (23.8) | .188 (4.8) | .312 (7.9) |
| 06 | .739 (18.8) | 1.062 (27.0) | .281 (7.1) | .438 (11.1) |
| 08 | .739 (18.8) | 1.188 (30.2) | .312 (7.9) | .531 (13.5) |
| 10 | .791 (20.1) | 1.312 (33.3) | .375 (9.5) | .625 (15.9) |
| 12 | .880 (22.4) | 1.562 (39.7) | .500 (12.7) | .750 (19.1) |
| 16 | .901 (22.9) | 1.750 (44.5) | .625 (15.9) | .938 (23.8) |
| 20 | 1.031 (26.2) | 2.250 (57.2) | .938 (23.8) | 1.250 (31.8) |
| 24 | 1.250 (31.8) | 2.375 (60.3) | 1.000 (25.4) | 1.375 (34.9) |
| 28 | 1.250 (31.8) | 2.625 (66.7) | 1.250 (31.8) | 1.625 (41.3) |
| 32 | 1.312 (33.3) | 2.812 (71.4) | 1.500 (38.1) | 1.875 (47.6) |

1. When maximum cable entry (page 22) is exceeded, Style 2 will be supplied. Function S only.
2. Metric dimensions (mm) are indicated in parentheses.
3. Saddles are bottomed on Clamp Ears.
4. Cable range is defined as the accommodations range for the wire bundle or cable. Dimensions shown are not intended for inspection criteria.
5. Consult factory for shorter lengths on straight backshells.
6. When using Connector Designator B refer to pages 18 and 19 for part number development.

X-ON Electronics

Largest Supplier of Electrical and Electronic Components

Click to view similar products for [D-Sub Backshells](#) category:

Click to view products by [Glenair](#) manufacturer:

Other Similar products are found below :

[173114-0084](#) [173112-1658](#) [600X51137X](#) [600X54009X](#) [66241-12A](#) [M85049/48-1-2](#) [M85049/48-3-5F](#) [M85049/6-38N](#) [M85049/86-12N03](#)
[70.350.0636.4](#) [70.350.2435.1](#) [72.350.1035.2](#) [72.352.2435.1](#) [73.359.4035.3](#) [799-015TMH07M](#) [799-015TMH08N](#) [FKH1RE](#) [829472-1](#) [F-](#)
[PHG-1E](#) [F-PHG-3E](#) [F-PHG-4E](#) [F-PHR-4E](#) [PCS-E20W](#) [8655MHRA0901KLF](#) [8655MHRA2501KLF](#) [958-009-010R011](#) [970-015-040R011](#)
[970-025-030R121](#) [970-025-040R011](#) [971-009-030R121](#) [971-009-040R011](#) [971-015-040R011](#) [971-025-040R011](#) [GS85049/38-25M](#) [975T009-](#)
[020R121](#) [975T015-020R121](#) [1-21986-2](#) [1-21986-5](#) [DB-20962](#) [DE-C8-J9-F4-1R](#) [DE-C8-J9-F5-1R](#) [DPH-B-003](#) [1437013-9](#) [1484402-8](#)
[MS3057-10A](#) [156-3025-EX](#) [MS3417-16C](#) [16-500800](#) [165X02659X](#) [165X03329A](#)