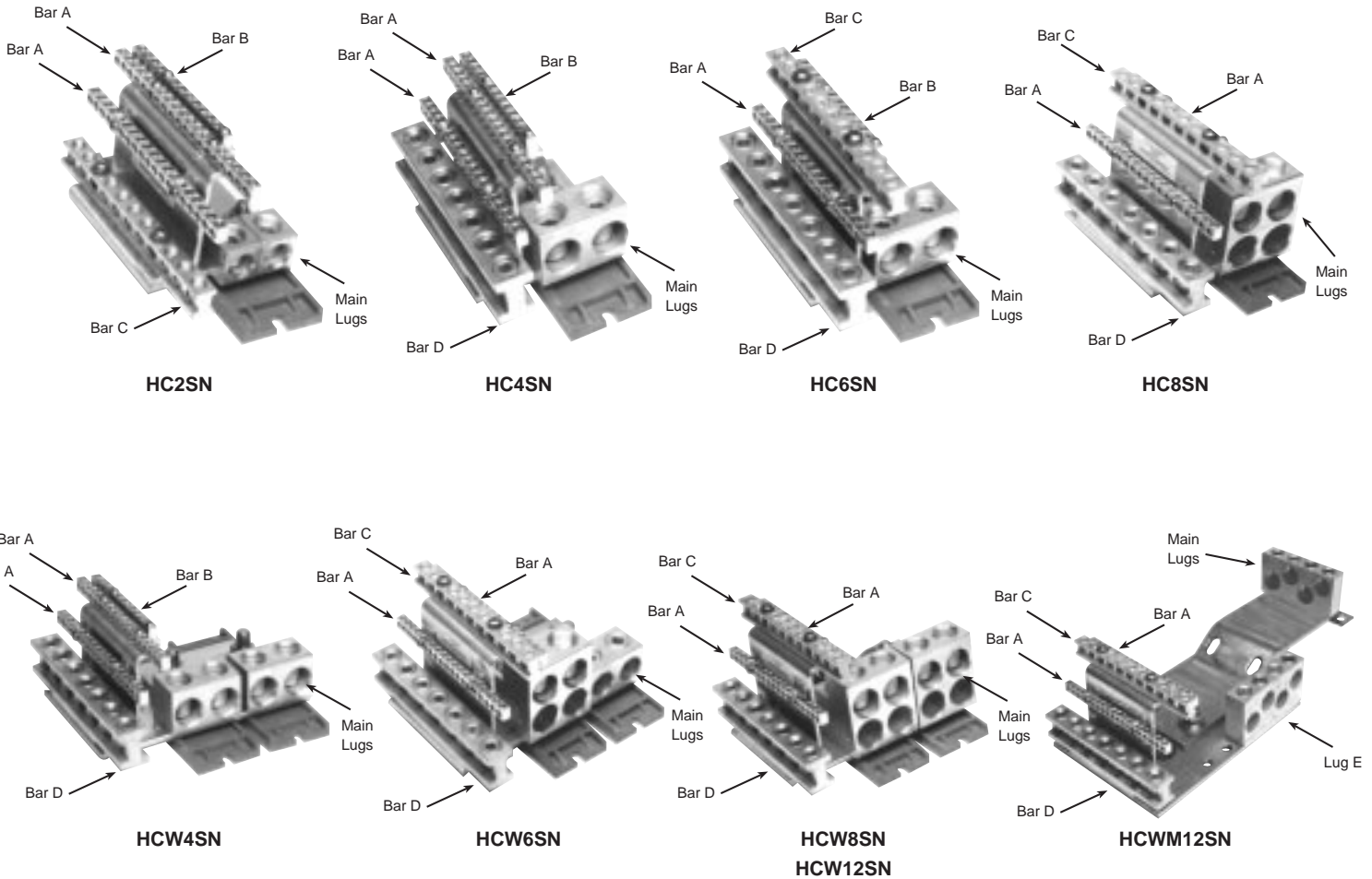




Neutral and Equipment Ground Terminal Sizes For I-LINE® Panelboards

Aluminum Neutrals*



Branch Terminals

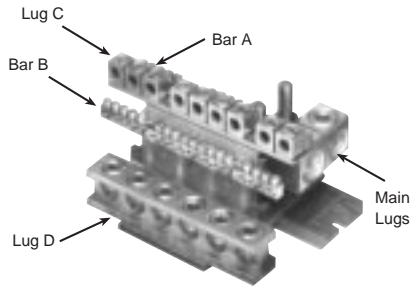
Bar Designation	Number of Terminals	Wire Range
A	17	(1) #14-#4 Cu or Al
B	11	(1) #14-#4 Cu or Al
C	9	(1) #14-1/0 Cu or Al
D	7	(1) #6-350 kcmil Cu or Al
E	18	(1) #14-#4 Cu or Al

Main Lug Terminals

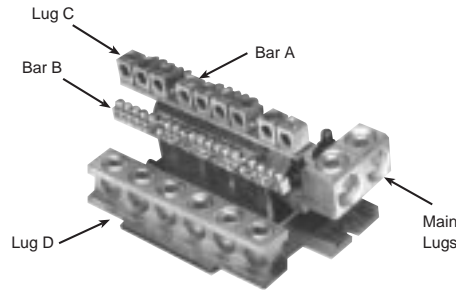
Catalog Number	Lug Range
HC2SN	(2) #6-300 kcmil Cu or Al
HC4SN	(2) #4-600 kcmil Cu or Al
HC6SN	(2) #4-600 kcmil Cu or Al
HC8SN	(4) 3/0-750 kcmil Cu or Al
HCW4SN	(4) #4-600 kcmil Cu or Al
HCW6SN	(2) #4-600 kcmil Cu or Al and (4) 3/0-750 kcmil Cu or Al
HCW8SN	(8) 3/0-750 kcmil Cu or Al
HCW12SN	(8) 3/0-750 kcmil Cu or Al

* Also used for copper neutrals with aluminum lugs.

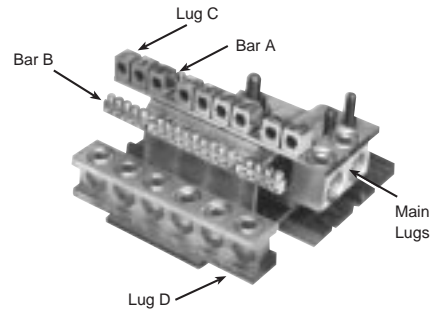
Copper Neutrals



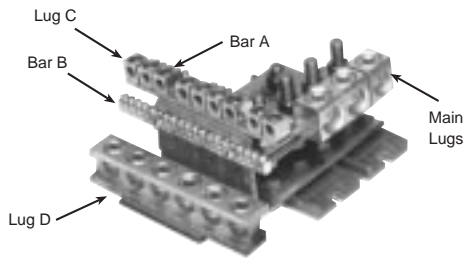
HC6SNCU



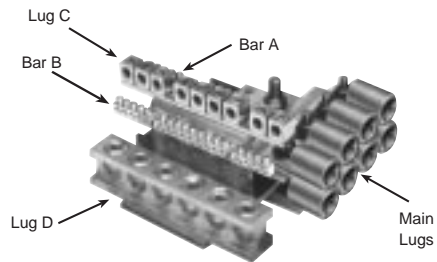
HC8SNCU



HCW4SNCU



HCW6SNCU



HCW8SNCU
HCW12SNCU

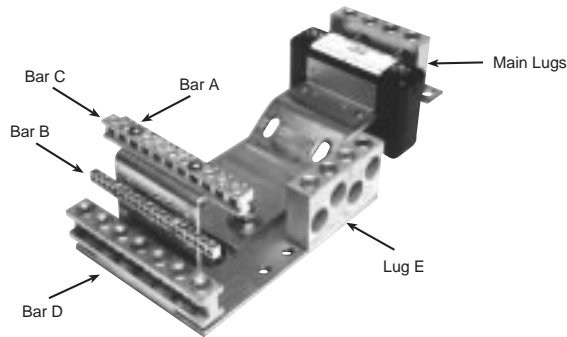
Branch Terminals

Bar/Lug Designation	Number of Terminals	Wire Range
A	10	(1) #14 - #4 Cu
B	18	(1) #14 - #4 Cu
C	9	(1) #14 - #1 Cu
D	6	(1) #4 - 250 kcmil Cu

Main Lug Terminals

Catalog Number	Lug Range
HC6SNCU	(2) #2-600 kcmil Cu
HC8SNCU	(2) #2-600 kcmil Cu
HCW4SNCU	(4) #2-600 kcmil Cu
HCW6SNCU	(4) #2-600 kcmil Cu
HCW8SNCU	(8) 250-500 kcmil Cu (crimp lug)
HCW12SNCU	(8) 250-500 kcmil Cu (crimp lug)

Aluminum Neutral
with Current Transformer



HCWM12SNCT

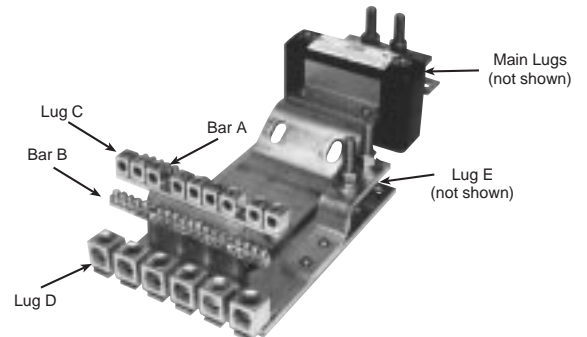
Branch Terminals

Bar/Lug Designation	Number of Terminals	Wire Range
A	17	(1) #14-#4 Cu or Al
B	17	(1) #14-#4 Cu or Al
C	9	(1) #14-1/0 Cu or Al
D	7	(1) #6-350 kcmil Cu or Al
E	4	(1) 3/0-600 kcmil Cu or Al

Main Lug Terminal

Catalog Number	Lug Range
HCWM12SNCT	(1) 3/0-600 kcmil Cu or Al

Copper Neutral
with Current Transformer



HCWM12SNCTCU

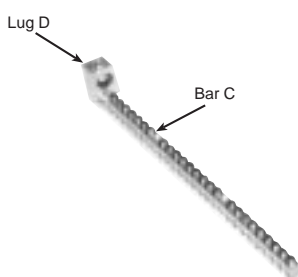
Branch Terminals

Bar Designation	Number of Terminals	Wire Range
A	10	(1) #14-#4 Cu
B	18	(1) #14-#4 Cu
C	9	(1) #14-1/0 Cu
D	6	(1) #4-250 kcmil Cu
E	4	(1) 3/0-600 kcmil Cu

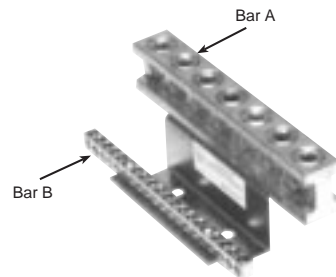
Main Lug Terminal

Catalog Number	Lug Range
HCWM12SNCTCU	(4) #2-600 kcmil Cu

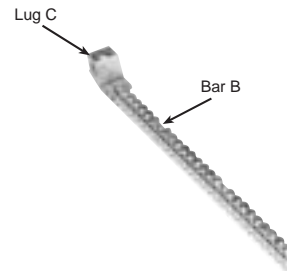
Ground Terminals



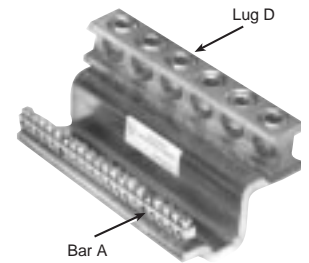
PK27GTA



PK32DGTA



PK27GTACU



PK32DGTACU

Aluminum Ground Terminals

Bar/Lug Designation	Number of Terminals	Wire Range
A	7	(1) #6-350 kcmil Cu or Al
B	18	(1) #14-#4 Cu or Al
C	27*	(1) #14-#4 Cu or (1) #12-#4 Al
D	1	(1) #6-2/0 Cu or Al

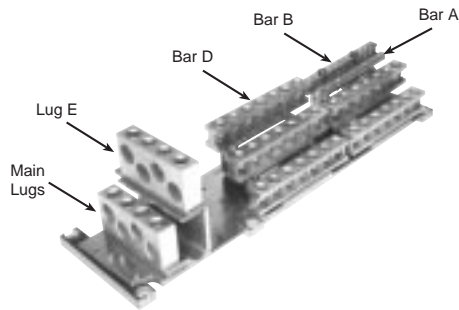
* (25) Terminals when #6-2/0 lug is used

Copper Ground Terminals

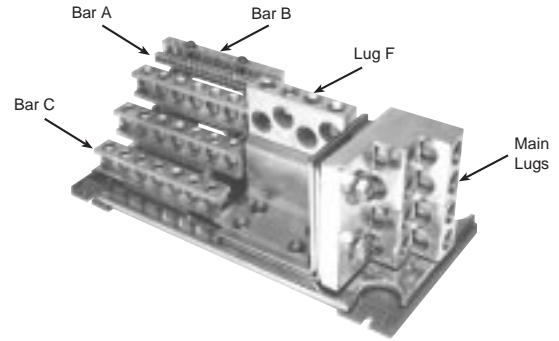
Bar Designation	Number of Terminals	Wire Range
A	18	(1) #14-#4 Cu
B	27*	(1) #14-#4 Cu
C	1	(1) #14-#1 Cu
D	6	(1) #4-250 kcmil Cu

* (25) Terminals when #14-#1 lug is used

200% Rated Aluminum Neutrals



HCM Aluminum 200% Rated Neutral



HCWM Aluminum 200% Rated Neutral

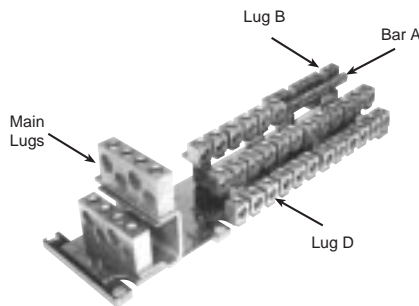
Branch Terminals

Bar Designation	Number of Terminals	Wire Range
A	17	(1) #14 - #4 Cu or Al
B	9	(1) #14 - 1/0 Cu or Al
C	15	(1) #6 - 350 kcmil Cu or Al
D	25	(1) #6 - 350 kcmil Cu or Al
E	4	(1) 3/0 - 600 kcmil Cu or Al
F	8	(1) 3/0 - 600 kcmil Cu or Al

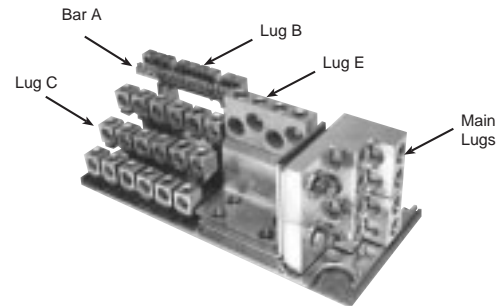
Main Lug Terminals

Catalog Number	Lug Range
HCM 200%	(2) 3/0-600 kcmil Cu or Al
HCWM 200%	(2) 3/0-750 kcmil Cu or Al

200% Rated Copper Neutrals



HCM Copper 200% Rated Neutral




HCWM Copper 200% Rated Neutral

Branch Terminals

Bar/Lug Designation	Number of Terminals	Wire Range
A	18	(1) #14-#4 Cu
B	9	(1) #14-#1 Cu
C	18	(1) #4-250 kcmil Cu
D	30	(1) #4-250 kcmil Cu
E	8	(1) 3/0-600 kcmil Cu

Main Lug Terminals

Catalog Number	Lug Range
HCM 200%	(2) 3/0-600 kcmil Cu
HCWM 200%	(2) 3/0-750 kcmil Cu

I-LINE, Square D, and  are registered trademarks of Square D.



X-ON Electronics

Largest Supplier of Electrical and Electronic Components

Click to view similar products for [schneider](#) manufacturer:

Other Similar products are found below :

[LU9M1](#) [7D](#) [7S](#) [7XA1](#) [FNQR2](#) [8501RS44V24](#) [8501RSD14P14V51](#) [8501XO20V03Y414](#) [9001KXRK](#) [9001SKR9P35RH25](#) [9001SKT35L31](#)
[9003K2C003GA](#) [9007AA1](#) [9007BA1](#) [9007C54D](#) [9007C62A2](#) [9007CA11](#) [9007FA3](#) [9007HA4](#) [9007HA6](#) [9007KA1](#) [9007KB11](#)
[9007MS01S0206](#) [9007MS02S0300](#) [9012GAR4](#) [9012GAW2](#) [9012GBW1](#) [9012GDW5E3](#) [9012GFW1](#) [9012GNG1](#) [9012GNG3](#) [9012GNG6](#)
[9013FHG39J69](#) [9013GHG2J30](#) [9050JCK2F30V14](#) [GV2ME32](#) [GVAN20](#) [GZ1E02](#) [A9F04102](#) [A9F04106](#) [A9F05110](#) [A9F07102](#)
[ABL8RPS24030](#) [DL1BLB](#) [ATS01N206QN](#) [RSL1PRJU](#) [9001KA35](#) [9001KA3G](#) [9001KA4](#) [9001KR1GH5](#)