

Features

- AC & DC Types
- 4KV Optical Isolation
- Industry Standard Packaging
- Plugs into Standard I/O Module Mounting Board
- Industry Standard Color Code (AC=Black, DC=Red)



INPUT SPECIFICATIONS

NTE Type No.	Nom. Input Vltg.	Min Turn-on Vltg.	Max Input Vltg.	Drop-Out Vltg.	Max Input Curr.	Nom. Input Res.	Diag No.
RIM-OAC5	5 VDC	2.5 VDC	8.0 VDC	1 VDC	20mA	220 Ohms	D29A
RIM-OAC15	15 VDC	9.0 VDC	18 VDC	1 VDC	16mA	1K Ohms	D29A
RIM-OAC24	24 VDC	18 VDC	32 VDC	1 VDC	14mA	2K Ohms	D29A
RIM-OAC5A	5 VDC	2.5 VDC	8.0 VDC	1 VDC	20mA	200 Ohms	D29A
RIM-OAC15A	15 VDC	9.0 VDC	18 VDC	1 VDC	16 mA	1K Ohms	D29A
RIM-OAC24A	24 VDC	18 VDC	32 VDC	1 VDC	14mA	2K Ohms	D29A
RIM-ODC5	5 VDC	2.75 VDC	8.0 VDC	1 VDC	18mA	250 Ohms	D29B
RIM-ODC15	15 VDC	9.0 VDC	18 VDC	1 VDC	16mA	1K Ohms	D29B
RIM-ODC24	24 VDC	18 VDC	32 VDC	1 VDC	13mA	2K Ohms	D29B

OUTPUT SPECIFICATIONS

NTE Type No.	Nom. Line Vltg.	Line Voltage		On-State Current		Peak On-State Voltage	Max Surge Current	Diag No.
		Min	Max	Min	Max			
RIM-OAC5	120 Vrms	12 Vrms	140 Vrms	50mA	3.5A	1.6V Peak	100 A Peak	D29A
RIM-OAC15	120 Vrms	12 Vrms	140 Vrms	50mA	3.5A	1.6V Peak	100 A Peak	D29A
RIM-OAC24	120 Vrms	12 Vrms	140 Vrms	50mA	3.5A	1.6V Peak	100 A Peak	D29A
RIM-OAC5A	240 Vrms	24 Vrms	280 Vrms	50mA	3.5A	1.6V Peak	100 A Peak	D29A
RIM-OAC15A	240 Vrms	24 Vrms	280 Vrms	50mA	3.5A	1.6V Peak	100 A Peak	D29A
RIM-OAC24A	240 Vrms	24 Vrms	280 Vrms	50mA	3.5A	1.6V Peak	100 A Peak	D29A
RIM-ODC5	5-48VDC	3 VDC	60 VDC	10mA	3.0A	1.5V Peak	5.0 ADC	D29B
RIM-ODC15	5-48VDC	3 VDC	60 VDC	10mA	3.0A	1.5V Peak	5.0 ADC	D29B
RIM-ODC24	5-48VDC	3 VDC	60 VDC	10mA	3.0A	1.5V Peak	5.0 ADC	D29B

Electrical Specifications

Environmental

Operating: -30° to +80°C

Storage: -40° to +100°C

Capacitance

Input to Output: 8pf Max

Insulation Characteristics

Input to Output Isolation Voltage: 4000 VRMS

ACCESSORIES

MOUNTING STYLES	DESCRIPTION	NTE TYPE NO.
DIN RAIL MOUNT	2-POSITION SOCKET	RLY9142

Output Digital Modules

D29

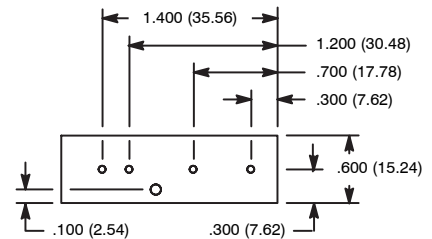
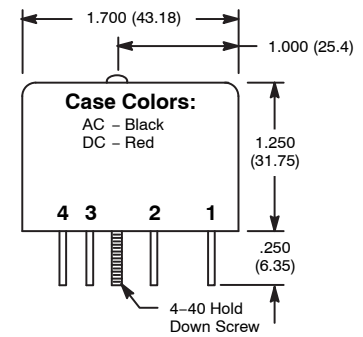


Diagram A - AC Output

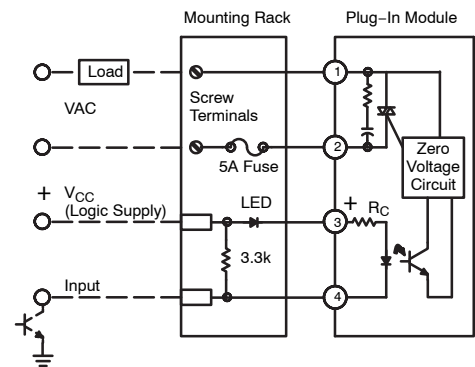
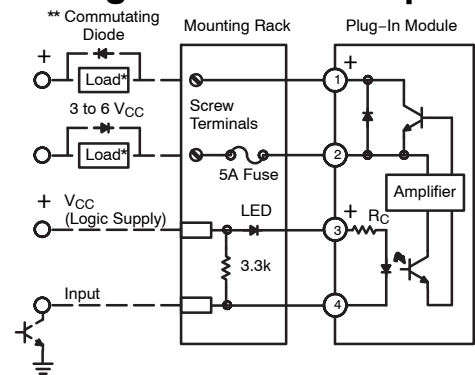


Diagram B - DC Output



* Sink or source current
** Must be used on inductive loads.

X-ON Electronics

Largest Supplier of Electrical and Electronic Components

Click to view similar products for [nte manufacturer](#):

Other Similar products are found below :

[747](#) [797](#) [868](#) [NEH680M50FE](#) [NEHH1.0M450CB](#) [NTE48](#) [NTE526A](#) [228A](#) [231](#) [954](#) [2023](#) [510](#) [R04-11A30-120](#) [04-SLPE3750A](#) [5615](#) [591](#)
[7056](#) [7448](#) [NEH.10M50AA](#) [NEH2.2M63AA](#) [NEH330M35DD](#) [NEH33M10AA](#) [NEV.22M100AA](#) [NTE528](#) [NTE542](#) [NTE74154](#) [04-](#)
[SCBW25L-BK](#) [04-SCBW32L-BK](#) [04-SCW10C-BK](#) [04-SCBW19L-GR](#) [04-SCW19L-WH](#) [04-SCW19L-OR](#) [04-SCW38L-WH](#) [04-SCBW50L-](#)
[OR](#) [04-SCBW50L-GR](#) [04-SCW10C-GR](#) [04-SCW10C-OR](#) [04-SCBW32L-GR](#) [04-SCBW32L-WH](#) [04-SCBW32L-OR](#) [04-SCBW6C-WH](#) [04-](#)
[SCBW6C-GR](#) [04-SCBW6C-OR](#) [04-SCBW25L-GR](#) [04-SCBW25L-WH](#) [04-ESNF-500L](#) [04-SL.625-R-5](#) [04-SCW5C-WH](#) [04-ESNF-1000L](#)
[04-SL1.00-O](#)