

# Amphenol

---

# MODULAR JACKS

**PRODUCT CATALOGUE**



# Amphenol

## The Company

Amphenol Commercial Products Group of Amphenol Canada Corp., a subsidiary of Amphenol Corporation, is an ISO 9001 certified facility located in Toronto, Canada. Our activities are dedicated to the design, development, and manufacturing of interconnect products intended for use in the data communications and telecommunications markets. Our expertise in understanding and supporting our customers' interconnect needs has earned Amphenol Canada a reputation of quality and excellence among the world's leading users of electronic components.

## About the Catalogue

This modular jack catalogue represents some of our more popular products within this product category. Other product categories include, but are not limited to: D-Sub, Micro-Ribbon, USB, Headers and Sockets, CoolPower connectors, VHDCI, Capacitively Decoupled BNC, filtered connectors (D-Subs and micro-ribbon), and rugged connectors (RJ, USB, D-Subs, and bulkhead adapters).

All of our modular jacks are RoHS compliant.

All drawings in this document are measured in inches [mm], unless otherwise indicated.









**Notice:** Specifications are subject to change without notice. Contact your nearest Amphenol sales office for the latest specifications. All statements, information, and data given herein are believed to be accurate and reliable, but are presented without guarantee, warranty, or responsibility of any kind, expressed, or implied. Statements or suggestions concerning possible use of our products are made without representation or warranty that any such use is free of patent infringement, and are not recommended to infringe any patent. The user should not assume that all safety measures are indicated or that other measures may not be required. Amphenol and RJ vista are registered trademarks.


# CONTENTS

## Right Angle (Side Entry)

### ▶ THROUGH-HOLE

RJHSE	Tab Up, Multiport		5-8
RJESE	Tab Up, Standard Profile		9-11
RJE29	Tab Up, Slim Profile		12-13
RJE37	Tab Up, Single Port, Low Profile		14-15
RJE39	Tab Up, Narrow, 2 and 8 Port		16-17
RJE01	Tab Up, RJ11 (Six Position)		18-19
RJSBE	Tab Down, 1, 2 and 4 Port		20-22
FRJAE	Tab Down, Filtered and Shielded		23-25
RJE02	Tab Down, Single Port, High Profile		26-27
RJE03	Tab Down, Single Port, Low Profile		28-29
RJE05	Tab Down, Ultra Low Profile		30-31
RJE09	Tab Down, Standard Profile		32-34
RJULE	Tab Down, Recessed, Low Profile		35-36
RJE73	Tab Down, Single Port, Low Profile		37-38




### ▶ SURFACE MOUNT

RJSSE	Tab Up, with Light Pipes		39-40
RJCSE	Tab Up, Standard Profile		42-43
RJLSE	Tab Down, Ultra Low Profile		45-46
RJE07	Tab Down, Single Port		46-47
RJE15	Tab Down, Single Port, Low Profile		48-49

### ▶ PRESS FIT

RJE56	Tab Down, RJ45		50-51
-------	----------------	--	-------

### ▶ STACKED


RJE36	Stacked, RJ45 Over USB		66-67
RJSAE	Stacked, 2, 4 and 8 Ports		68-69
RJSNE	Stacked, 4 over 4 Ports		70-71

## Additional Products

RJE17	RJ45 Coupler		99-100
Coming Soon & Other			100-103

## Vertical (Top Entry)






### ▶ THROUGH-HOLE

RJHSE	Multiport, Standard Profile		5-8
RJE06	Single Port, Slim Profile		52-53
RJE08	Single/Dual Port, Standard Profile		54-55
RJE74	Single Port, Standard Profile		56-57
RJE88	Single Port, Low Profile		58-59
RJE1J	Single Port, Narrow Profile		60-61
RJE4N	Vertical, 2x4 Port		62-63






### ▶ SURFACE MOUNT

RJE23	Single Port, Surface Mount		64-65
-------	----------------------------	--	-------




## Category 5e (1G, 2.5G)

RJE48	Right Angle, Low Profile		72-73
RJE58	Right Angle, Standard Profile		74-76
RJE72	Right Angle, Recessed, Low Profile		77-78
RJSGE	Stacked, Press Fit, 2 over 2 Ports		79-80
RJE1R	Stacked, 1 over 1 Ports		90-91

## Category 6 (5G, 10G)

RJE45	Vertical, Single Port, Low Profile		81-82
RJE49	Right Angle, Low Profile		83-84
RJE59	Right Angle, Standard Profile		85-87
RJE71	Right Angle, Recessed, Low Profile		88-89
RJE1R	Stacked, 1 over 1 Ports		90-91

## Category 6A (10G)

RJE4A	Vertical, Single Port, Low Profile		92-93
RJE7B	Right Angle, Recessed, Low Profile		94-95
RJE60	Right Angle, Standard Profile		96-97

### LED OPTIONS

3

**Note:**  Denotes LEDs are available for connectors in the series



# LED OPTIONS

## LED Designation

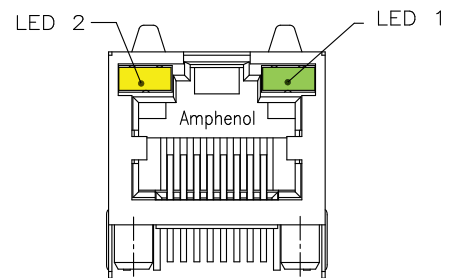
LED Code	LED 2 Left		LED 1 Right	
0	Blocked		Blocked	
1	Yellow		Green	
2	Blocked		Green	
3	Yellow		Blocked	
4	Green		Yellow	
5	Green		Green	
6	Yellow		Yellow	
7	Red		Green	
8	Green		Red	
9	Green		Blocked	
A	Green	Yellow	Green	Yellow
B	Red	Green	Red	Green
C	Red	Green	Green	Yellow
D	Green		Green	Yellow
E	Yellow		Green	Yellow
F	Green	Yellow	Yellow	
G	Green	Orange	Green	Orange
H	Green	Yellow	Green	
J	Red	Green	Yellow	
K	Yellow		Green	Orange
L	Green	Yellow	Red	
M	Red		Yellow	
N	Green	Red	Green	Yellow
P	Green		Red	Green
R	Green	Orange	Green	
T	Red		Red	
V	Red	Green	Green	

Ex. RJHSE - 538X\*

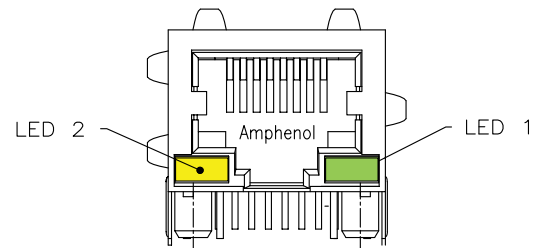
### \*LED Designation Code

Note: A black X in the part number refers to the LED designation code for all drawings in this catalogue.

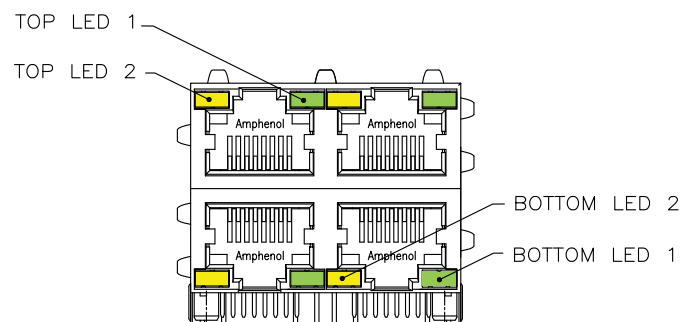
### Tab Up Connectors:



### Tab Down Connectors:



### Stacked Connectors:



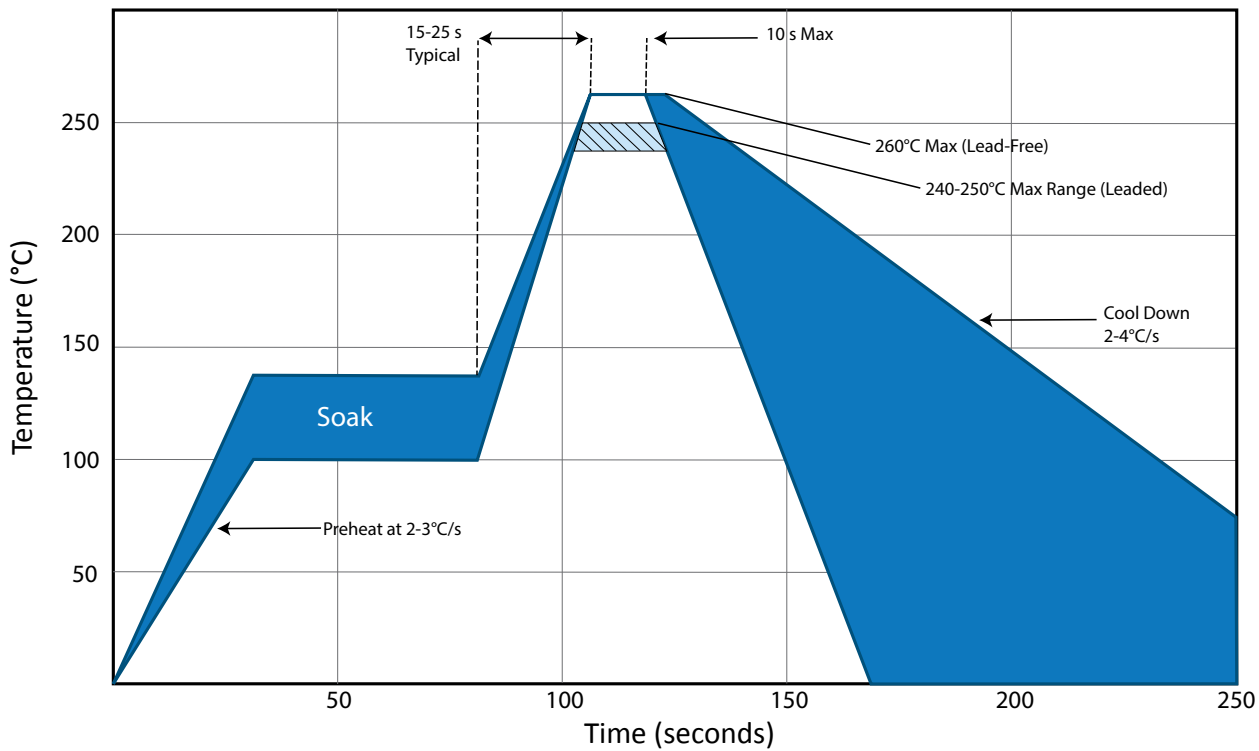
Other LED options are available. If you do not see what you're looking for, please email [sales@amphenolcanada.com](mailto:sales@amphenolcanada.com) to request the complete the LED ordering options.

➔ [Click to Return to Table of Contents](#)



# WAVE SOLDER PROFILE

## Typical Wave Solder Profile for Leaded and Lead-Free Through-Hole Package



← Click to Return to Table of Contents

# RJHSE

TAB UP, MULTIPOINT, WITH LEDs

## TAB UP, MULTIPOINT, WITH LEDs

A series of EMI Quiet Modular Jack connectors with built-in LEDs. This product is ideal for LAN applications such as adapter cards and routers. Shielded and non-shielded versions are available, with a variety of LED colors and ports.



## SPECIFICATIONS

### Material

<b>Insulator:</b>	High temp. thermoplastic; Complies with UL 94V-0; Black
<b>Contacts:</b>	Phosphor bronze hard temper with gold thickness options (6μ", 15μ", 30μ", 50μ") over 50μ" min. nickel on contact mating area; 100μ" min. matte tin plating on soldering tail
<b>Shield:</b>	Stainless steel with tin dipped tails
<b>LED:</b>	Tin plating on LED tails

### Mechanical

<b>Insertion Force:</b>	5 lbs max.
<b>Pull Retention Force:</b>	20 lbs min.
<b>Durability:</b>	750 mating & unmating cycles
<b>Recommended Soldering Temperature:</b>	Wave soldering peaked at 260°C for 5 secs max.
<b>Operating Temperature:</b>	-55°C to + 85°C
<b>UL File #:</b>	E135615
<b>CSA File #:</b>	LR685398

Note: Connectors without LEDs are suitable for IR Reflow

### Electrical

<b>Contact Resistance:</b>	20 mΩ max.
<b>Insulation resistance:</b>	500 MΩ min. at 500V DC for 2 mins max.
<b>Current Rating:</b>	1.5 Amps per contact
<b>Voltage Rating:</b>	125 Volts AC
<b>DWV:</b>	1000 VAC, 60 Hz. 1 min.
<b>Standard LEDs:</b>	For 5.0 V Systems
<b>Forward Voltage:</b>	2.1 Volts typical
<b>Reverse Voltage:</b>	6 Volts min.
<b>Luminous Intensity:</b>	0.5 mcd min. at 2mA
<b>Low Current LEDs:</b>	For 3.3 V Systems
<b>Forward Voltage:</b>	2 Volts typical
<b>Reverse Voltage:</b>	6 Volts min.
<b>Luminous Intensity:</b>	1 mcd min. at 2mA

Note: Vertical version is only available in single port

## ORDERING INFORMATION

RJHSE - X X X X - XX

### Version

- 3 - Vertical mount, 8 positions, 30μ" gold plating
- 5 - Right angle, 8 positions, 50μ" gold plating
- 7 - Right angle, 6 positions, 50μ" gold plating
- L - Right angle, low profile, 8 positions, 50μ" gold plating
- N - Vertical mount, 8 positions, 50μ" gold plating

### Shield Options

- 0 - No shield
- 3 - Shield with top and side tabs (single port has top tabs only)
- 4 - For single port only: Shield with top and side tabs
- F - Shield without top, side or bottom tabs
- P - Shield with top & bottom tabs, for vertical mount connector

### Number of Ports

- Blank - 1 Port
- 02 - 2 Ports
- 03 - 3 Ports
- 04 - 4 Ports
- 06 - 6 Ports
- 08 - 8 Ports

### LED Options

Click to view page 3 for options

### Number of Contacts

- 4 - 4 Contacts
- 6 - 6 Contacts
- 8 - 8 Contacts

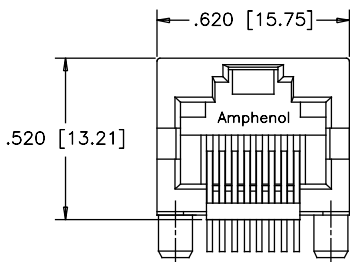
### Didn't find what you were looking for?

Please contact [sales@amphenolcanada.com](mailto:sales@amphenolcanada.com) and let us know what you need.

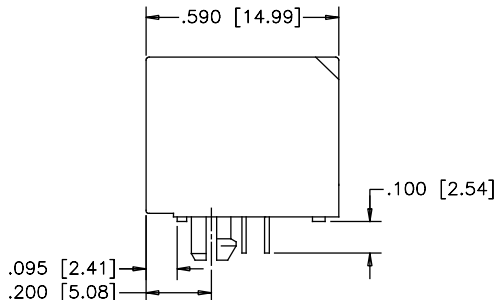
← Click to Return to Table of Contents

## Single Port Non-Shielded

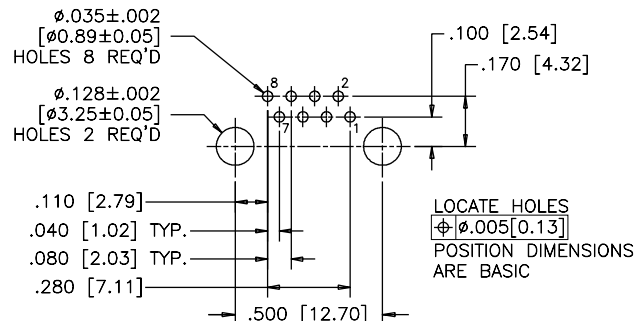
RJHSE-508X



FRONT VIEW



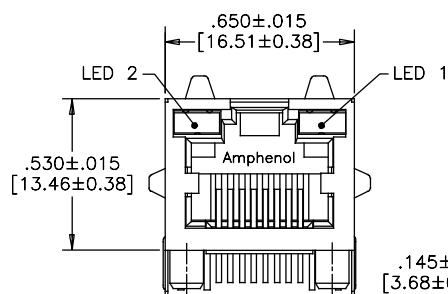
SIDE VIEW



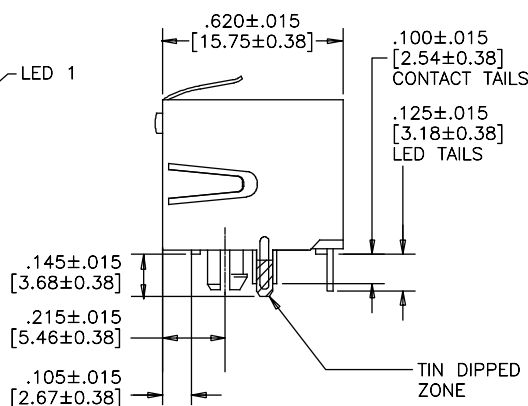
RECOMMENDED PCB LAYOUT

## Shielded - With Top & Side Ground Tabs

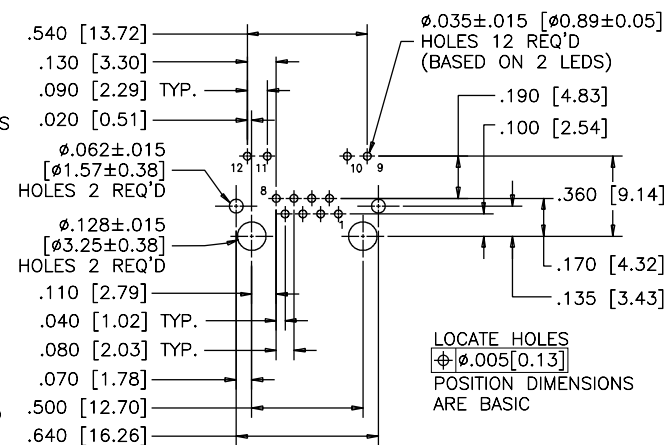
RJHSE-548X



FRONT VIEW



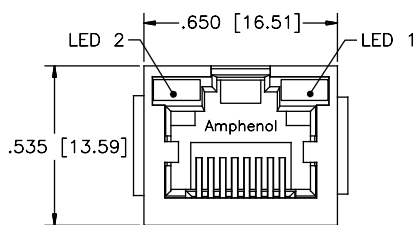
SIDE VIEW



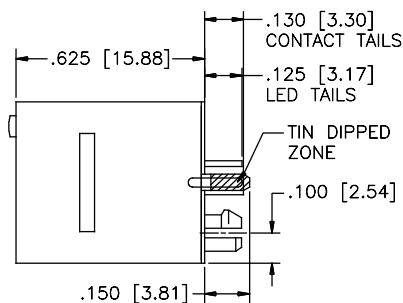
RECOMMENDED PCB LAYOUT

## Vertical Mount

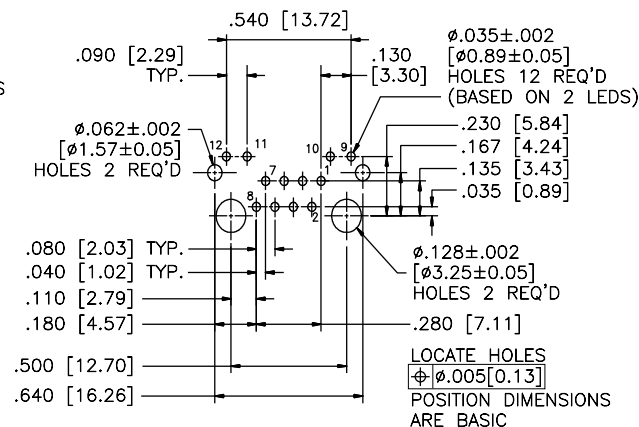
RJHSE-338X



FRONT VIEW



SIDE VIEW



RECOMMENDED PCB LAYOUT

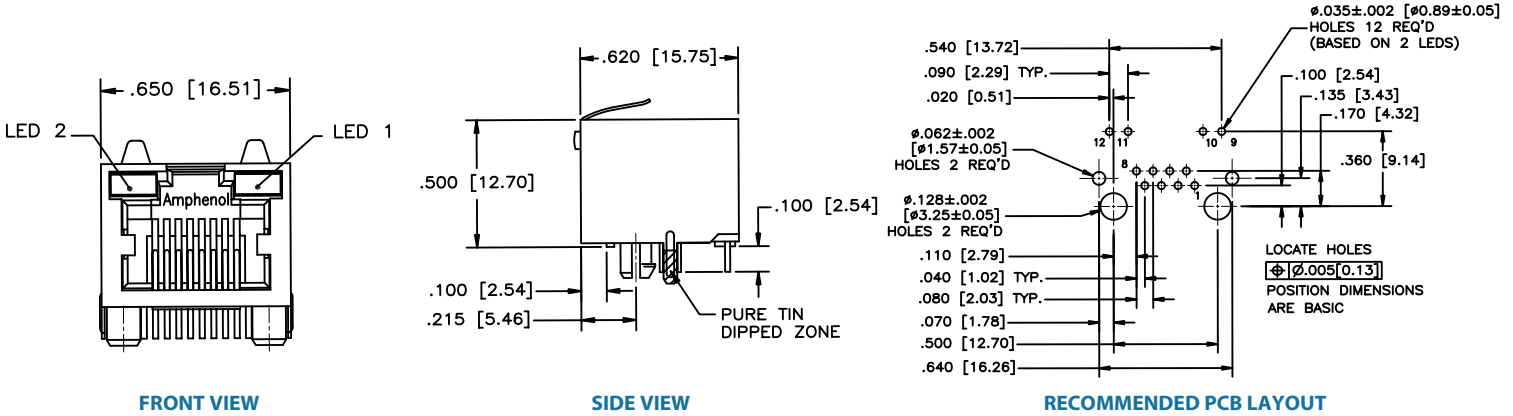


# RJHSE

TAB UP, MULTIPORT, WITH LEDs

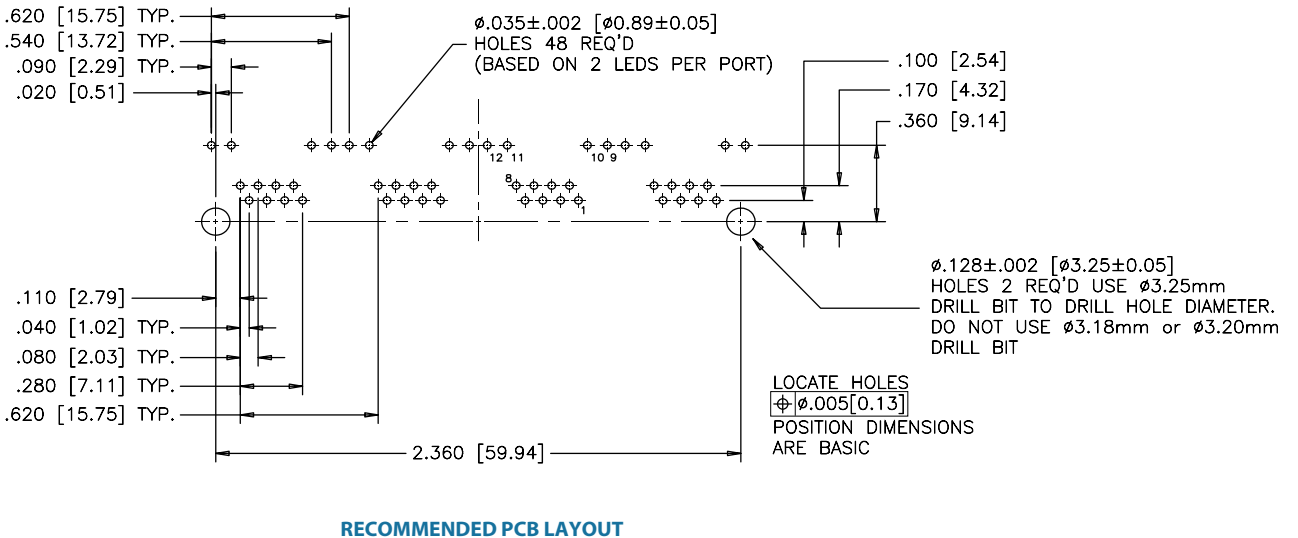
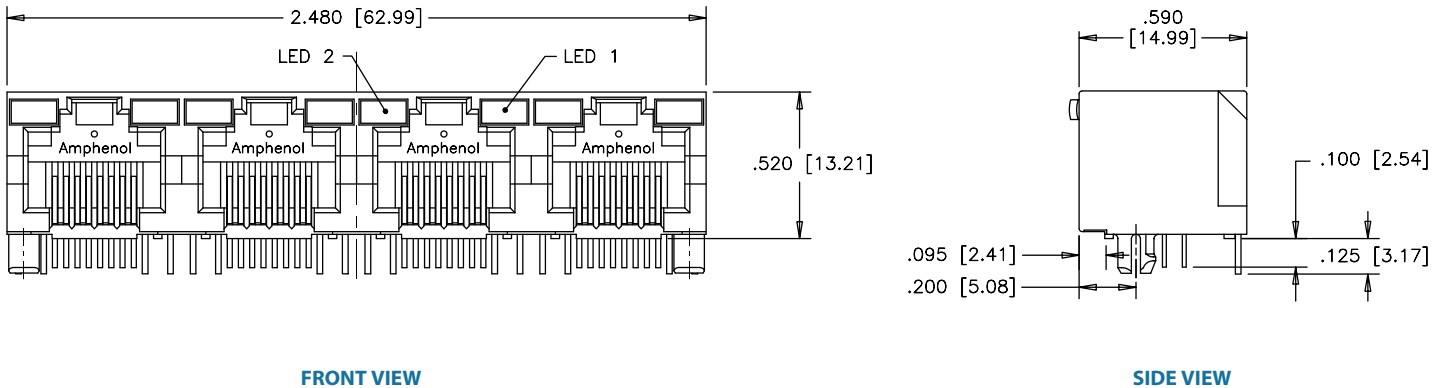
## Single Port Shielded - Low Profile

RJHSE-L38X



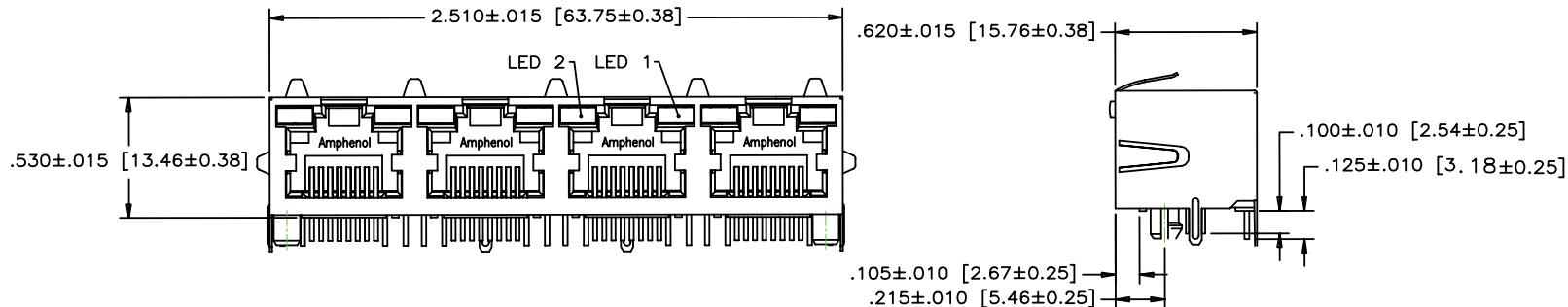
## Multi Port Non-Shielded

RJHSE-508X-04



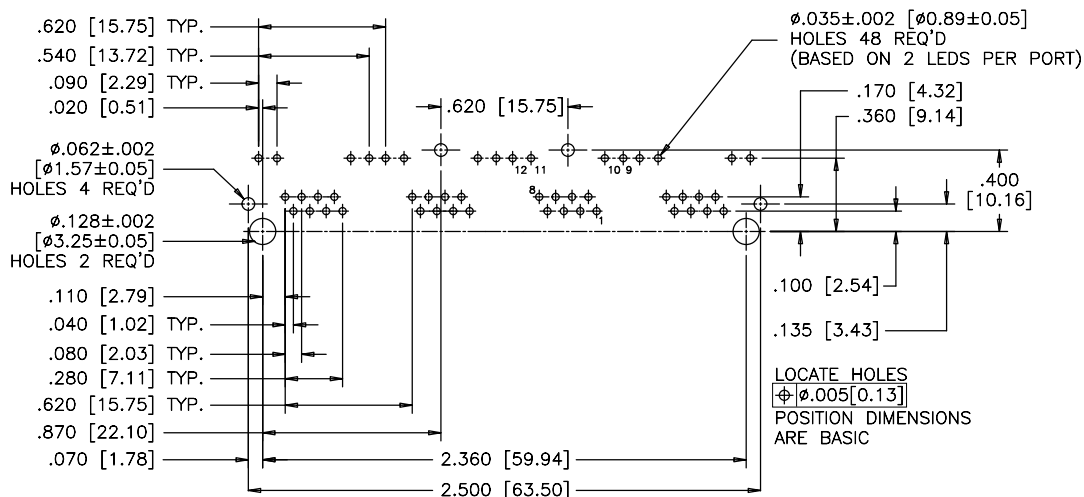
## Multi Port Shielded

RJHSE-538X-04



FRONT VIEW

SIDE VIEW



RECOMMENDED PCB LAYOUT

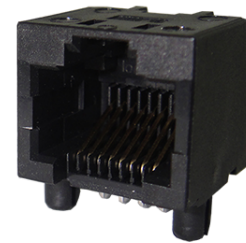
## Notes

# RJESE

TAB UP, RJ45 & RJ11, STANDARD PROFILE

## TAB UP, RJ45 & RJ11, STANDARD PROFILE

This family of EMI quiet modular jack connectors with integrated LEDs features the same data transfer capabilities as our existing series of LED-integrated modular jacks. This product is an economical solution ideal for LAN applications and is intended for use with low temperature soldering processes. Shielded and non-shielded versions are available with a variety of LED options. Also offered in both single and multi port configurations.



## SPECIFICATIONS

### Material

<b>Insulator:</b>	Engineering thermoplastic; Complies with UL 94V-0; Black
<b>Contacts:</b>	Phosphor bronze hard temper with gold thickness options (6 $\mu$ ", 15 $\mu$ ", 30 $\mu$ ", 50 $\mu$ ") over 50 $\mu$ " min. nickel on contact mating area; 100 $\mu$ " min. matte tin plating on soldering tail
<b>Shield:</b>	Stainless steel with tin dipped tails
<b>LED:</b>	Tin plating on LED tails

### Mechanical

<b>Insertion Force:</b>	5 lbs max.
<b>Pull Retention Force:</b>	20 lbs min.
<b>Durability:</b>	750 mating & unmating cycles
<b>Recommended Soldering Temperature:</b>	Wave soldering peaked at 260°C for 5 secs max.
<b>Operating Temperature:</b>	-55°C to +85°C
<b>UL File:</b>	E135615

### Electrical

<b>Contact Resistance:</b>	20 m $\Omega$ max.
<b>Insulation resistance:</b>	500 M $\Omega$ min. at 500V DC for 2 mins max.
<b>Current Rating:</b>	1.5 Amps per contact
<b>Voltage Rating:</b>	125 Volts AC
<b>DWV:</b>	1000 VAC, 60 Hz. 1 min.
<b>LED Forward DC Current:</b>	20mA typical
<b>LED Forward Voltage:</b>	1.9 Volts max. at 2mA (for single colours) 2.6 Volts max. at 2mA (for bicolours)
<b>LED Reverse Voltage:</b>	5 Volts min.
<b>LED Light Intensity:</b>	0.4 to 1.5 mcd min. at 2mA (for single colours) 0.5 mcd min. at 2mA (for bicolours)
<b>LED Wave Length:</b>	Yellow: 587 $\pm$ 7 nm measured at 20mA Green: 565 $\pm$ 6 nm measured at 20mA Red: 625 $\pm$ 5 nm measured at 20mA

## ORDERING INFORMATION

RJESE - X X X X - X X XX

### Version

- 3 - Vertical mount, 8 positions, with panel stops
- 7 - Right angle, 6 positions
- 8 - Right angle, 8 positions

### Shield Options

- 0 - No shield
- 3 - Standard shield, 1 to 8 port (single port without side tabs)
- 4 - Single port shield, top and side tabs

### Number of Contacts

- 4 - 4 Contacts
- 6 - 6 Contacts
- 8 - 8 Contacts

### LED Options

- Click to view page 3 for options

### Special Identifier

- Blank - Standard black housing
- 02 - Yellow housing colour
- 03 - Red housing colour

### Number of Ports

- 1 - 1 Port
- 2 - 2 Ports
- 4 - 4 Ports

### Contact Plating

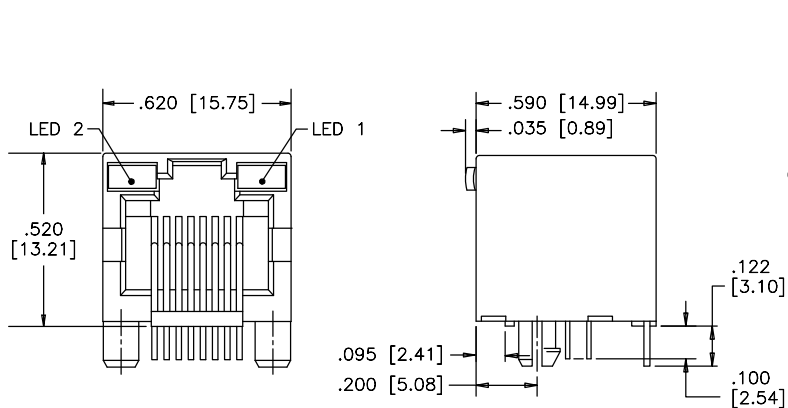
- 0 - 6 $\mu$ " gold plating
- 1 - 15 $\mu$ " gold plating
- 2 - 30 $\mu$ " gold plating
- 3 - 50 $\mu$ " gold plating
- F - 1~3 $\mu$ " gold plating

← Click to Return to Table of Contents



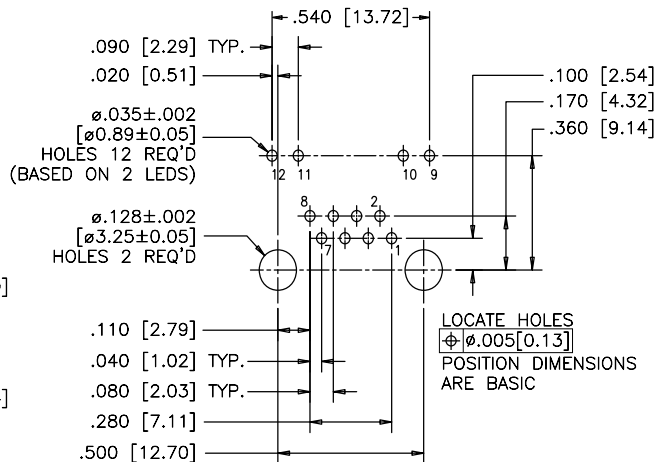
## Single Port Non-Shielded

RJESE-808X-X1



FRONT VIEW

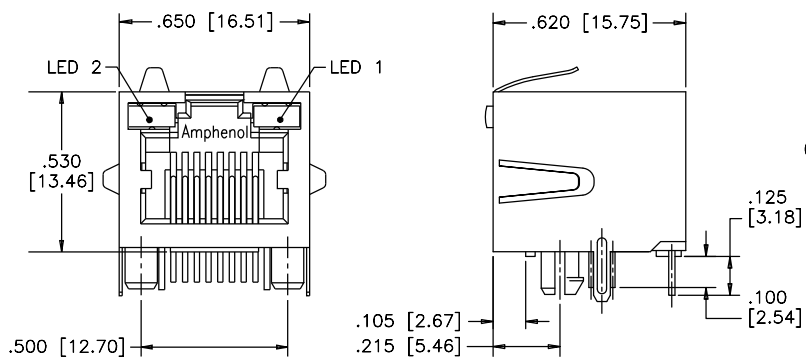
SIDE VIEW



RECOMMENDED PCB LAYOUT

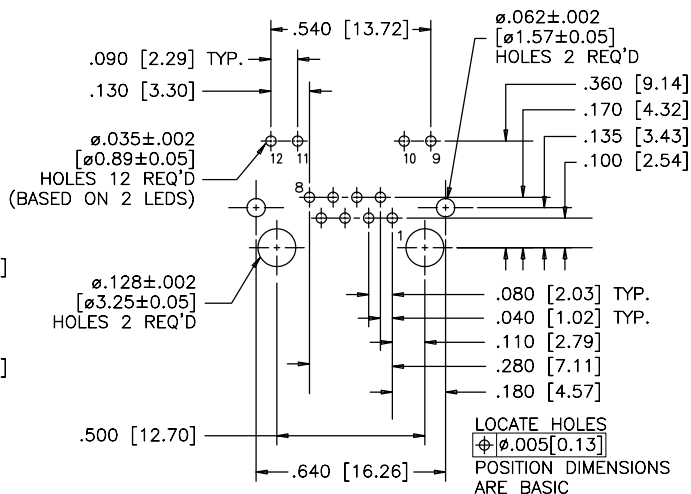
## Shielded

RJESE-848X-X1



FRONT VIEW

SIDE VIEW



RECOMMENDED PCB LAYOUT

Didn't find what you were looking for?

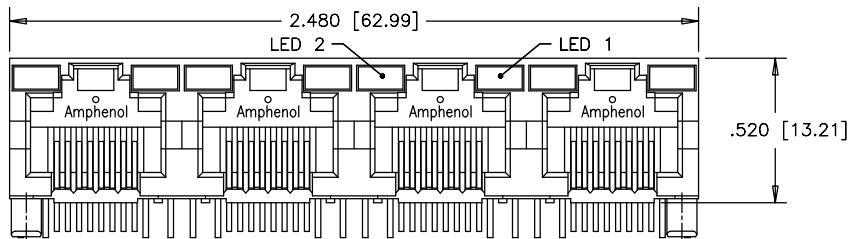
Please contact [sales@amphenolcanada.com](mailto:sales@amphenolcanada.com) and let us know what you need.

# RJESE

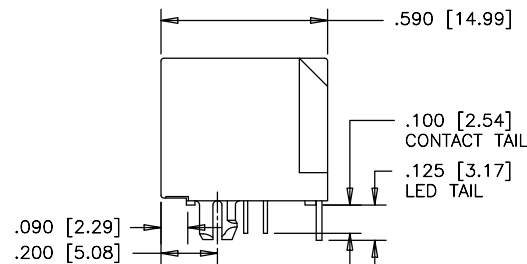
TAB UP, RJ45 & RJ11, STANDARD PROFILE

## Multi Port Non-Shielded

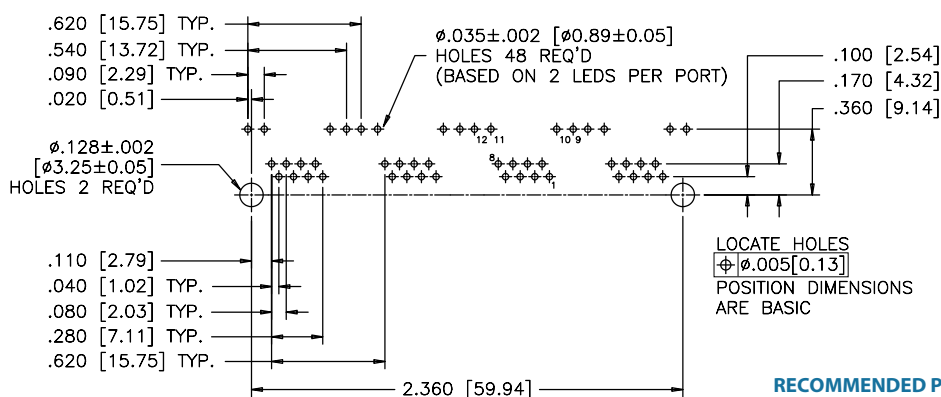
RJESE-808X-X4



FRONT VIEW



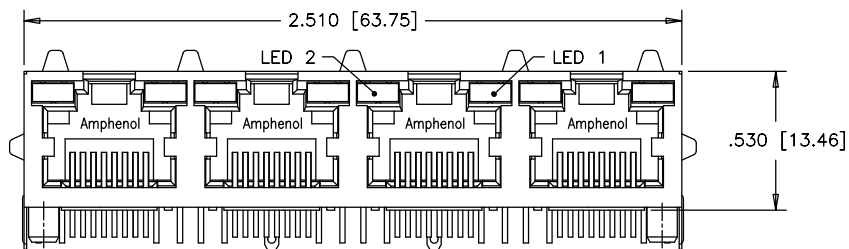
SIDE VIEW



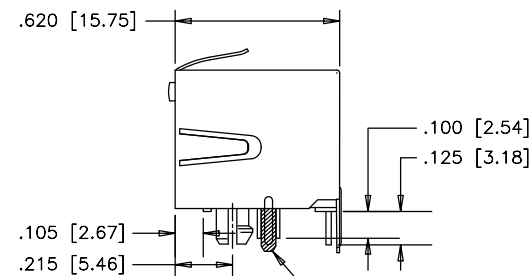
RECOMMENDED PCB LAYOUT

## Shielded

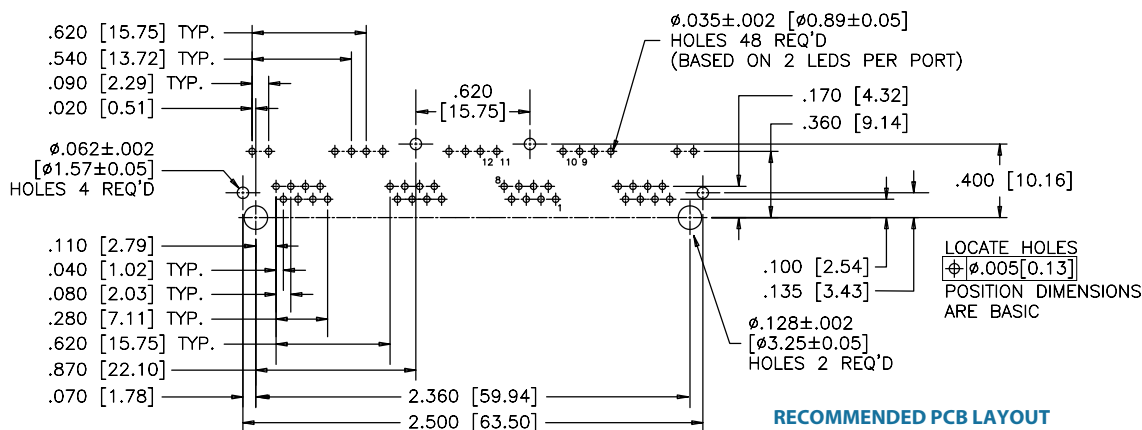
RJESE-838X-X4



FRONT VIEW



SIDE VIEW



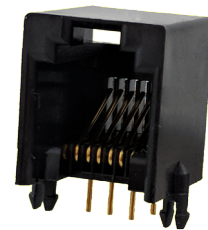
RECOMMENDED PCB LAYOUT

## RJE29

TAB UP, SLIM PROFILE

## TAB UP, SLIM PROFILE

RJE29 series is designed to meet a wide variety of applications. Available in multiple positions and contacts to support basic telecom and Ethernet protocols. Shielding is available for increased EMI performance.



## SPECIFICATIONS

## Material

<b>Insulator:</b>	High temp. thermoplastic; Complies with UL 94V-0; Black
<b>Contacts:</b>	Phosphor bronze hard temper with gold thickness options (6 $\mu$ "", 15 $\mu$ "", 30 $\mu$ "", 50 $\mu$ "") over 50 $\mu$ " min. nickel on contact mating area; 100 $\mu$ " min. matte tin plating on soldering tail
<b>Shield:</b>	Stainless steel with tin dipped tails
<b>LED:</b>	Tin plating on LED tails

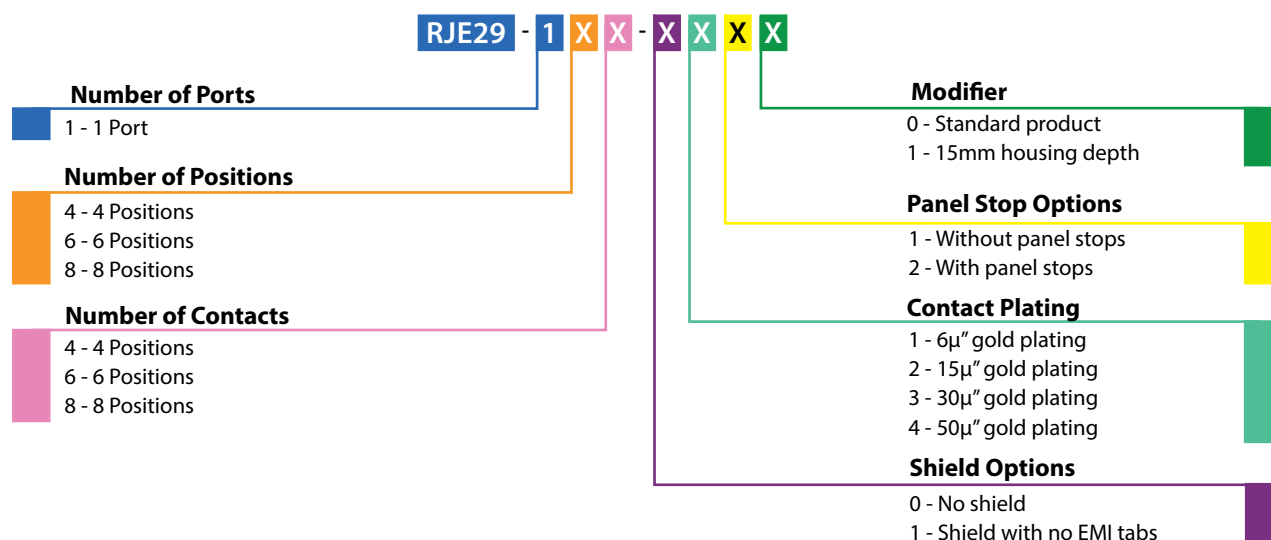
## Electrical

<b>Contact Resistance:</b>	40 m $\Omega$ max.
<b>Insulation resistance:</b>	500 M $\Omega$ min. at 100V DC
<b>Current Rating:</b>	1.5 Amps
<b>Voltage Rating:</b>	150 Volts AC
<b>DWV:</b>	1000 VAC, 60 Hz. 1 min.

## Mechanical

<b>Insertion Force:</b>	4 contacts: 1.8 Kgf Max 6 contacts: 2.1 Kgf Max 8 contacts: 2.3 Kgf Max 10 contacts: 2.5Kgf Max
<b>Pull Retention Force:</b>	20 lbs min.
<b>Durability:</b>	750 mating & unmating cycles with 50u"
<b>Recommended Soldering Temperature:</b>	Wave soldering peaked at 260°C for 5 secs max.
<b>Operating Temperature:</b>	-40°C to + 85°C
<b>UL File Number:</b>	E136228

## ORDERING INFORMATION



## Didn't find what you were looking for?

Please contact [sales@amphenolcanada.com](mailto:sales@amphenolcanada.com) and let us know what you need.

[Click to Return to Table of Contents](#)



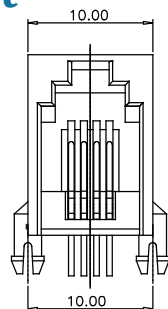
# RJE29

TAB UP, SLIM PROFILE

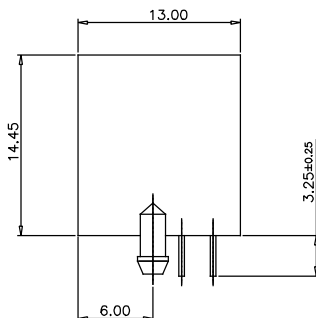
## Single Port

Non-Shielded

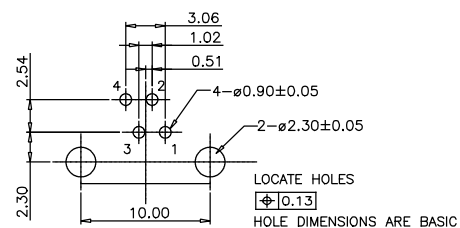
RJE29-144-0X10



FRONT VIEW



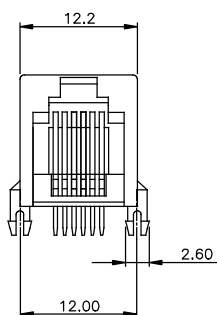
SIDE VIEW



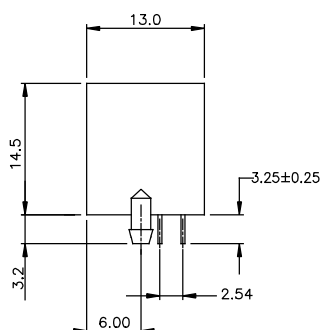
RECOMMENDED PCB LAYOUT

Non-Shielded

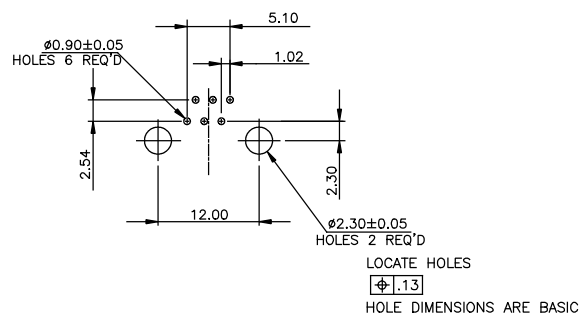
RJE29-166-0X10



FRONT VIEW



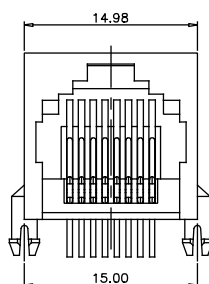
SIDE VIEW



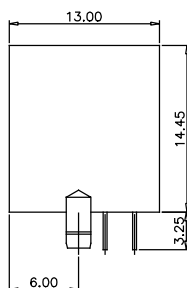
RECOMMENDED PCB LAYOUT

Non-Shielded

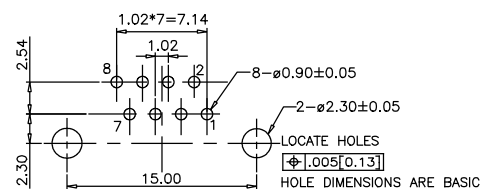
RJE29-188-0X10



FRONT VIEW



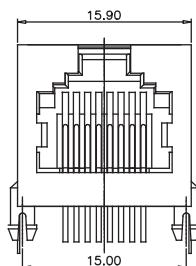
SIDE VIEW



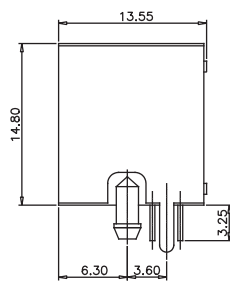
RECOMMENDED PCB LAYOUT

Shielded

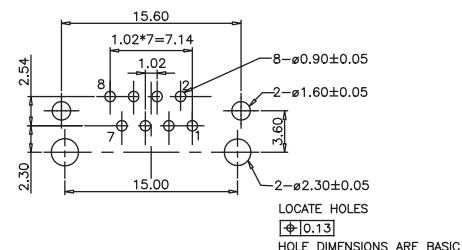
RJE29-188-1X10



FRONT VIEW



SIDE VIEW



RECOMMENDED PCB LAYOUT

## RJE37

TAB UP, SINGLE PORT, LOW PROFILE, WITH LEDs

## TAB UP, SINGLE PORT, LOW PROFILE, WITH LEDs

Single port through-hole (THT) series with multiple shield and LED options. Similar to our single port RJHSE series, but with a slightly lower profile and longer body. Inverted latch orientation for easy mating with industry standard plugs.



## SPECIFICATIONS

## Material

<b>Insulator:</b>	High temp. thermoplastic; Complies with UL 94V-0; Black
<b>Contacts:</b>	Phosphor bronze hard temper with gold thickness options (6µ", 15µ", 30µ", 50µ") over 50µ" min. nickel on contact mating area; 100µ" min. matte tin plating on soldering tail
<b>Shield:</b>	Stainless steel with tin dipped tails
<b>LED:</b>	Tin plating on LED tails

## Mechanical

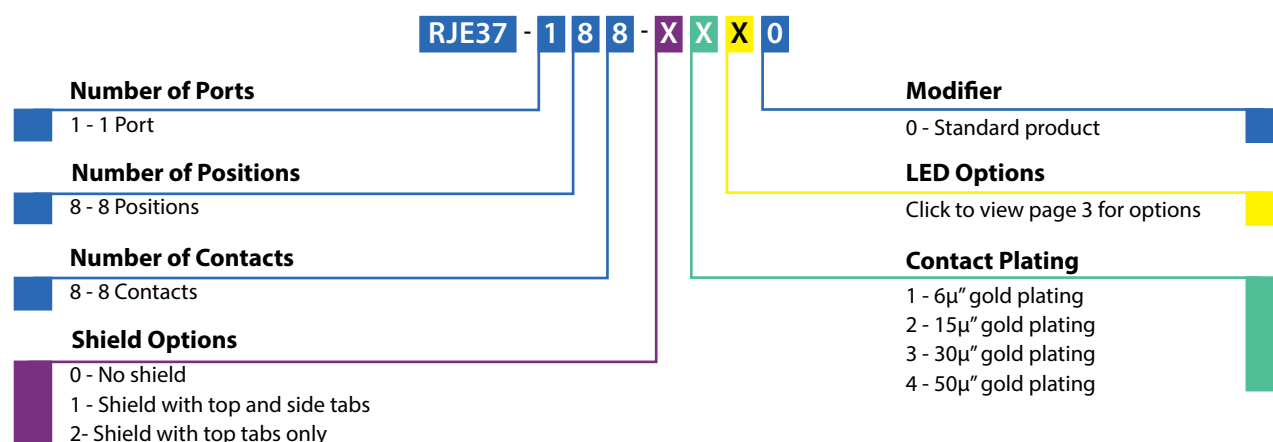
<b>Insertion Force:</b>	5 lbs max.
<b>Pull Retention Force:</b>	20 lbs min.
<b>Durability:</b>	750 mating & unmating cycles
<b>Recommended Soldering Temperature:</b>	Wave soldering peaked at 260°C for 5 secs max.
<b>Operating Temperature:</b>	-55°C to + 85°C
<b>UL File Number:</b>	E135615

Note: Connectors without LEDs are suitable for IR Reflow

## Electrical

<b>Contact Resistance:</b>	20 mΩ max.
<b>Insulation resistance:</b>	500 MΩ min. at 500V DC for 2 mins max.
<b>Current Rating:</b>	1.5 Amps per contact
<b>Voltage Rating:</b>	125 Volts AC
<b>DWV:</b>	1000 VAC, 60 Hz, 1 min.
<b>LED Forward DC Current :</b>	20mA typical
<b>LED Forward Voltage:</b>	2.6 Volts max. at 2mA
<b>LED Reverse Voltage:</b>	5 Volts min.
<b>LED Light Intensity:</b>	0.4 to 1.5 mcd min. at 2mA (for single colours) 0.5 mcd min. at 2mA (for bicolours)
<b>LED Wave Length:</b>	Yellow: 585 ± 7 nm measured at 20mA Green: 568 ± 6 nm measured at 20mA Red: 640 ± 5 nm measured at 20mA

## ORDERING INFORMATION



## Didn't find what you were looking for?

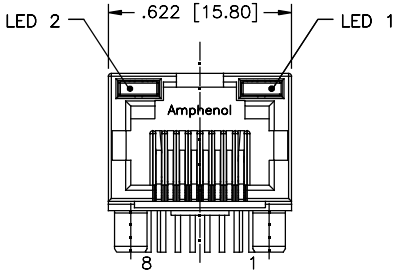
Please contact [sales@amphenolcanada.com](mailto:sales@amphenolcanada.com) and let us know what you need.

← Click to Return to Table of Contents

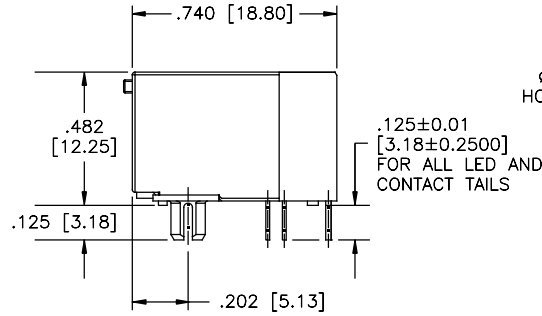
# RJE37

TAB UP, SINGLE PORT, LOW PROFILE, WITH LEDs

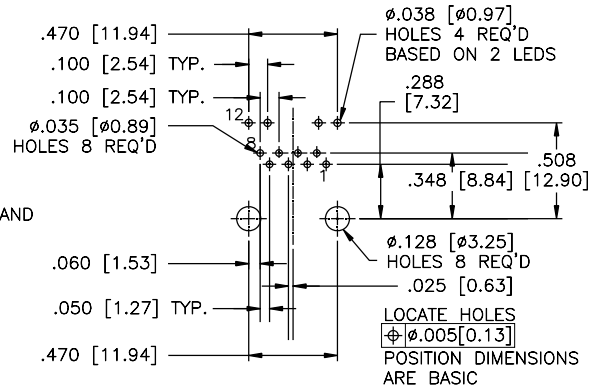
## Single Port Non-Shielded



FRONT VIEW



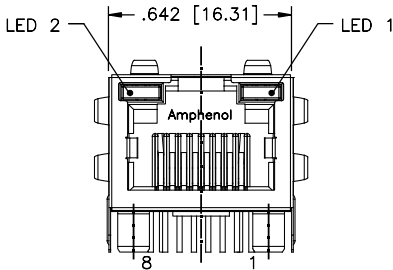
SIDE VIEW



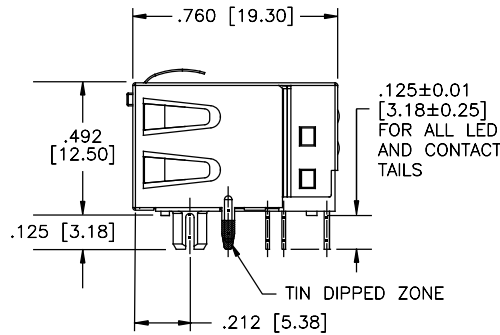
RECOMMENDED PCB LAYOUT

## RJE37-188-0XX0

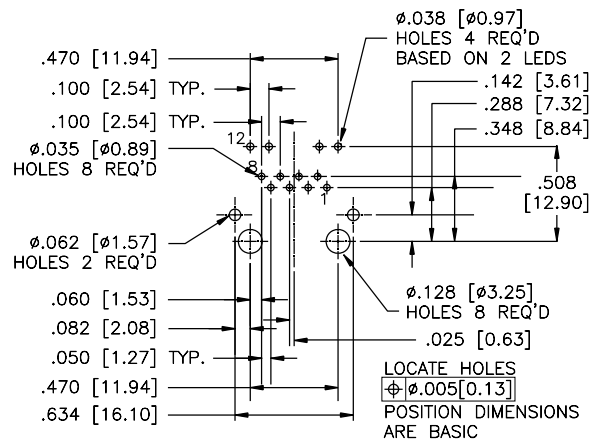
## Shielded - With Full Tabs



FRONT VIEW



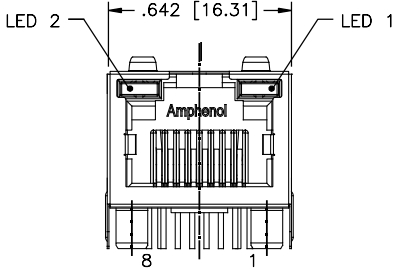
SIDE VIEW



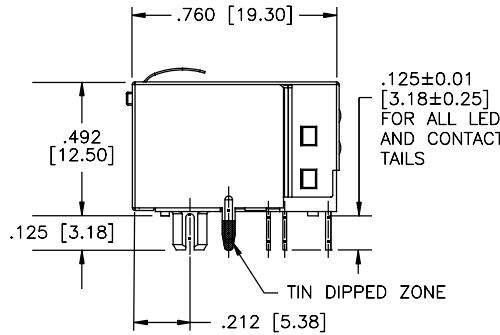
RECOMMENDED PCB LAYOUT

## RJE37-188-1XX0

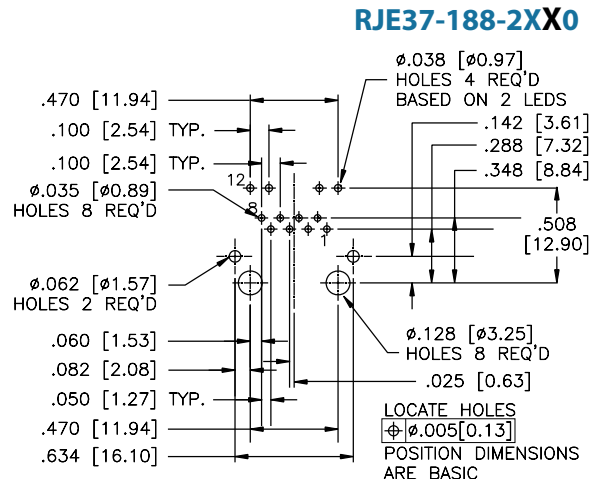
## Shielded - With Top Tabs Only



FRONT VIEW



SIDE VIEW



RECOMMENDED PCB LAYOUT

## RJE37-188-2XX0

## RJE39

TAB UP, NARROW, TWO AND EIGHT PORT

## TAB UP, NARROW, TWO AND EIGHT PORT

Single and eight port through-hole (THT) series with multiple shield and LED options. Similar to the RJHSE series, but with a narrower profile. This series is ideal for programs that need multiple connectors, but have limited PCB space.



## SPECIFICATIONS

## Material

<b>Insulator:</b>	High temp. thermoplastic; Complies with UL 94V-0; Black
<b>Contacts:</b>	Phosphor bronze hard temper with gold thickness options (6 $\mu$ ", 15 $\mu$ ", 30 $\mu$ ", 50 $\mu$ ") over 50 $\mu$ " min. nickel on contact mating area; 100 $\mu$ " min. matte tin plating on soldering tail
<b>Shield:</b>	Stainless steel with tin dipped tails
<b>LED:</b>	Tin plating on LED tails

## Mechanical

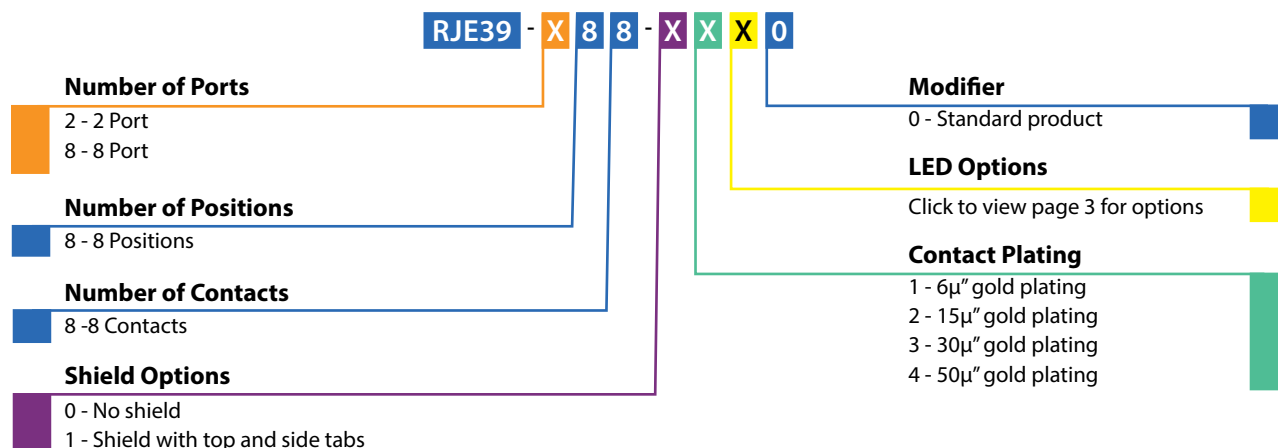
<b>Insertion Force:</b>	5 lbs max.
<b>Pull Retention Force:</b>	20 lbs min.
<b>Durability:</b>	750 mating & unmating cycles
<b>Recommended Soldering Temperature:</b>	Wave soldering peaked at 260°C for 5 secs max.
<b>Operating Temperature:</b>	-55°C to + 85°C
<b>UL File Number:</b>	E135615

Note: Connectors without LEDs are suitable for IR Reflow

## Electrical

<b>Contact Resistance:</b>	20 m $\Omega$ max.
<b>Insulation resistance:</b>	500 M $\Omega$ min. at 500V DC for 2 mins max.
<b>Current Rating:</b>	1.5 Amps per contact
<b>Voltage Rating:</b>	125 Volts AC
<b>DWV:</b>	1000 VAC, 60 Hz. 1 min.
<b>LED Forward DC Current:</b>	20mA typical
<b>LED Forward Voltage:</b>	2.6 Volts max. at 2mA (for single colour)
<b>LED Reverse Voltage:</b>	5 Volts min.
<b>LED Light Intensity:</b>	4.5 to 6.0 mcd min. at 20mA (for single colours)
<b>LED Wave Length:</b>	Yellow: 588 $\pm$ 7 nm measured at 20mA Green: 570 $\pm$ 6 nm measured at 20mA Red: 628 $\pm$ 5 nm measured at 20mA

## ORDERING INFORMATION



## Didn't find what you were looking for?

Please contact [sales@amphenolcanada.com](mailto:sales@amphenolcanada.com) and let us know what you need.

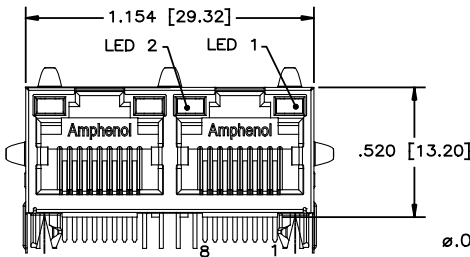
[Click to Return to Table of Contents](#)

# RJE39

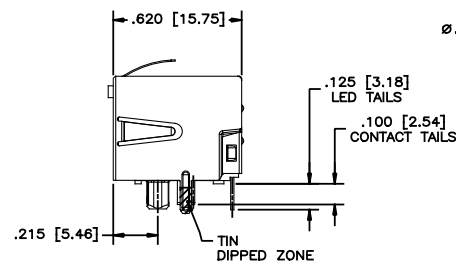
TAB UP, NARROW, TWO AND EIGHT PORT

## Two Port Shielded

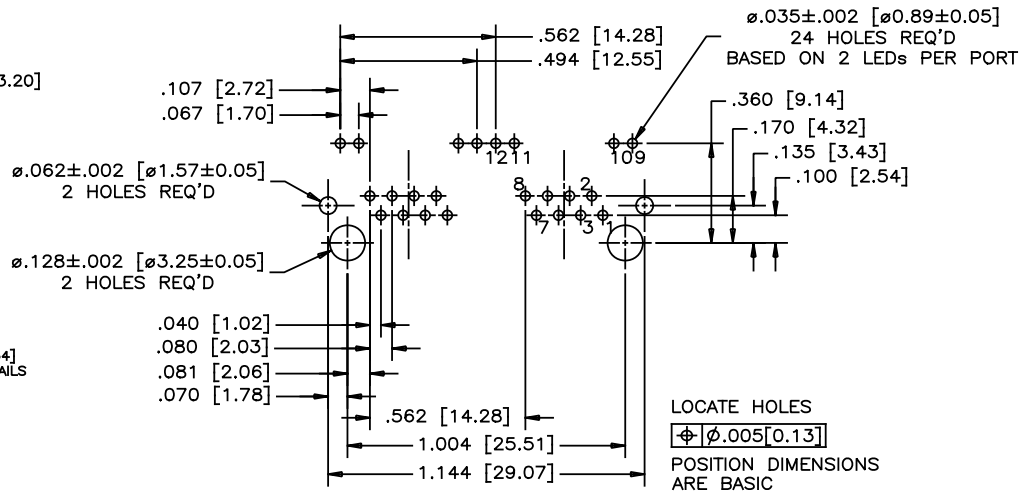
RJE39-288-1XX0



FRONT VIEW



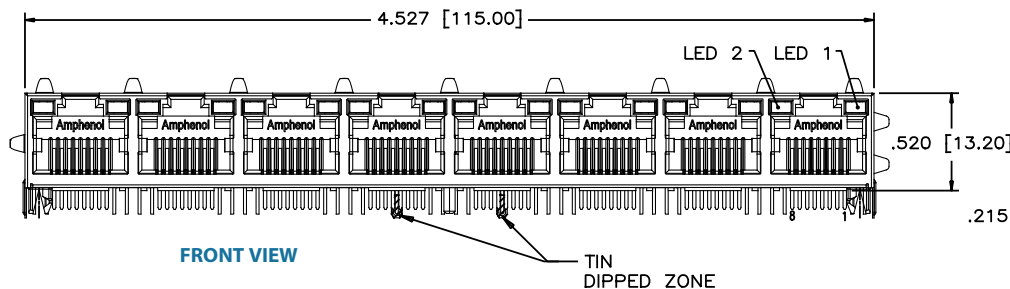
SIDE VIEW



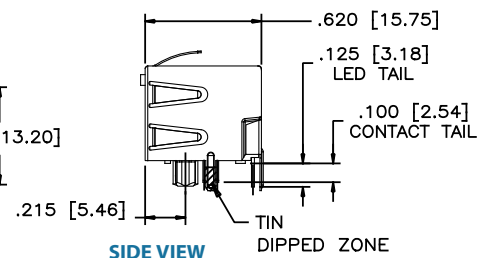
RECOMMENDED PCB LAYOUT

## Eight Port Shielded

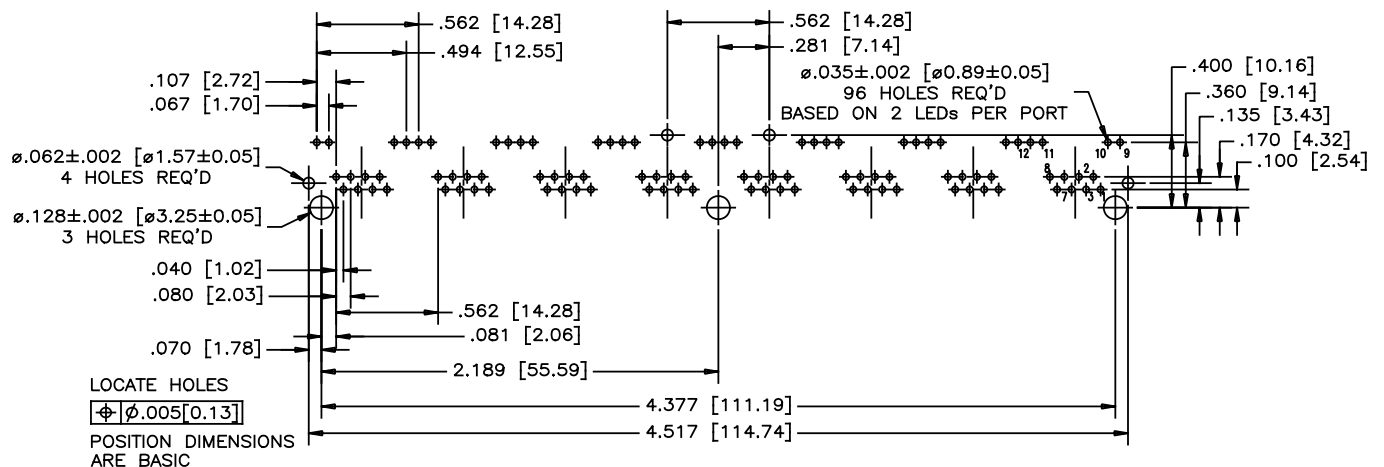
RJE39-888-1XX0



FRONT VIEW



SIDE VIEW



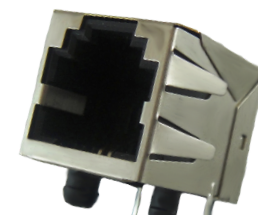
RECOMMENDED PCB LAYOUT

## RJE01

TAB UP, RJ11 (SIX POSITION)

## TAB UP, RJ11 (SIX POSITION)

The RJE01 series of 6-position jacks are designed for superior EMI performance. The inverted connector provides shorter leads, eliminating the EMI antenna effect of the standard connector footprint. Typical performance improvement over their standard connector counterparts is 5-10 dB over the frequency range.



## SPECIFICATIONS

## Material

<b>Insulator:</b>	High temp. thermoplastic; Complies with UL 94V-0; Black
<b>Contacts:</b>	Phosphor bronze hard temper with gold thickness options (6 $\mu$ ", 15 $\mu$ ", 30 $\mu$ ", 50 $\mu$ ") over 50 $\mu$ " min. nickel on contact mating area; 100 $\mu$ " min. matte tin plating on soldering tail
<b>Shield:</b>	Stainless steel with tin dipped tails

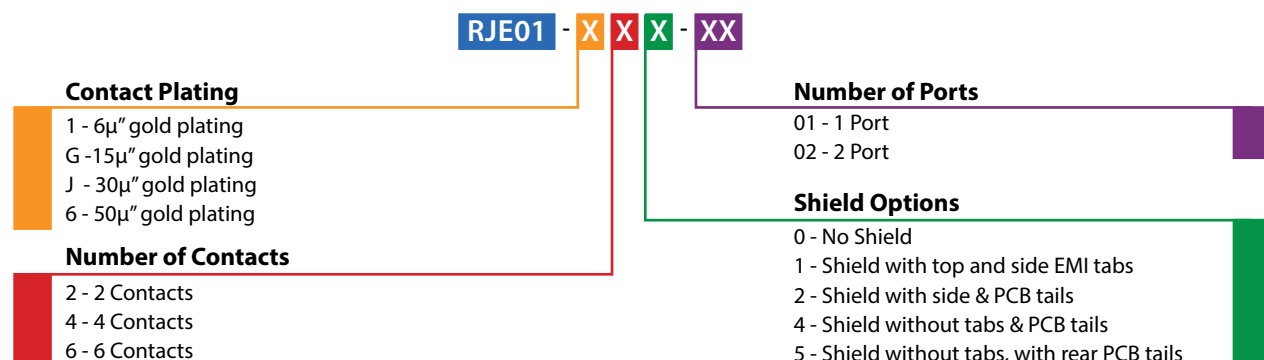
## Electrical

<b>Contact Resistance:</b>	20 m $\Omega$ max.
<b>Insulation resistance:</b>	500 M $\Omega$ min. at 500V DC for 2 mins max.
<b>Current Rating:</b>	1.5 Amps per contact
<b>Voltage Rating:</b>	125 Volts AC
<b>DWV:</b>	1000 VAC, 60 Hz. 1 min.

## Mechanical

<b>Insertion Force:</b>	5 lbs max.
<b>Pull Retention Force:</b>	20 lbs min.
<b>Durability:</b>	750 mating & unmating cycles
<b>Recommended Soldering Temperature:</b>	Wave soldering peaked at 260°C for 5 secs max.
<b>Operating Temperature:</b>	-55°C to + 85°C
<b>UL File #:</b>	E135615
<b>CSA File #:</b>	LR685398

## ORDERING INFORMATION



## Didn't find what you were looking for?

Please contact [sales@amphenolcanada.com](mailto:sales@amphenolcanada.com) and let us know what you need.

[Click to Return to Table of Contents](#)

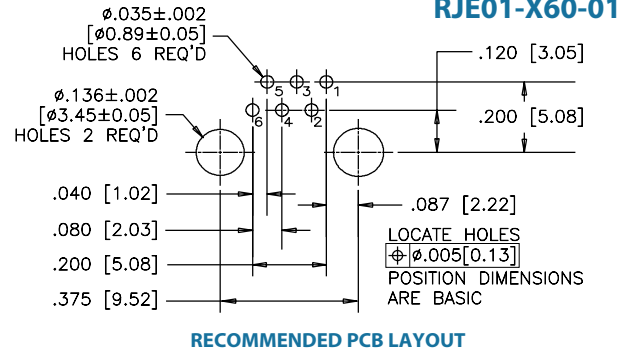
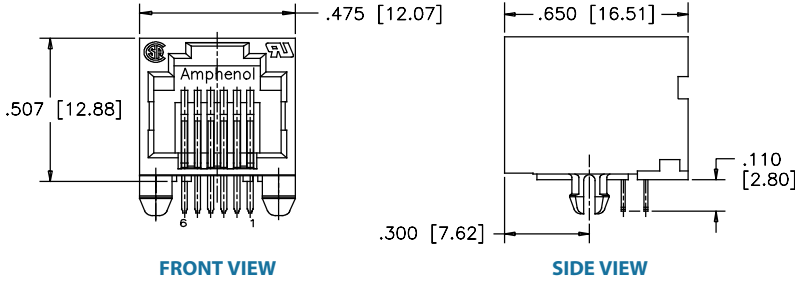


# RJE01

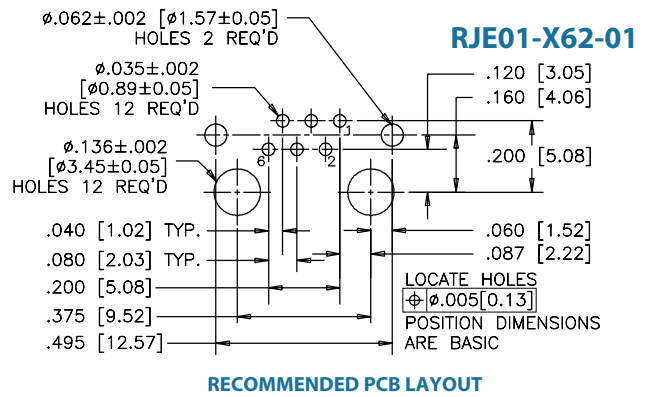
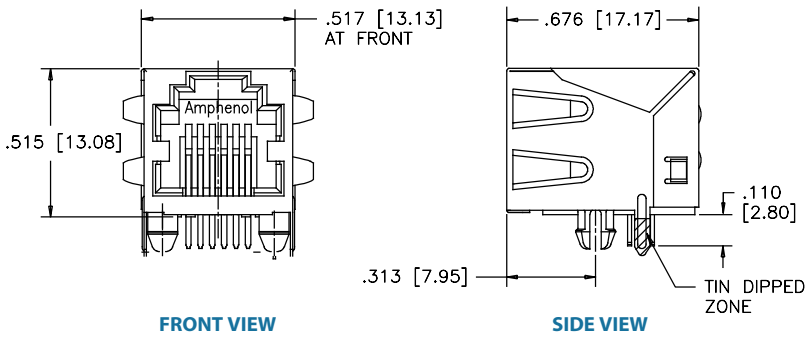
TAB UP, RJ11 (SIX POSITION)

## Single Port

Non-Shielded

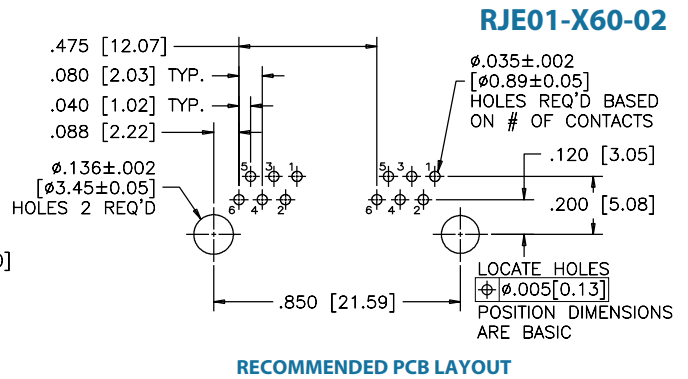
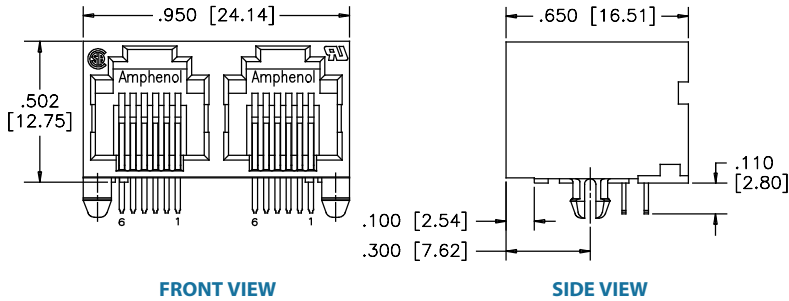


Shielded

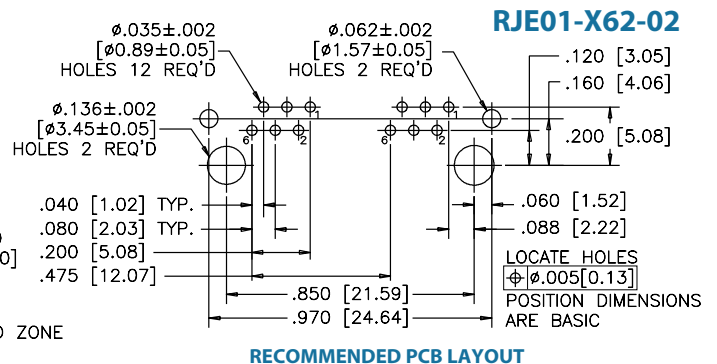
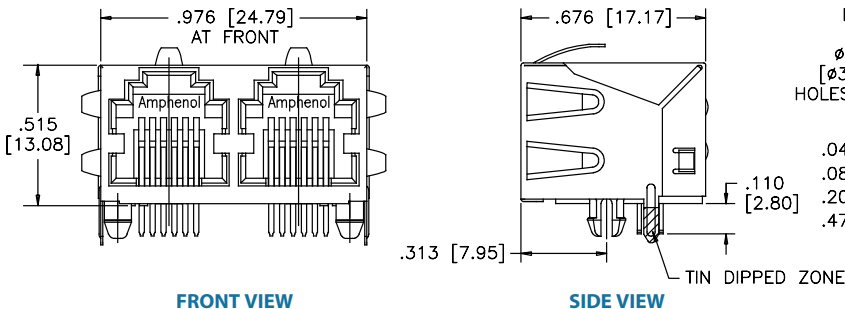


## Multi Port

Non-Shielded

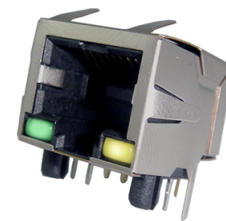


Shielded



## TAB DOWN, 1, 2 AND 4 PORT WITH LEDs

The RJSBE series of modular jacks supports Ethernet Protocols. Shielding is available with or without a ferrite filter for increased EMI performance and LEDs for link activity and network speed verification.



## SPECIFICATIONS

### Material

<b>Insulator:</b>	High temp. thermoplastic; Complies with UL 94V-0; Black
<b>Contacts:</b>	Phosphor bronze hard temper with gold thickness options (6µ", 15µ", 30µ", 50µ") over 50µ" min. nickel on contact mating area; 100µ" min. matte tin plating on soldering tail
<b>Shield:</b>	Copper alloy; nickel plated with tin dipped tails
<b>LED:</b>	Tin plating on LED tails

### Mechanical

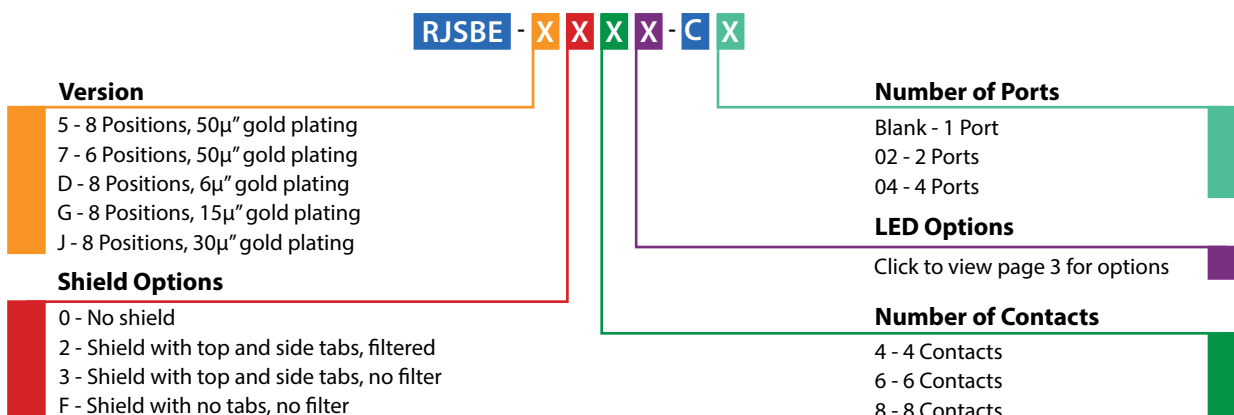
<b>Insertion Force:</b>	5 lbs max.
<b>Pull Retention Force:</b>	20 lbs min.
<b>Durability:</b>	750 mating & unmating cycles
<b>Recommended Soldering Temperature:</b>	Wave soldering peaked at 260°C for 5 secs max.
<b>Operating Temperature:</b>	-55°C to + 85°C
<b>UL File #:</b>	E135615
<b>CSA File #:</b>	LR685398

Note: Connectors without LEDs are suitable for IR Reflow

### Electrical

<b>Contact Resistance:</b>	20 mΩ max.
<b>Insulation resistance:</b>	500 MΩ min. at 500V DC for 2 mins max.
<b>Current Rating:</b>	1.5 Amps per contact
<b>Voltage Rating:</b>	125 Volts AC
<b>DWV:</b>	1000 VAC, 60 Hz. 1 min.
<b>LED Forward DC Current:</b>	20mA typical
<b>LED Forward Voltage:</b>	1.9 Volts max. at 2mA (for single colours) 2.6 Volts max. at 2mA (for bicolours)
<b>LED Reverse Voltage:</b>	5 Volts min.
<b>LED Light Intensity:</b>	0.4 to 1.5 mcd min. at 2mA (for single colours) 0.5 mcd min. at 2mA (for bicolours)
<b>LED Wave Length:</b>	Yellow: 587 ± 7 nm measured at 20mA Green: 565 ± 6 nm measured at 20mA Red: 625 ± 5 nm measured at 20mA

## ORDERING INFORMATION



### Didn't find what you were looking for?

Please contact [sales@amphenolcanada.com](mailto:sales@amphenolcanada.com) and let us know what you need.

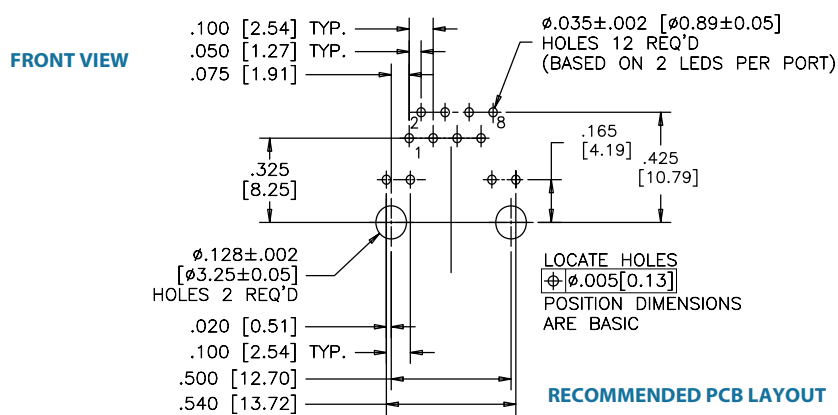
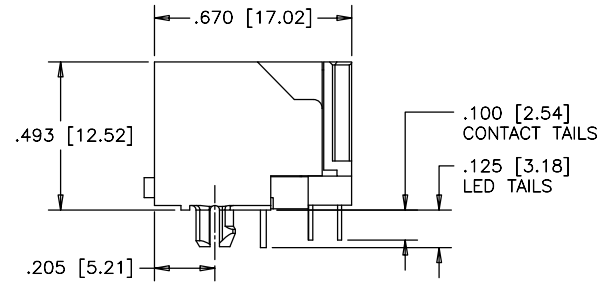
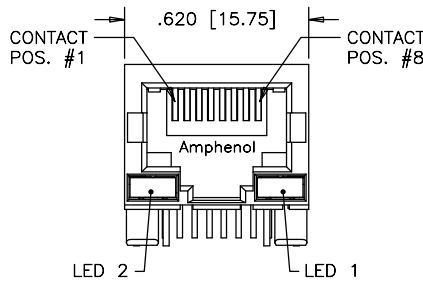
← Click to Return to Table of Contents

# RJSBE

TAB DOWN, 1, 2 AND 4 PORT WITH LEDs

## Single Port Non-Shielded

RJSBE-508X-C1

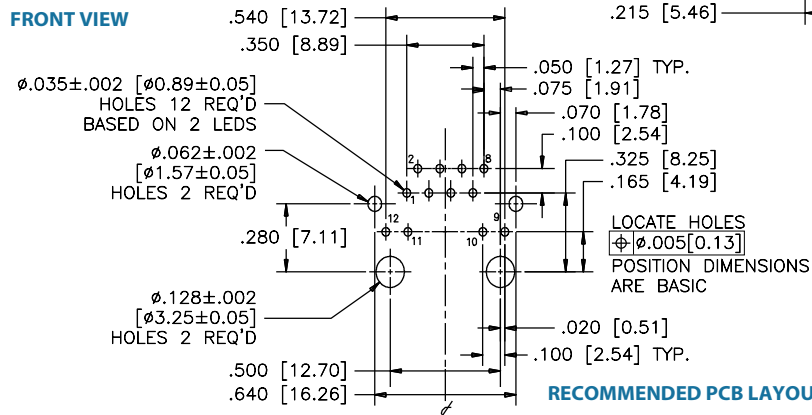
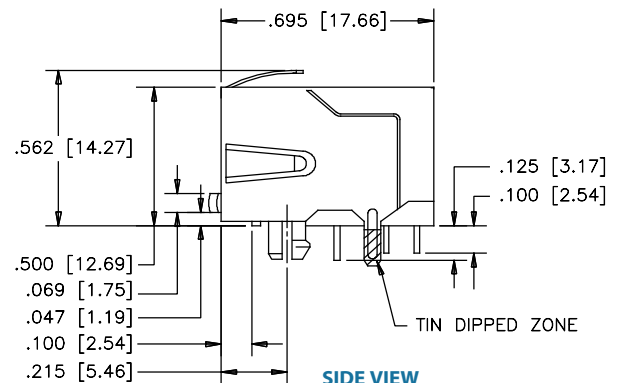
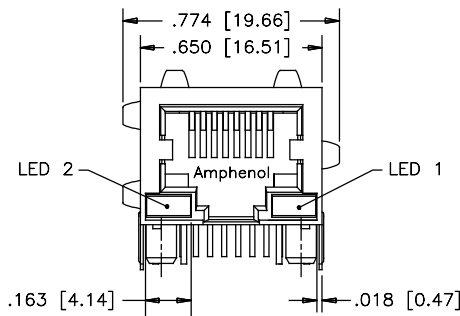


SIDE VIEW

RECOMMENDED PCB LAYOUT

## Shielded

RJSBE-538X-C1



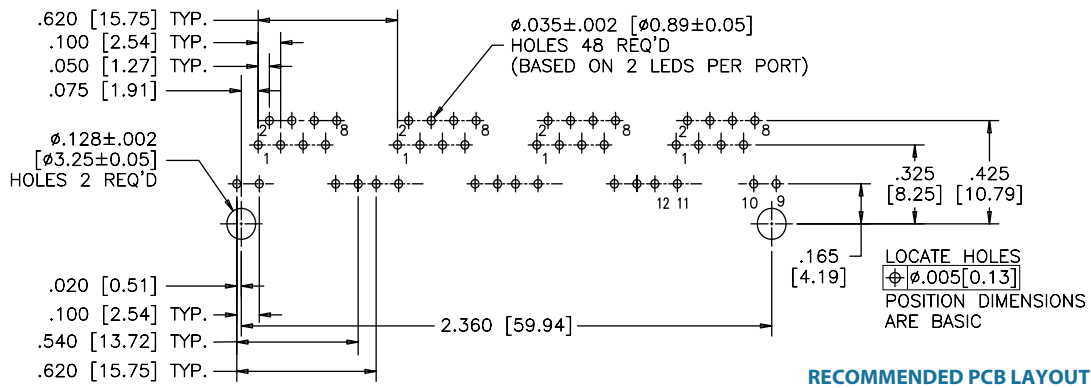
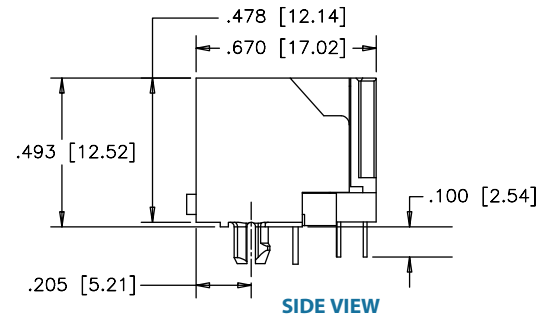
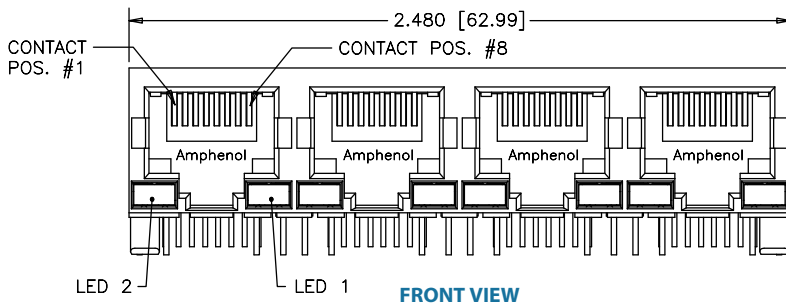
SIDE VIEW

RECOMMENDED PCB LAYOUT

## Multi Port

### Non-Shielded

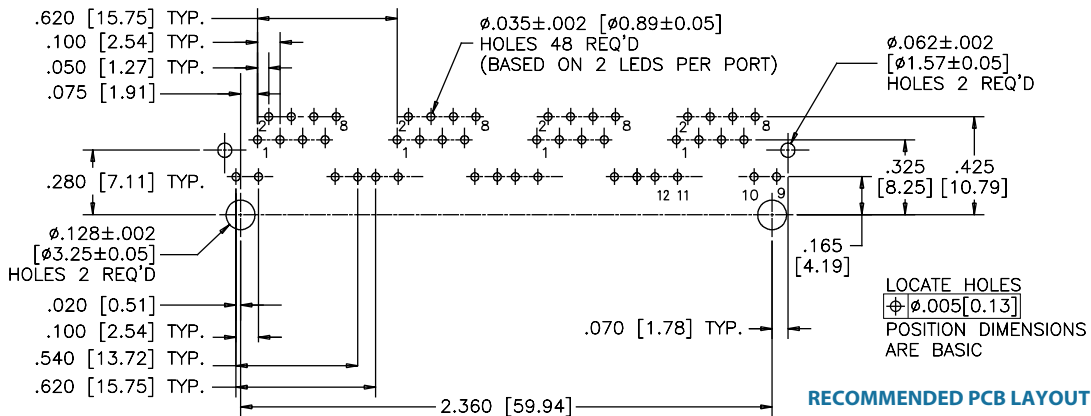
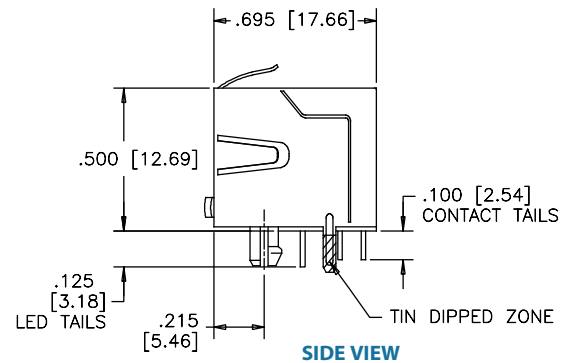
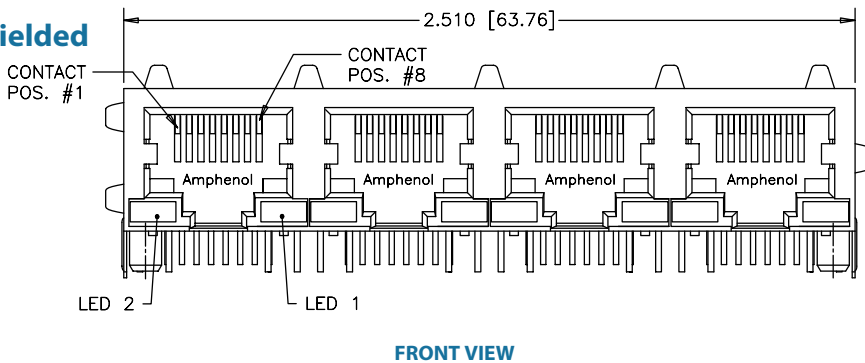
RJSBE-508X-C4



## Multi Port

### Shielded

RJSBE-538X-C4

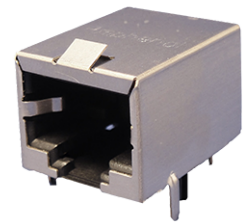


# FRJAE

TAB DOWN, FILTERED AND SHIELDED

## TAB DOWN, FILTERED AND SHIELDED

The FRJAE series of shielded and filtered modular jacks offer low cost and effective EMC control within standard RJ11 & RJ45 connector footprints. EMC control is offered by a completely shielded connector and/or with the use of a high resistivity, high impedance ferrite filter. No board layout changes are required for its use. Simply replace the standard non-filtered connector for superior EMC performance.



## SPECIFICATIONS

### Material

<b>Insulator:</b>	High temp. thermoplastic; Complies with UL 94V-0; Black
<b>Contacts:</b>	Phosphor bronze hard temper with gold thickness options (6 $\mu$ ", 15 $\mu$ ", 30 $\mu$ ", 50 $\mu$ ") over 50 $\mu$ " min. nickel on contact mating area; 100 $\mu$ " min. matte tin plating on soldering tail
<b>Shield:</b>	Copper alloy; nickel plated with tin dipped tails
<b>Filter:</b>	High impedance, high resistivity ferrite filter

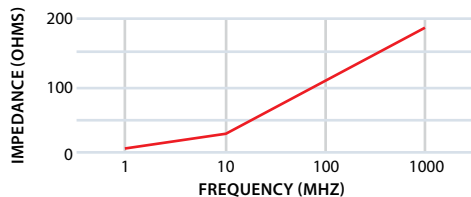
### Electrical

<b>Contact Resistance:</b>	20 m $\Omega$ max.
<b>Insulation resistance:</b>	500 M $\Omega$ min. at 500V DC for 2 mins max.
<b>Current Rating:</b>	1.5 Amps per contact
<b>Voltage Rating:</b>	125 Volts AC
<b>DWV:</b>	1000 VAC, 60 Hz. 1 min.

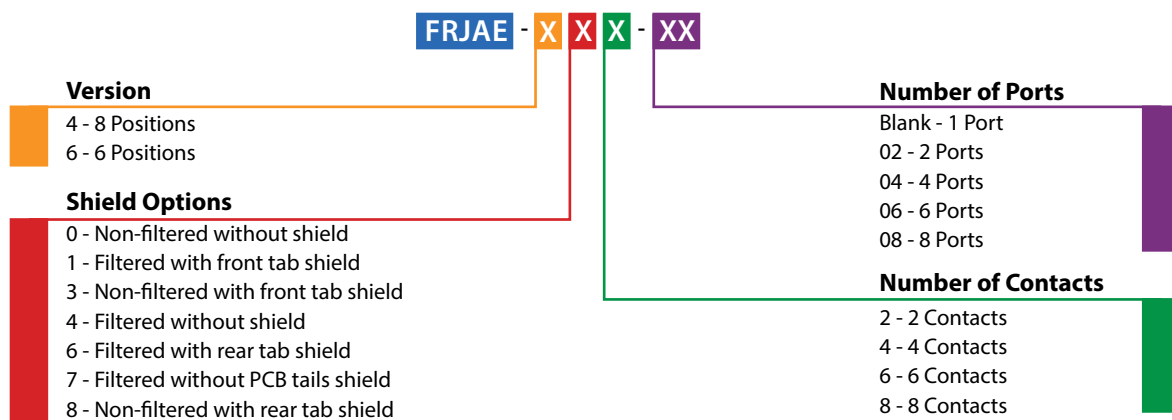
### Mechanical

<b>Insertion Force:</b>	5 lbs max.
<b>Pull Retention Force:</b>	20 lbs min.
<b>Durability:</b>	750 mating & unmating cycles
<b>Recommended Soldering Temperature:</b>	Wave soldering peaked at 260 $^{\circ}$ C for 5 secs max.
<b>Operating Temperature:</b>	-55 $^{\circ}$ C to +85 $^{\circ}$ C
<b>UL File #:</b>	E135615
<b>CSA File #:</b>	LR68598

### IMPEDANCE CHARACTERISTICS



## ORDERING INFORMATION



Didn't find what you were looking for?

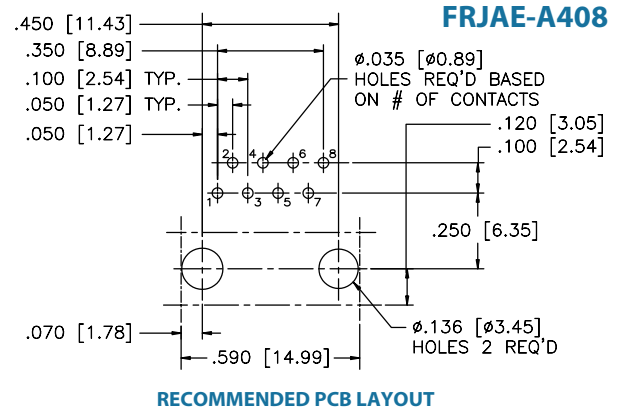
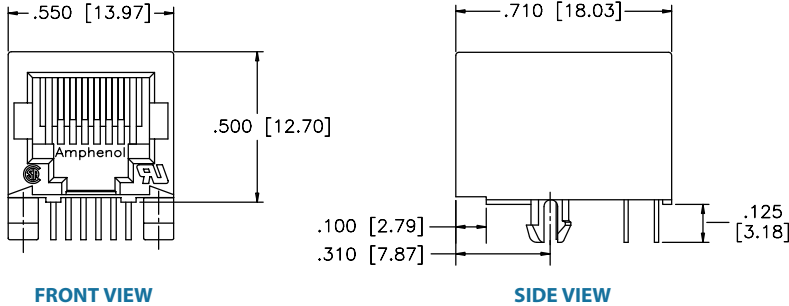
Please contact [sales@amphenolcanada.com](mailto:sales@amphenolcanada.com) and let us know what you need.

[Click to Return to Table of Contents](#)

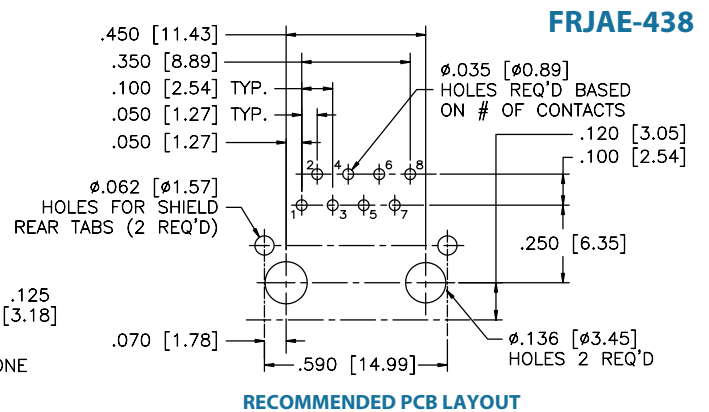
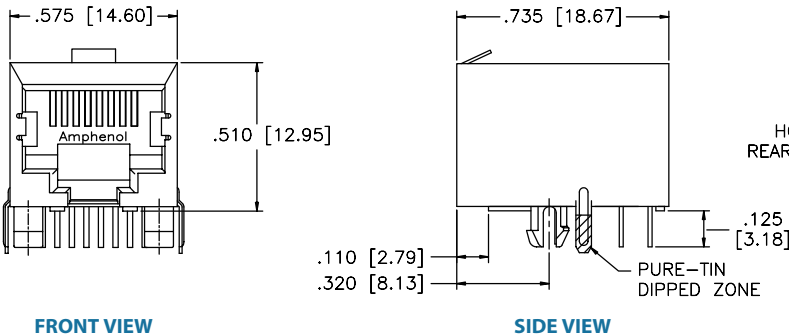
# FRJAE

TAB DOWN, FILTERED AND SHIELDED

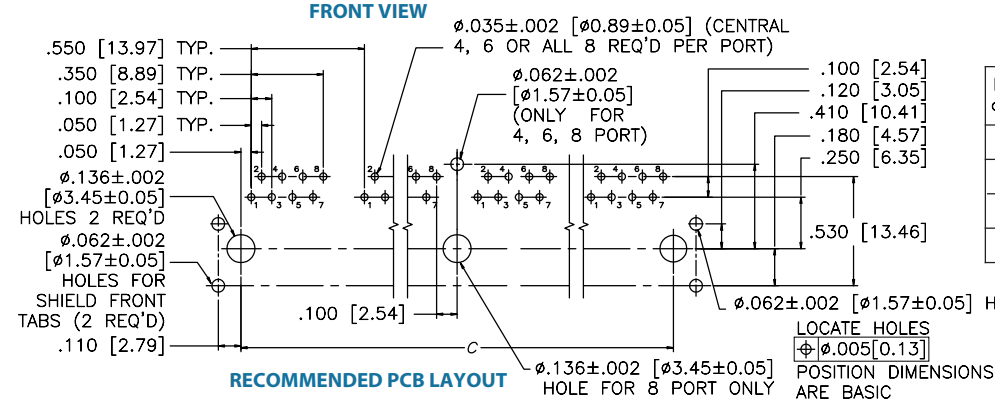
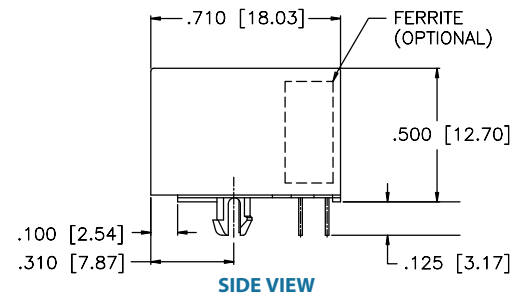
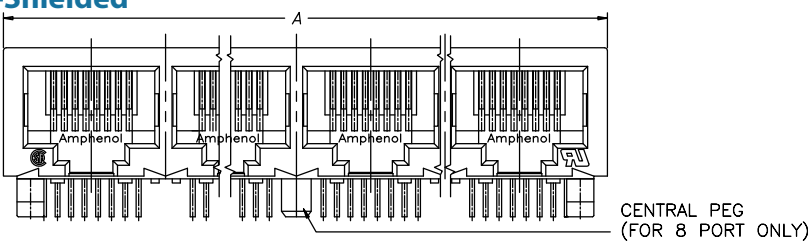
## Single Port Non-Shielded



## Shielded



## Multi Port Non-Shielded



Number of ports	A	C
2	1.200 [30.48]	1.000 [25.40]
4	2.300 [58.42]	2.100 [53.34]
6	3.400 [86.36]	3.200 [81.28]
8	4.500 [114.30]	4.300 [109.22]

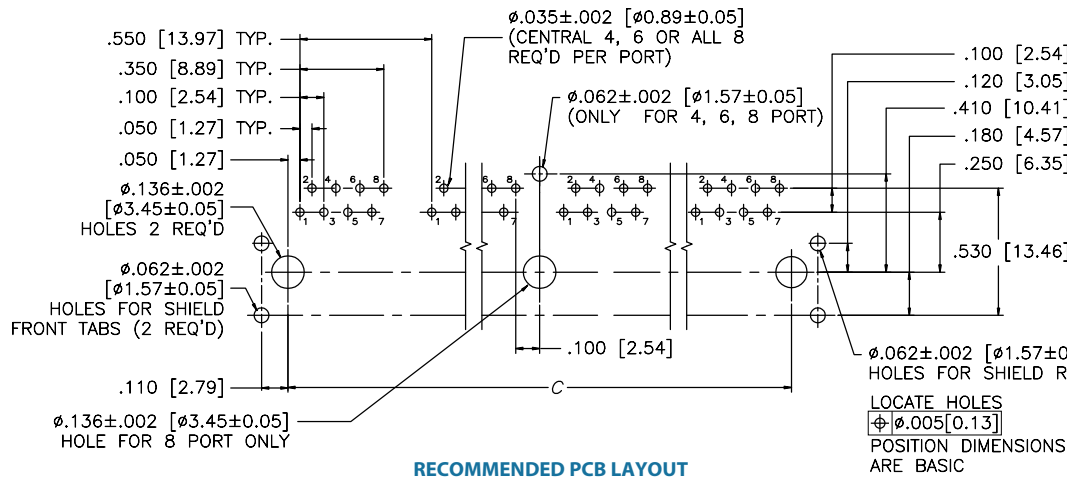
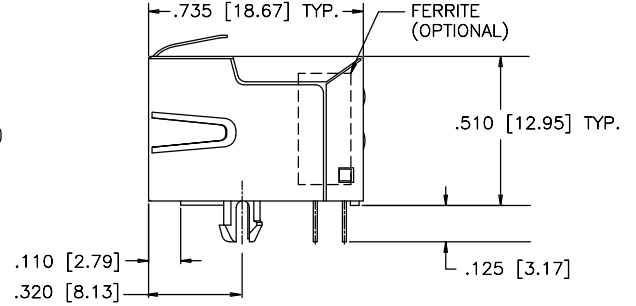
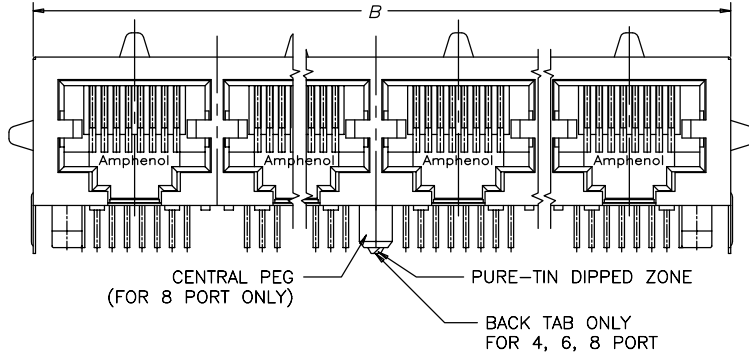


# FRJAE

TAB DOWN, FILTERED AND SHIELDED

## Multi Port Shielded

FRJAE-418-0X



Number of ports	B	C
2	1.230 [31.24]	1.000 [25.40]
4	2.330 [59.18]	2.100 [53.34]
6	3.430 [87.12]	3.200 [81.28]
8	4.530 [115.06]	4.300 [109.22]

### Notes

## RJE02

TAB DOWN, SINGLE PORT, HIGH PROFILE

## TAB DOWN, SINGLE PORT, HIGH PROFILE

RJE02 series is a group of products within a family of standard modular jacks designed to meet requirements for a variety of applications options within the RJE02 family include options with and without a panel stops, and RJ11 & RJ45 configurations.



## SPECIFICATIONS

## Material

<b>Insulator:</b>	High temp. thermoplastic; Complies with UL 94V-0; Black
<b>Contacts:</b>	Phosphor bronze hard temper with gold thickness options (6 $\mu$ " , 15 $\mu$ " , 30 $\mu$ " , 50 $\mu$ " ) over 50 $\mu$ " min. nickel on contact mating area; 100 $\mu$ " min. matte tin plating on soldering tail
<b>Shield:</b>	Copper alloy; nickel plated with tin dipped tail

## Electrical

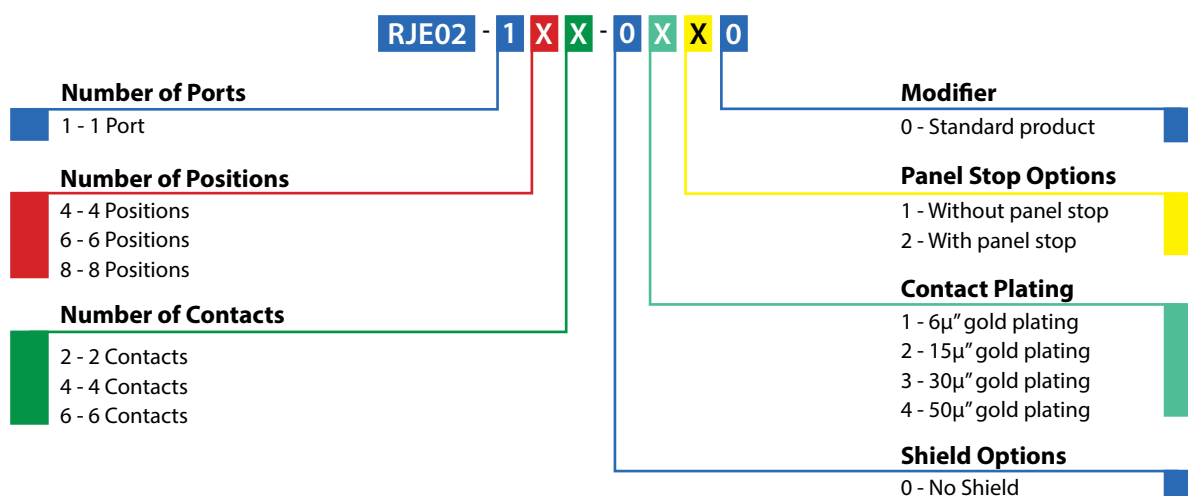
<b>Contact Resistance:</b>	20 m $\Omega$ max.
<b>Insulation resistance:</b>	500 M $\Omega$ min. at 500V DC for 2 mins max.
<b>Current Rating:</b>	1.5 Amps per contact
<b>Voltage Rating:</b>	125 Volts AC
<b>DWV:</b>	1500 VAC, 60 Hz. 1 min.

## Mechanical

<b>Insertion Force:</b>	5 lbs max.
<b>Pull Retention Force:</b>	20 lbs min.
<b>Durability:</b>	750 mating & unmating cycles
<b>Recommended Soldering Temperature:</b>	Wave soldering peaked at 260 $^{\circ}$ C for 5 secs max.
<b>Operating Temperature:</b>	- 40 $^{\circ}$ C to + 85 $^{\circ}$ C
<b>UL File Number:</b>	E136228

Note: Connectors with high temp. material are suitable for IR Reflow

## ORDERING INFORMATION



## Didn't find what you were looking for?

Please contact [sales@amphenolcanada.com](mailto:sales@amphenolcanada.com) and let us know what you need.

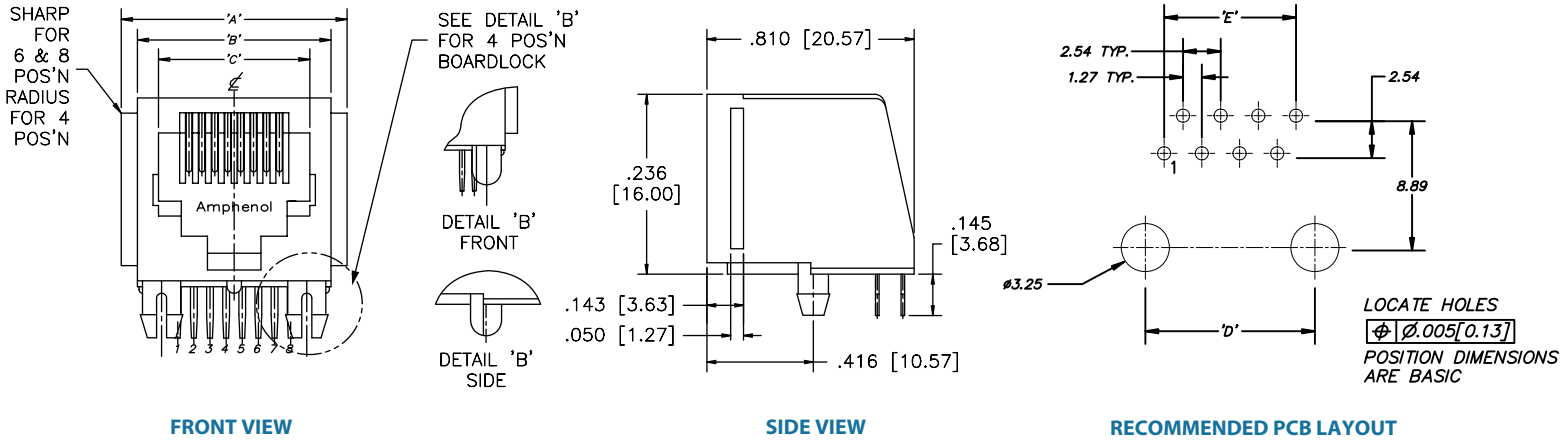
[Click to Return to Table of Contents](#)

# RJE02

TAB DOWN, SINGLE PORT, HIGH PROFILE

## Single Port Non-Shielded

RJE02-1XX-0X20



Part #	No. of Positions	No. of Contacts	Dimensions				
			A	B	C	D	E
RJE02-142-0X20	4	2	.540 [13.72]	.440 [11.18]	.309 [7.85]	.300 [7.62]	.050 [1.27]
RJE02-144-0X20	4	4	.540 [13.72]	.440 [11.18]	.309 [7.85]	.300 [7.62]	.150 [3.81]
RJE02-162-0X20	6	2	.620 [15.75]	.520 [13.21]	.389 [9.88]	.400 [10.16]	.050 [1.27]
RJE02-164-0X20	6	4	.620 [15.75]	.520 [13.21]	.389 [9.88]	.400 [10.16]	.150 [3.81]
RJE02-166-0X20	6	6	.620 [15.75]	.520 [13.21]	.389 [9.88]	.400 [10.16]	.150 [3.81]
RJE02-188-0X20	8	8	.700 [17.78]	.600 [15.24]	.469 [11.91]	.450 [11.43]	.350 [8.89]

### Notes

## RJE03

TAB DOWN, SINGLE PORT, LOW PROFILE

## TAB DOWN, SINGLE PORT, LOW PROFILE

RE03 series is a group of products within a family of standard modular jacks designed to meet requirements for a variety of applications. Options within the RJE03 family include shielded and non-shielded, and RJ11 & RJ45 configurations.



## SPECIFICATIONS

## Material

<b>Insulator:</b>	High temp. thermoplastic; Complies with UL 94V-0; Black
<b>Contacts:</b>	Phosphor bronze hard temper with gold thickness options (6 $\mu$ " , 15 $\mu$ " , 30 $\mu$ " , 50 $\mu$ " ) over 50 $\mu$ " min. nickel on contact mating area; 100 $\mu$ " min. matte tin plating on soldering tail
<b>Shield:</b>	Copper alloy; nickel plated with tin dipped tail

## Electrical

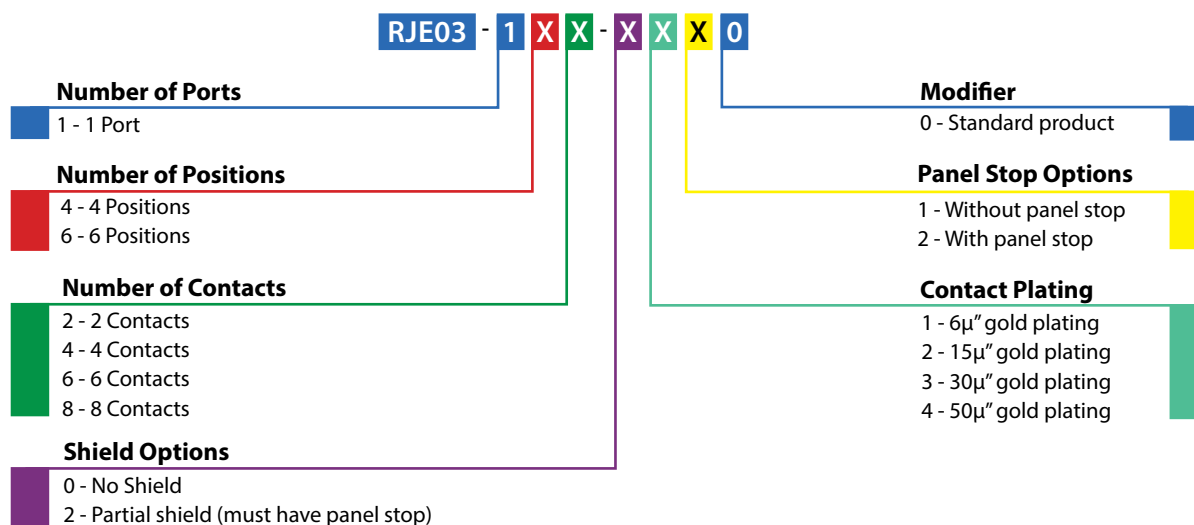
<b>Contact Resistance:</b>	20 m $\Omega$ max.
<b>Insulation resistance:</b>	500 M $\Omega$ min. at 500V DC for 2 mins max.
<b>Current Rating:</b>	1.5 Amps per contact
<b>Voltage Rating:</b>	125 Volts AC
<b>DWV:</b>	1000 VAC, 60 Hz. 1 min.

## Mechanical

<b>Insertion Force:</b>	5 lbs max.
<b>Pull Retention Force:</b>	20 lbs min.
<b>Durability:</b>	750 mating & unmating cycles
<b>Recommended Soldering Temperature:</b>	Wave soldering peaked at 260°C for 5 secs max.
<b>Operating Temperature:</b>	- 40°C to + 85°C
<b>UL File Number:</b>	E136228

Note: Connectors with high temp. material are suitable for IR Reflow

## ORDERING INFORMATION



## Didn't find what you were looking for?

Please contact [sales@amphenolcanada.com](mailto:sales@amphenolcanada.com) and let us know what you need.

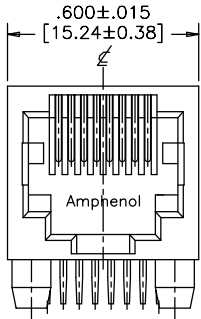
← [Click to Return to Table of Contents](#)

# RJE03

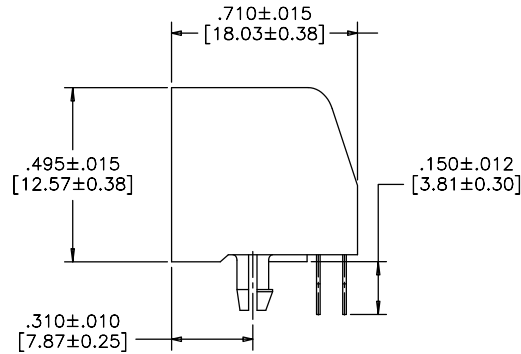
TAB DOWN, SINGLE PORT, LOW PROFILE

## Single Port Non-Shielded

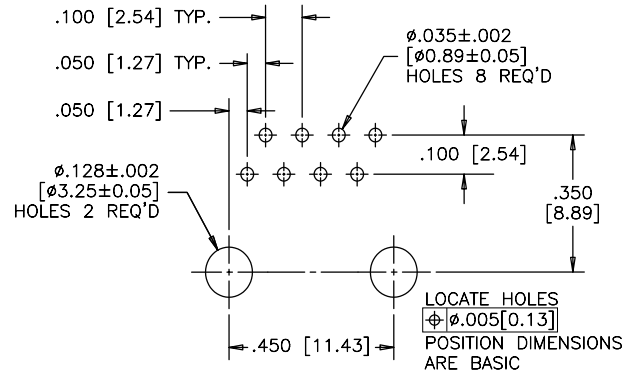
RJE03-188-0X10



FRONT VIEW



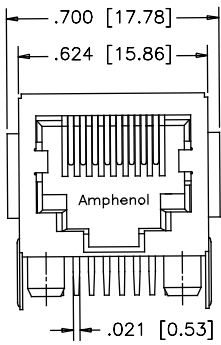
SIDE VIEW



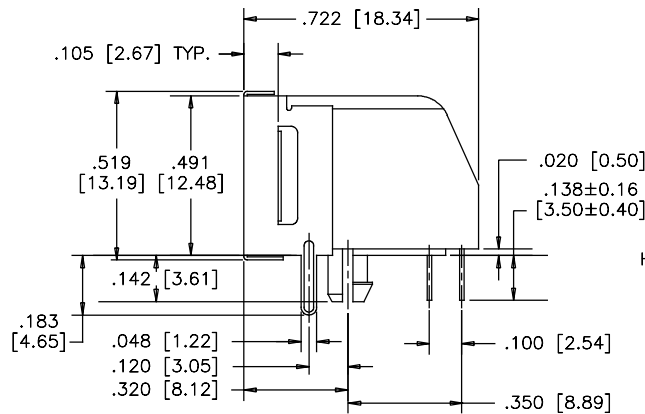
RECOMMENDED PCB LAYOUT

## Shielded with Panel Stop

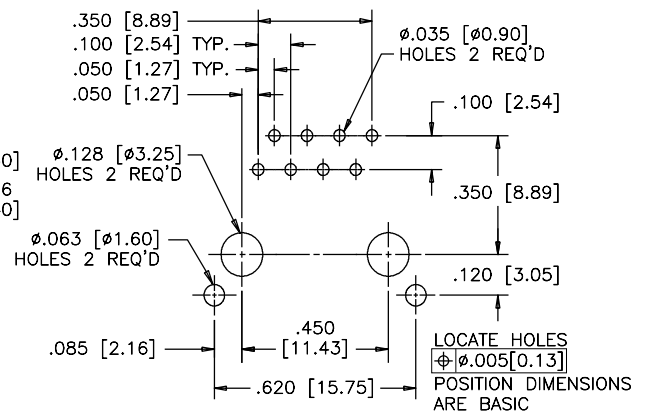
RJE03-188-2X20



FRONT VIEW



SIDE VIEW



RECOMMENDED PCB LAYOUT

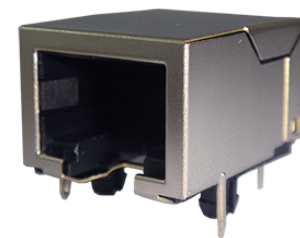
## Notes

## RJE05

TAB DOWN, ULTRA LOW PROFILE

## TAB DOWN, ULTRA LOW PROFILE

RJE05 series is a group of products within a family of standard modular jacks designed to meet requirements for a variety of applications. Options within the RJE05 family include shielded or non-shielded, and RJ11 & RJ45 configurations.



## SPECIFICATIONS

## Material

<b>Insulator:</b>	High temp. thermoplastic; Complies with UL 94V-0; Black
<b>Contacts:</b>	Phosphor bronze hard temper with gold thickness options (6 $\mu$ ", 15 $\mu$ ", 30 $\mu$ ", 50 $\mu$ ") over 50 $\mu$ " min. nickel on contact mating area; 100 $\mu$ " min. matte tin plating on soldering tail
<b>Shield:</b>	Copper alloy; nickel plated with tin dipped tail

## Electrical

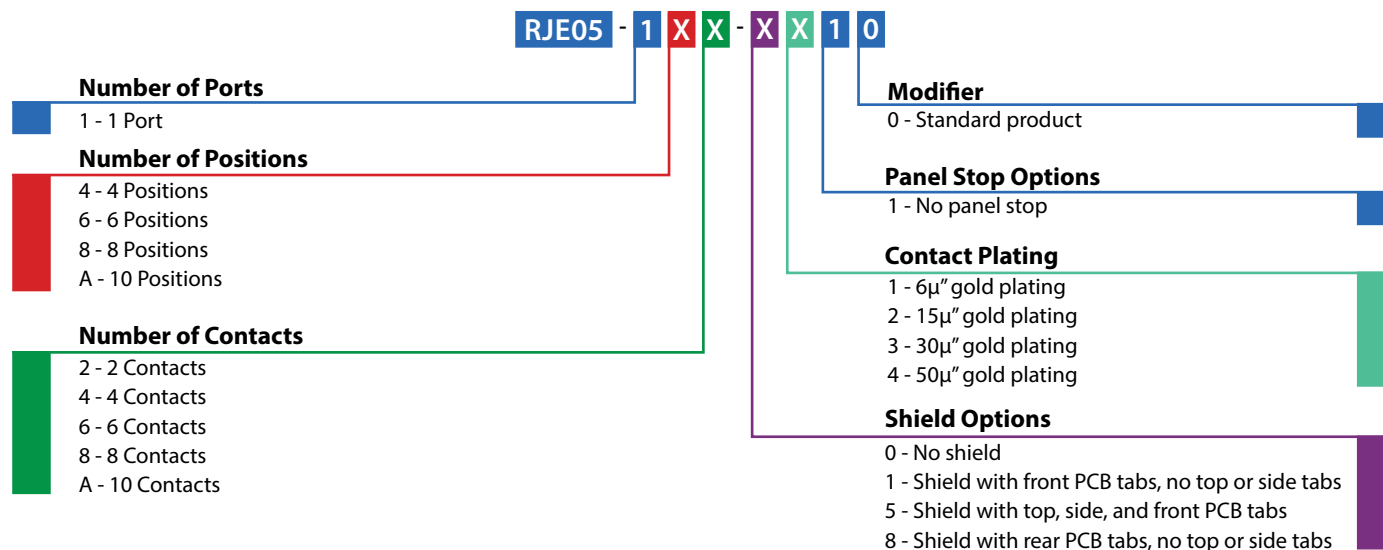
<b>Contact Resistance:</b>	20 m $\Omega$ max.
<b>Insulation resistance:</b>	500 M $\Omega$ min. at 500V DC for 2 mins max.
<b>Current Rating:</b>	1.5 Amps per contact
<b>Voltage Rating:</b>	125 Volts AC
<b>DWV:</b>	1000 VAC, 60 Hz. 1 min.

## Mechanical

<b>Insertion Force:</b>	5 lbs max.
<b>Pull Retention Force:</b>	20 lbs min.
<b>Durability:</b>	750 mating & unmating cycles
<b>Recommended Soldering Temperature:</b>	Wave soldering peaked at 260 $^{\circ}$ C for 5 secs max.
<b>Operating Temperature:</b>	- 40 $^{\circ}$ C to + 85 $^{\circ}$ C
<b>UL File #:</b>	E135615

*Note: Connectors with high temp material are suitable for IR Reflow*

## ORDERING INFORMATION



Didn't find what you were looking for?

Please contact [sales@amphenolcanada.com](mailto:sales@amphenolcanada.com) and let us know what you need.

[Click to Return to Table of Contents](#)

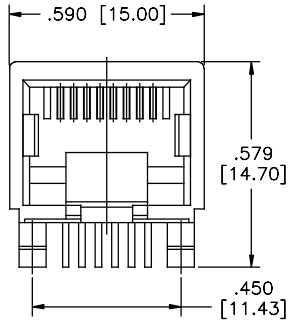


# RJE05

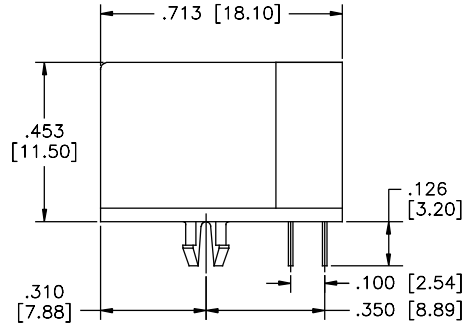
TAB DOWN, ULTRA LOW PROFILE

## Single Port Non-Shielded

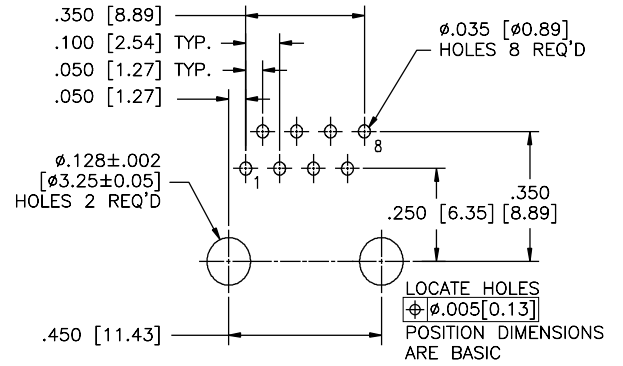
RJE05-188-0X10



FRONT VIEW



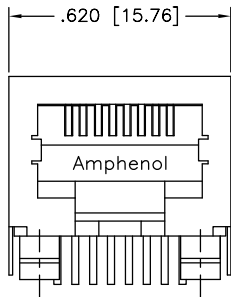
SIDE VIEW



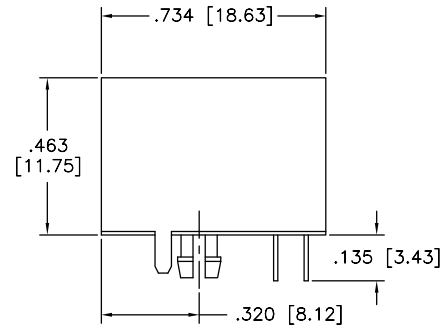
RECOMMENDED PCB LAYOUT

## Shielded with Front PCB Tabs

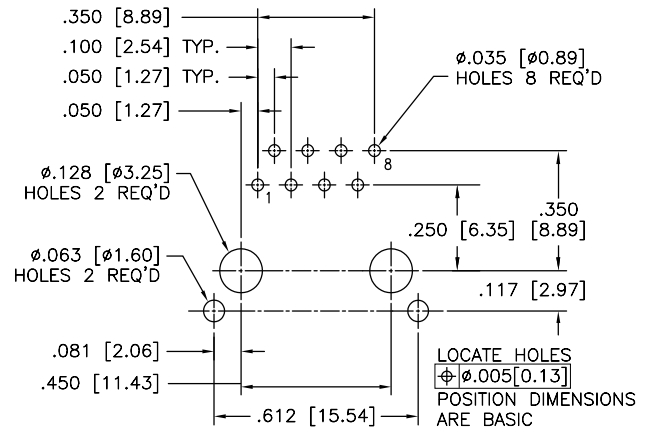
RJE05-188-1X10



FRONT VIEW



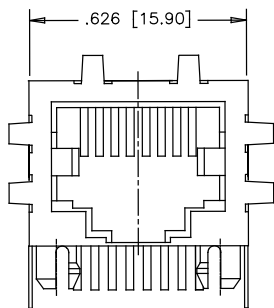
SIDE VIEW



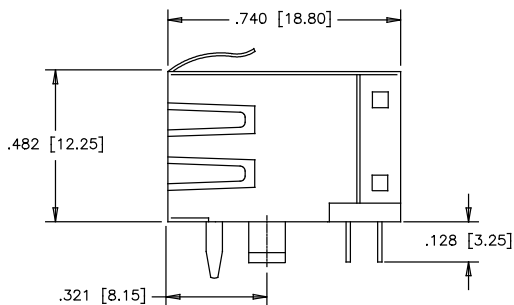
RECOMMENDED PCB LAYOUT

## Shielded with Top, Side, and Front PCB Tabs

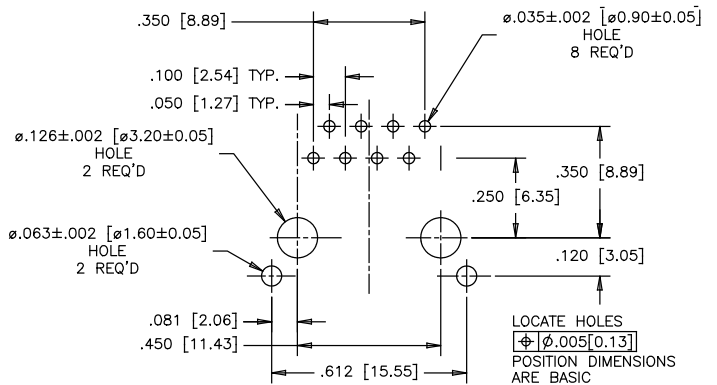
RJE05-188-5X10



FRONT VIEW



SIDE VIEW



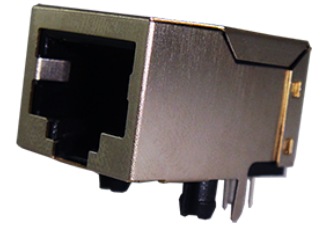
RECOMMENDED PCB LAYOUT

## RJE09

TAB DOWN, STANDARD PROFILE

## TAB DOWN, STANDARD PROFILE

RJE09 series is a group of products within a family of standard modular jacks designed to meet requirements for a variety of applications. Options with the RJE09 family include shielded & non-shielded, and RJ11 & RJ45.



## SPECIFICATIONS

## Material

<b>Insulator:</b>	High temp. thermoplastic; Complies with UL 94V-0; Black
<b>Contacts:</b>	Phosphor bronze hard temper with gold thickness options (6 $\mu$ ", 15 $\mu$ ", 30 $\mu$ ", 50 $\mu$ ") over 50 $\mu$ " min. nickel on contact mating area; 100 $\mu$ " min. matte tin or gold flash plating on soldering tail
<b>Shield:</b>	Copper alloy; nickel plated allover

## Electrical

<b>Contact Resistance:</b>	20 m $\Omega$ max.
<b>Insulation resistance:</b>	500 M $\Omega$ min. at 500V DC for 2 mins max.
<b>Current Rating:</b>	1.5 Amps per contact
<b>Voltage Rating:</b>	125 Volts AC
<b>DWV:</b>	1000 VAC, 60 Hz. 1 min.

## Mechanical

<b>Insertion Force:</b>	5 lbs max.
<b>Pull Retention Force:</b>	20 lbs min.
<b>Durability:</b>	750 mating & unmating cycles
<b>Recommended Soldering Temperature:</b>	Wave soldering peaked at 260 $^{\circ}$ C for 5 to 8 secs max.
<b>Operating Temperature:</b>	- 40 $^{\circ}$ C to + 70 $^{\circ}$ C
<b>UL File #:</b>	E136228

## ORDERING INFORMATION

RJE09 - X X X - X X X 0

## Number of Ports

- 1 - 1 Port
- 2 - 2 Ports
- 4 - 4 Ports
- 6 - 6 Ports
- 8 - 8 Ports

## Number of Positions

- 6 - 6 Positions
- 8 - 8 Positions
- A - 10 Positions

## Number of Contacts

- 4 - 4 Contacts
- 6 - 6 Contacts
- 8 - 8 Contacts
- A - 10 Contacts

## Modifier

- 0 - Standard product

## Panel Stop Options

- 1 - No panel stop
- 2 - With panel stop

## Contact Plating

- 1 - 6 $\mu$ " gold plating
- 2 - 15 $\mu$ " gold plating
- 3 - 30 $\mu$ " gold plating
- 4 - 50 $\mu$ " gold plating

## Shield Options

- 0 - No shield
- 1 - Shield with rear PCB tabs, no top or side tabs
- 5 - Shield with top, side, and front PCB tabs
- 8 - Shield with front PCB tabs, no top or side tabs

Didn't find what you were looking for?

Please contact [sales@amphenolcanada.com](mailto:sales@amphenolcanada.com) and let us know what you need.

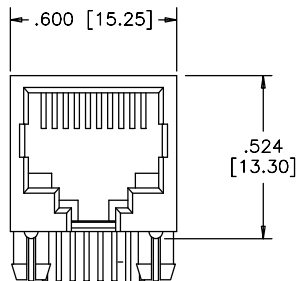
[Click to Return to Table of Contents](#)

# RJE09

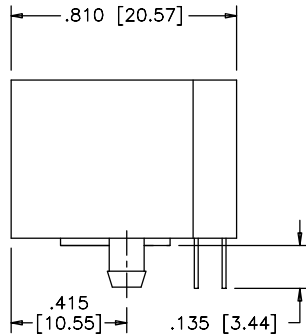
TAB DOWN, STANDARD PROFILE

## Single Port

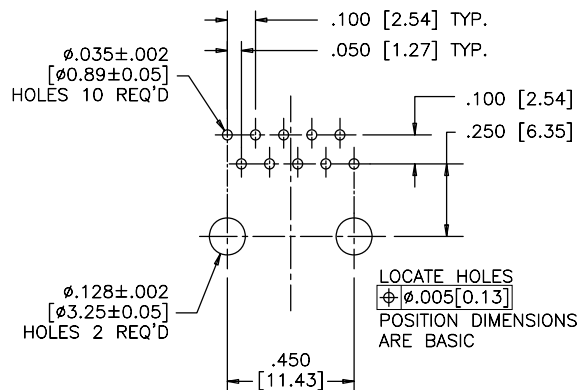
Non-Shielded



FRONT VIEW

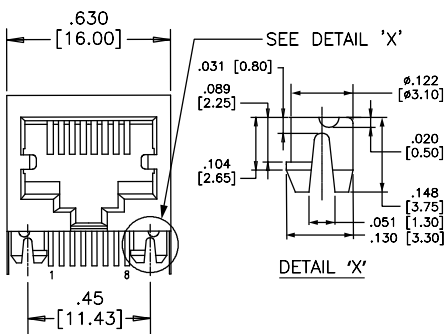


SIDE VIEW

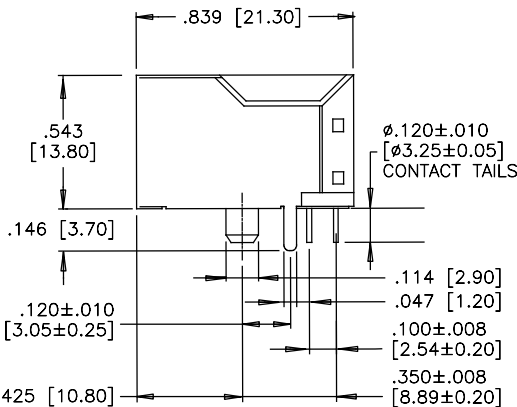


RECOMMENDED PCB LAYOUT

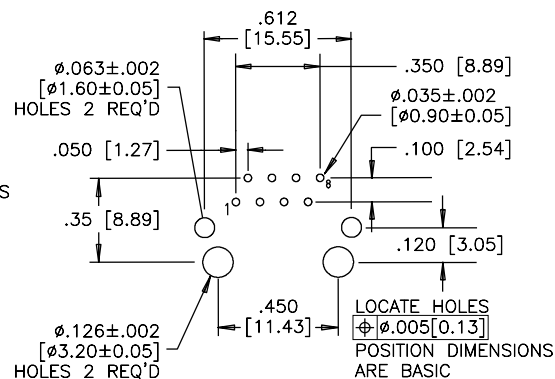
Shielded



FRONT VIEW

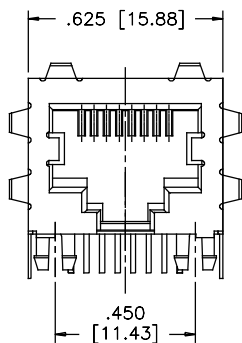


SIDE VIEW

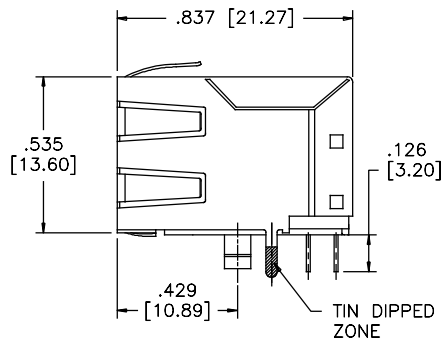


RECOMMENDED PCB LAYOUT

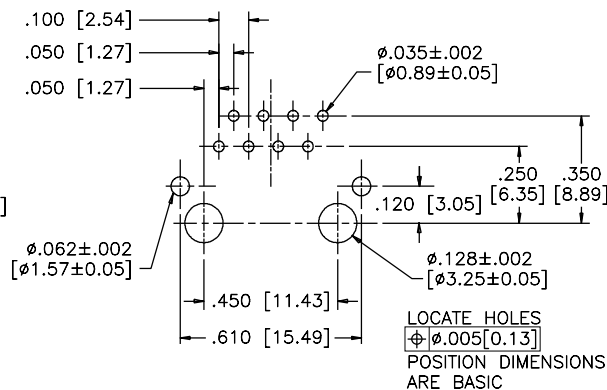
Shielded



FRONT VIEW



SIDE VIEW



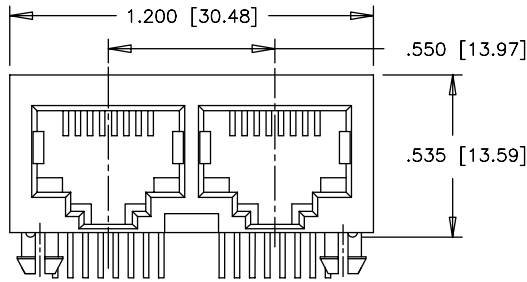
RECOMMENDED PCB LAYOUT

# RJE09

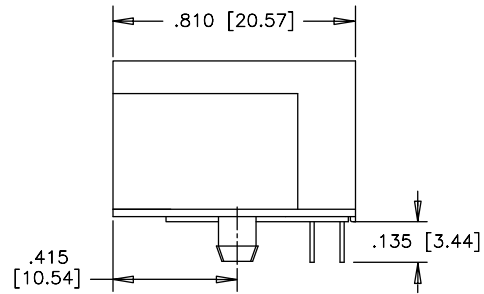
TAB DOWN, STANDARD PROFILE

## Multi Port Non-Shielded

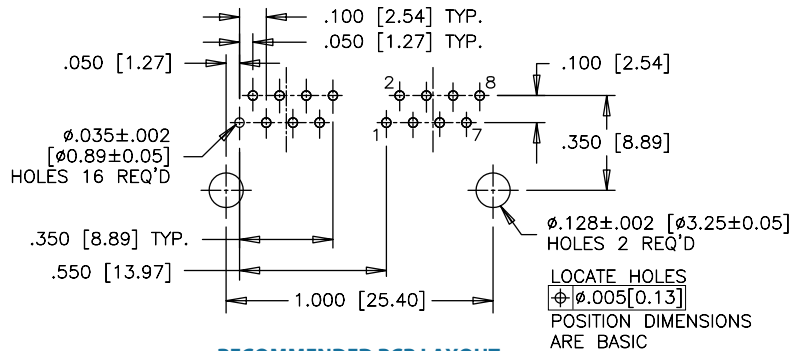
RJE09-288-0X10



FRONT VIEW



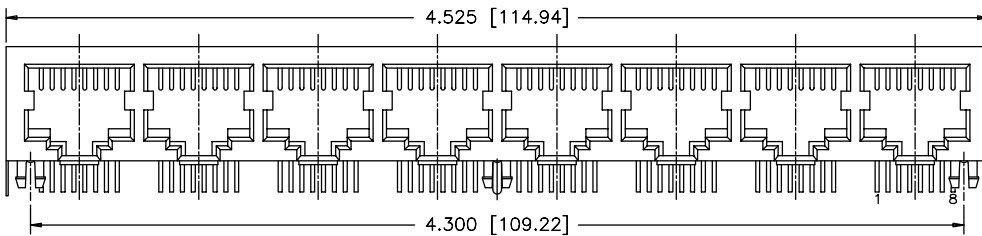
SIDE VIEW



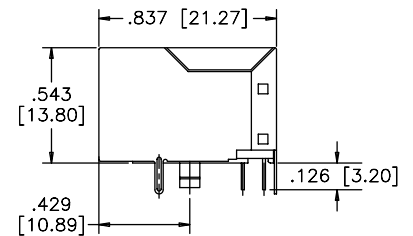
RECOMMENDED PCB LAYOUT

## Shielded

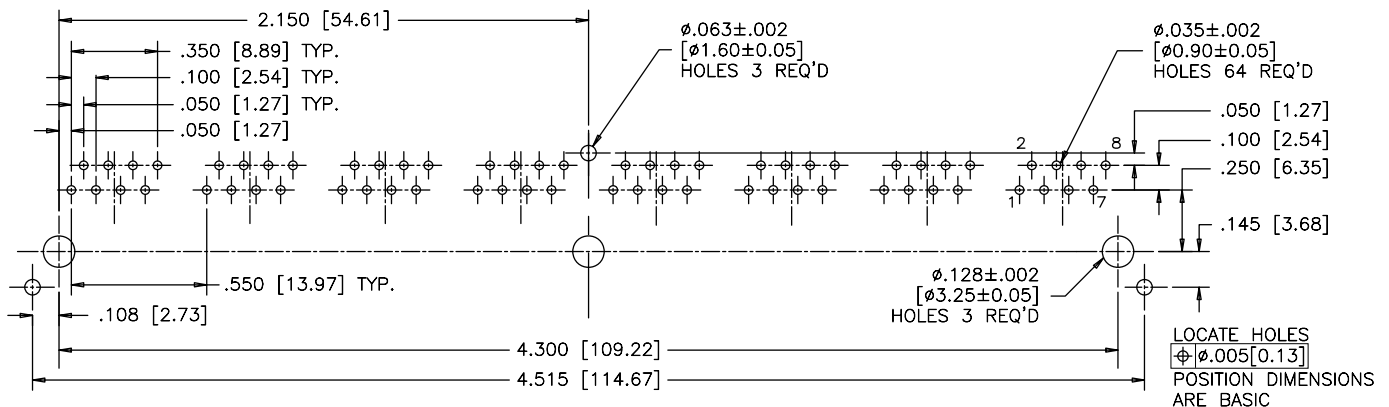
RJE09-888-1X10



FRONT VIEW



SIDE VIEW



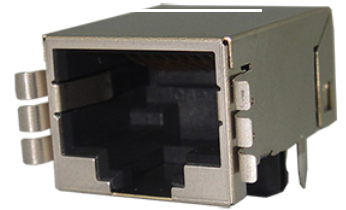
RECOMMENDED PCB LAYOUT

# RJULE

TAB DOWN, RECESSED, LOW PROFILE

## TAB DOWN, RECESSED, LOW PROFILE

RJULE is a series of single port RJ45 modular jacks designed for slim profile applications. With a profile height of less than 10 millimeters, this connector is perfect where vertical space is limited. Standard and rear mount shield options for superior EMI performance makes this part ideal for LAN and router applications.



## SPECIFICATIONS

### Material

<b>Housing:</b>	High temp. thermoplastic; Flammability rating UL94-0; RoSH compliant
<b>Contacts:</b>	Phosphor bronze
<b>Plating:</b>	Gold plated on mating surfaces over 50 $\mu$ " (1.27 microns) min. nickel under plate; 100 $\mu$ " (2.54 microns) min. matte tin on contact tails
<b>Shield:</b>	Copper alloy; nickel plated

### Electrical

<b>Contact Resistance:</b>	20 m $\Omega$ max.
<b>Insulation resistance:</b>	500 M $\Omega$ min. at 500V DC for 2 mins max.
<b>Current Rating:</b>	1.5 Amps per contact
<b>Voltage Rating:</b>	125 Volts AC
<b>DWV:</b>	1000 VAC, 60 Hz. 1 min.

### Mechanical

<b>Insertion Force:</b>	5 lbs max.
<b>Pull Retention Force:</b>	20 lbs min.
<b>Durability:</b>	750 mating & unmating cycles
<b>Recommended Soldering Temperature:</b>	Wave soldering peaked at 260°C for 5 secs max.
<b>Operating Temperature:</b>	-55°C to +85°C
<b>UL File #:</b>	E135615

Note: Suitable for IR Reflow

## ORDERING INFORMATION

RJULE - 4 X X X X - 01 X

### Number of Positions

4 - 8 Positions

### Contact Plating

0 - 1~3 $\mu$ " gold plating  
1 - 15 $\mu$ " gold plating  
2 - 30 $\mu$ " gold plating  
3 - 50 $\mu$ " gold plating

### Housing Options

1 - Black  
2 - Yellow  
3 - Red

### Number of Contacts

4 - 4 Contacts  
6 - 6 Contacts  
8 - 8 Contacts

### Packaging

Blank - Tray  
T - Tape & Reel

### Number of Ports

01 - 1 Port

### Shield Options

0 - No shield  
1 - Shield with top, side, and rear PCB tabs  
2 - Shield with flared side tabs  
3 - Shield with rear PCB, no top or side tabs

Didn't find what you were looking for?

Please contact [sales@amphenolcanada.com](mailto:sales@amphenolcanada.com) and let us know what you need.

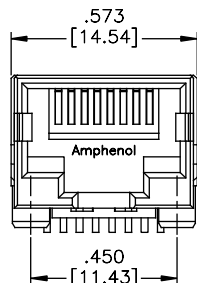
[Click to Return to Table of Contents](#)

# RJULE

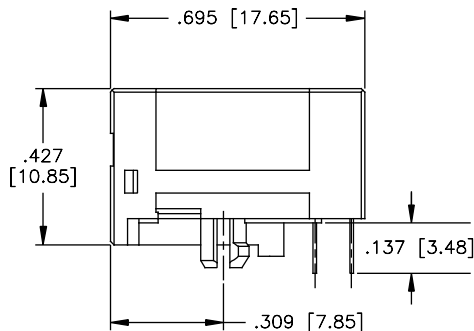
TAB DOWN, RECESSED, LOW PROFILE

## Single Port Non-Shielded

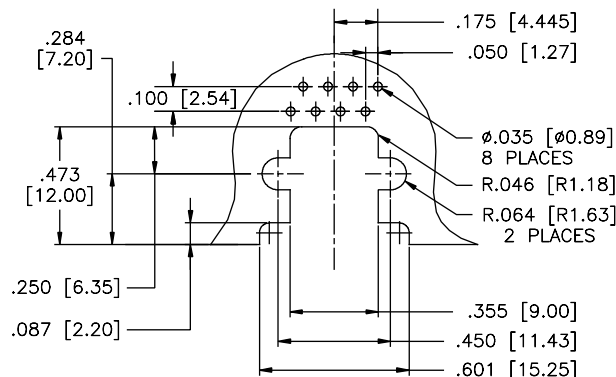
RJULE-4X180-01



FRONT VIEW



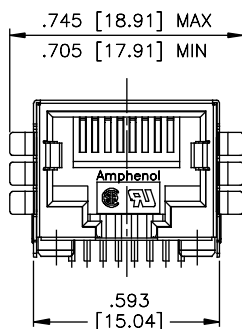
SIDE VIEW



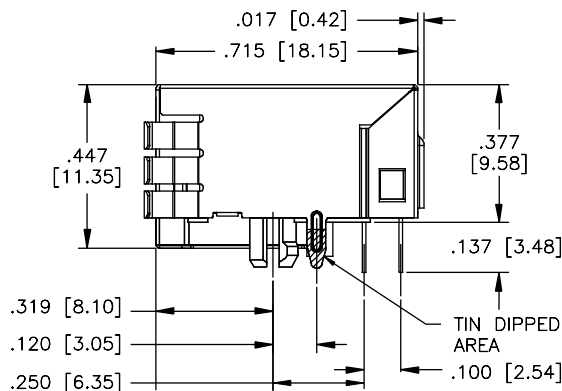
RECOMMENDED PCB LAYOUT

## Shielded with Side Ground Tabs

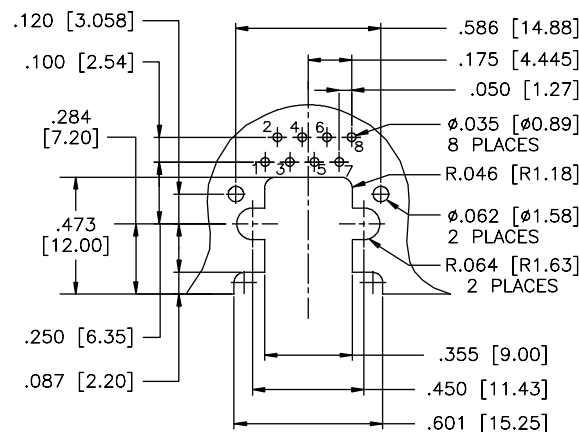
RJULE-4X182-01



FRONT VIEW



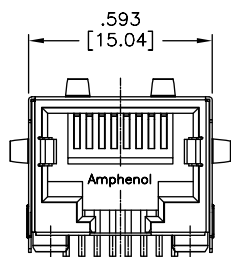
SIDE VIEW



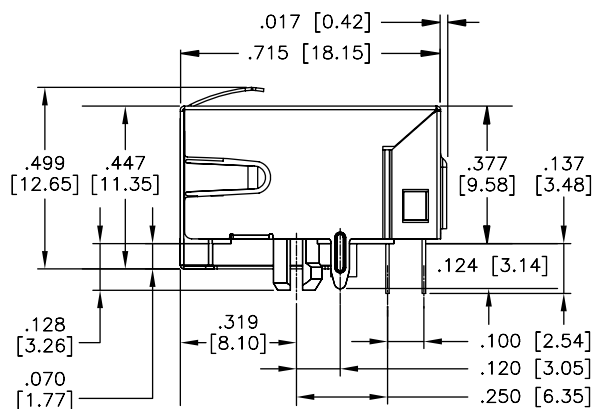
RECOMMENDED PCB LAYOUT

## Standard Shield

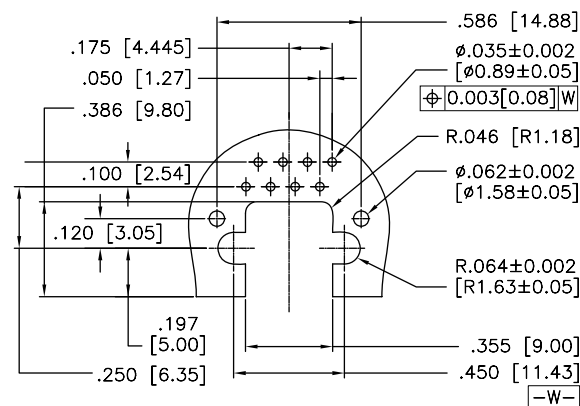
RJULE-4X181-01



FRONT VIEW



SIDE VIEW



RECOMMENDED PCB LAYOUT



# RJE73

TAB DOWN, SINGLE PORT, LOW PROFILE, WITH LEDs

## TAB DOWN, SINGLE PORT, LOW PROFILE

The RJE73 modular jack is a low profile RJ45 with LEDs and superior EMI shielding with a small footprint for space sensitive designs. This connector features built-in LEDs that provide link activity and network verification. This product is ideal for LAN applications such as adapter cards and routers.



## SPECIFICATIONS

### Material

<b>Insulator:</b>	High temp. thermoplastic; Complies with UL94-0; Black
<b>Contacts:</b>	Phosphor bronze hard temper with gold plating options over 50µ" min. nickel on contact mating area; 100µ" min. matte tin plating on solder tails
<b>Shield:</b>	Stainless steel with tin dipped tails
<b>LED:</b>	Tin plating on LED tails

### Mechanical

<b>Insertion Force:</b>	5 lbs max.
<b>Pull Retention Force:</b>	20 lbs min.
<b>Durability:</b>	750 mating & unmating cycles
<b>Recommended Soldering Temperature:</b>	Wave soldering peaked at 245°C for 8 to 10 secs max.
<b>Operating Temperature:</b>	-55°C to + 85°C
<b>UL File #:</b>	E135615

### Electrical

<b>Contact Resistance:</b>	20 mΩ max.
<b>Insulation resistance:</b>	500 MΩ min. at 500V DC for 2 mins max.
<b>Current Rating:</b>	1.0 Amps per contact
<b>Voltage Rating:</b>	125 Volts AC
<b>DWV:</b>	1000 VAC, 60 Hz. 1 min.
<b>LED Forward DC Current:</b>	20mA typical
<b>LED Forward Voltage:</b>	1.9 Volts max. at 2mA (for single colours) 2.6 Volts max. at 2mA (for bicolours)
<b>LED Reverse Voltage:</b>	5 Volts min.
<b>LED Light Intensity:</b>	0.4 to 1.5 mcd min. at 2mA (for single colours) 0.5 mcd min. at 2mA (for bicolours)
<b>LED Wave Length:</b>	Yellow: 587 ± 7 nm measured at 20mA Green: 565 ± 6 nm measured at 20mA Red: 625 ± 5 nm measured at 20mA

## ORDERING INFORMATION

RJE73 - 1 8 8 - 0 0 X X X

### Number of Ports

1 - 1 Port

### Number of Positions

8 - 8 Positions

### Number of Contacts

8 - 8 Contacts

### Shield Options

0 - Shield without tabs  
1 - Shield with side and top tabs  
N - No Shield

### LED Options

Click to view page 3 for options

### Contact Plating

1 - 6µ" gold plating  
2 - 15µ" gold plating  
3 - 30µ" gold plating  
4 - 50µ" gold plating

**Didn't find what you were looking for?**Please contact [sales@amphenolcanada.com](mailto:sales@amphenolcanada.com) and let us know what you need.[Click to Return to Table of Contents](#)

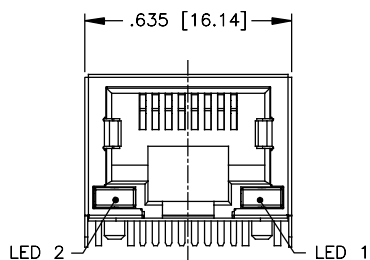
# RJE73

TAB DOWN, SINGLE PORT, LOW PROFILE, WITH LEDs

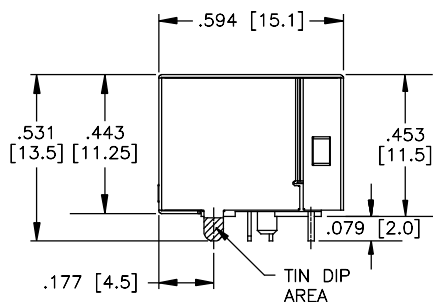
## Single Port

Shielded - No Top or Side Tabs

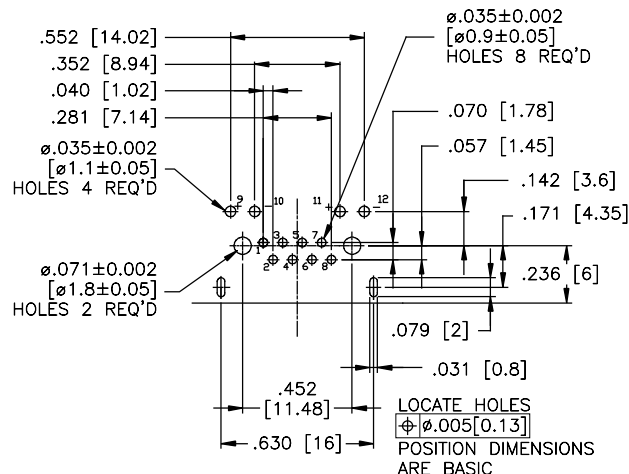
RJE73-188-00XX0



FRONT VIEW



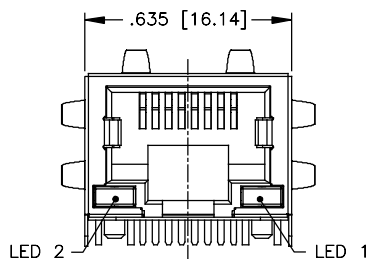
SIDE VIEW



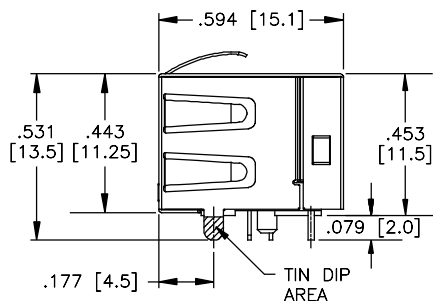
RECOMMENDED PCB LAYOUT

## Shielded - With Top and Side Tabs

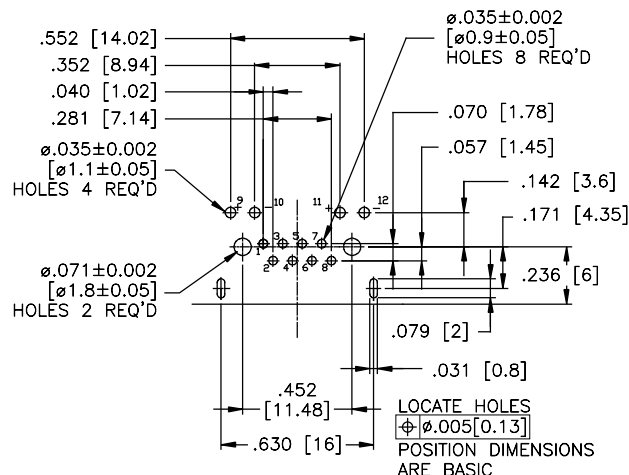
RJE73-188-00XX1



FRONT VIEW



SIDE VIEW



RECOMMENDED PCB LAYOUT

# RJSSE

TAB UP, WITH LIGHT PIPES

## TAB UP, WITH LIGHT PIPES

The RJSSE series represents an expansion of Amphenol Canada's current RJHSE series connector. The RJSSE offers all the benefits of the RJHSE series in SMT with light pipes. Shielded and non-shielded versions are available with or without light pipes.



## SPECIFICATIONS

### Material

<b>Insulator:</b>	High temp. thermoplastic; Complies with UL94-0; Black
<b>Contacts:</b>	Phosphor bronze hard temper with gold plating options over 50µ" min. nickel on contact mating area; 100µ" min. matte tin plating on solder tails
<b>Shield:</b>	Copper alloy; nickel or matte tin plating
<b>Light Pipe:</b>	Optical polycarbonate; UL 94V-0

### Electrical

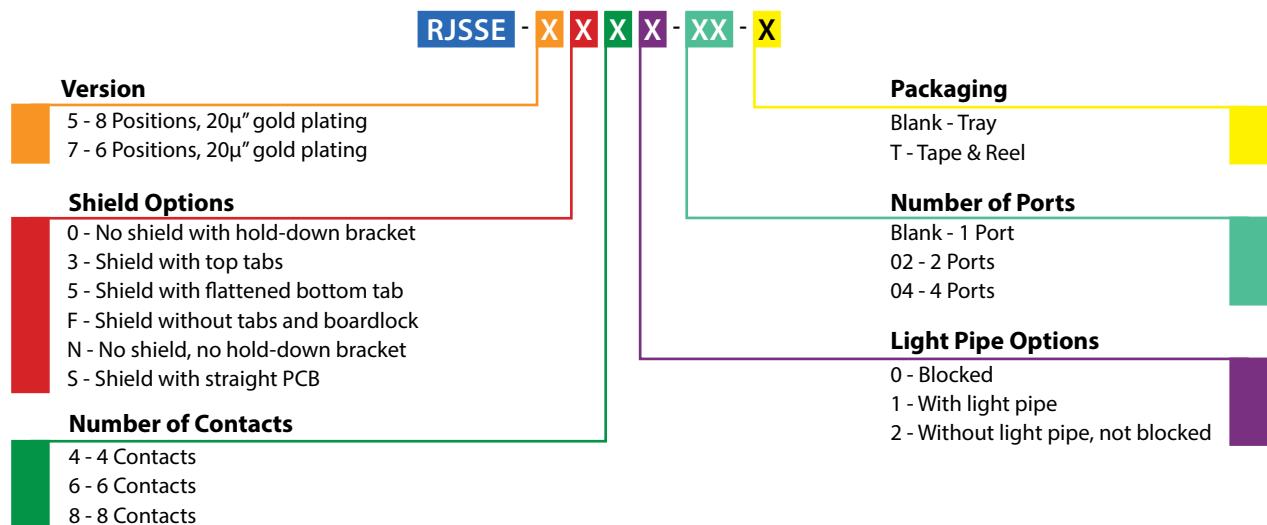
<b>Contact Resistance:</b>	20 mΩ max.
<b>Insulation resistance:</b>	500 MΩ min. at 500V DC for 2 mins max.
<b>Current Rating:</b>	1.5 Amps per contact
<b>Voltage Rating:</b>	125 Volts AC
<b>DWV:</b>	1500 VAC, 60 Hz. 1 min.

### Mechanical

<b>Insertion Force:</b>	5 lbs max.
<b>Pull Retention Force:</b>	20 lbs min.
<b>Durability:</b>	750 mating & unmating cycles
<b>Recommended Soldering Temperature:</b>	IR Reflow peaked at 260°C for 5 to 10 secs max.
<b>Operating Temperature:</b>	-55°C to +85°C
<b>UL File #:</b>	E135615

*Note: Light Pipes to be installed after soldering*

## ORDERING INFORMATION



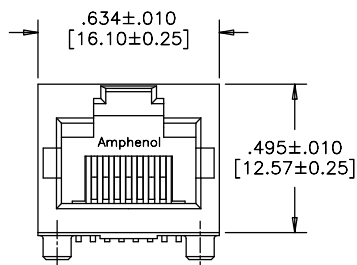
**Note:** The light pipes are available to be purchased on their own.  
Part Number: RJSSE-2485-01

**Didn't find what you were looking for?**

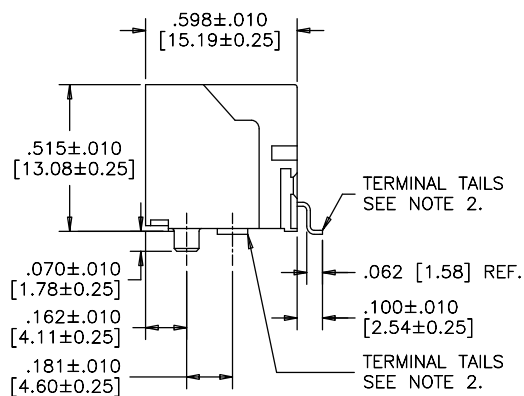
Please contact [sales@amphenolcanada.com](mailto:sales@amphenolcanada.com) and let us know what you need.

← [Click to Return to Table of Contents](#)

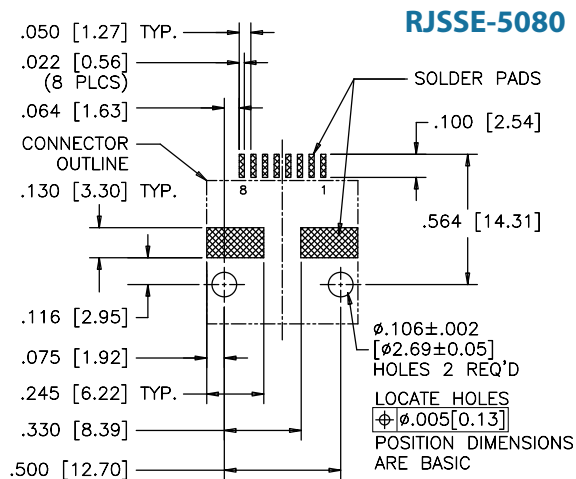
## Single Port Non-Shielded



FRONT VIEW



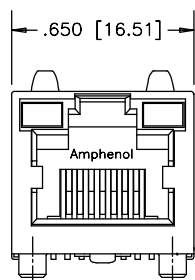
SIDE VIEW



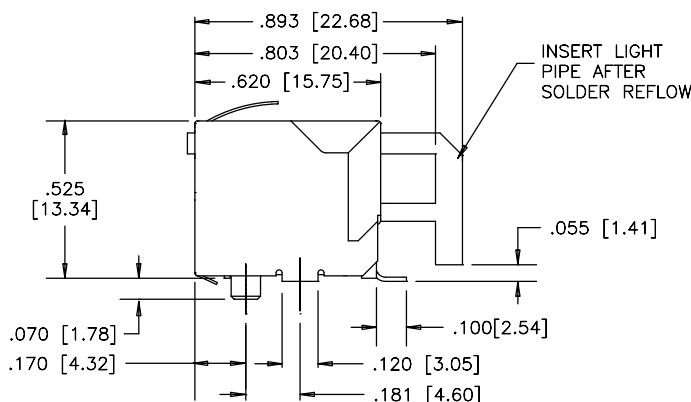
RECOMMENDED PCB LAYOUT

### RJSSE-5080

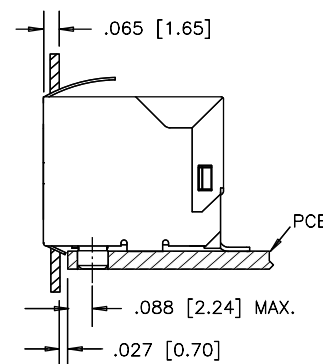
## Standard Shield - With Top & Side Ground Tabs



FRONT VIEW

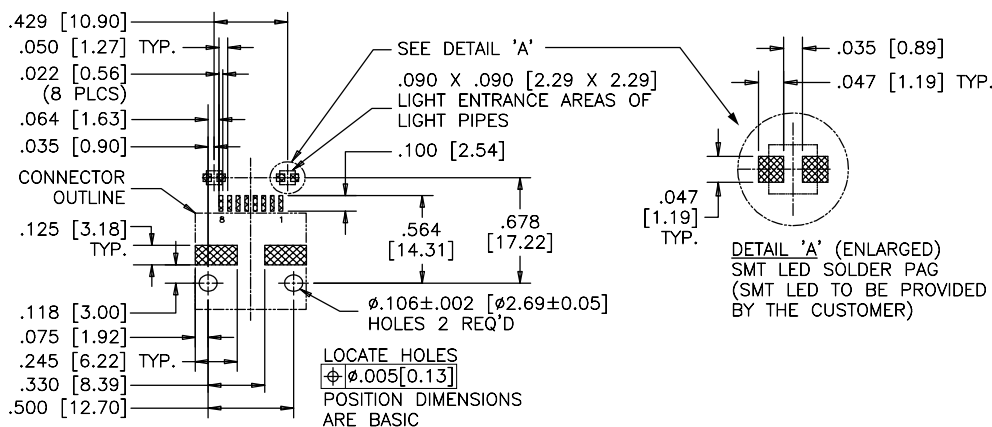


SIDE VIEW



FOR REFERENCE

### RJSSE-5381



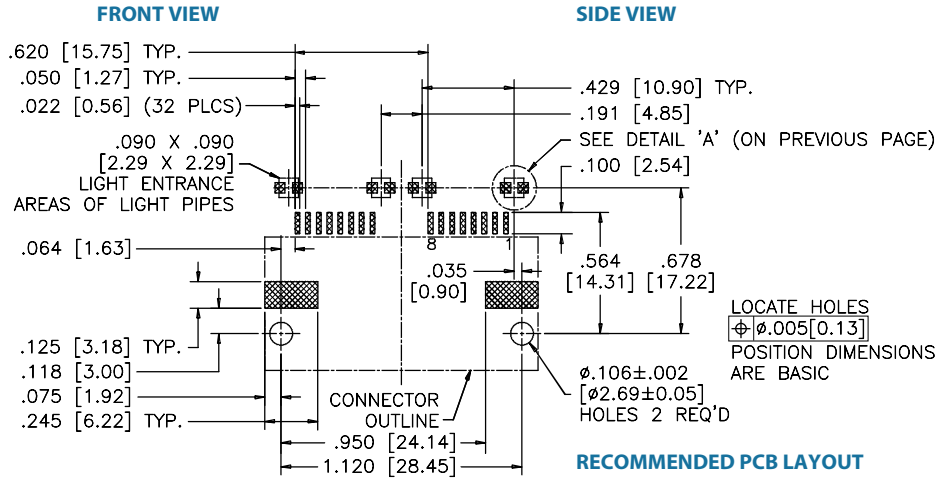
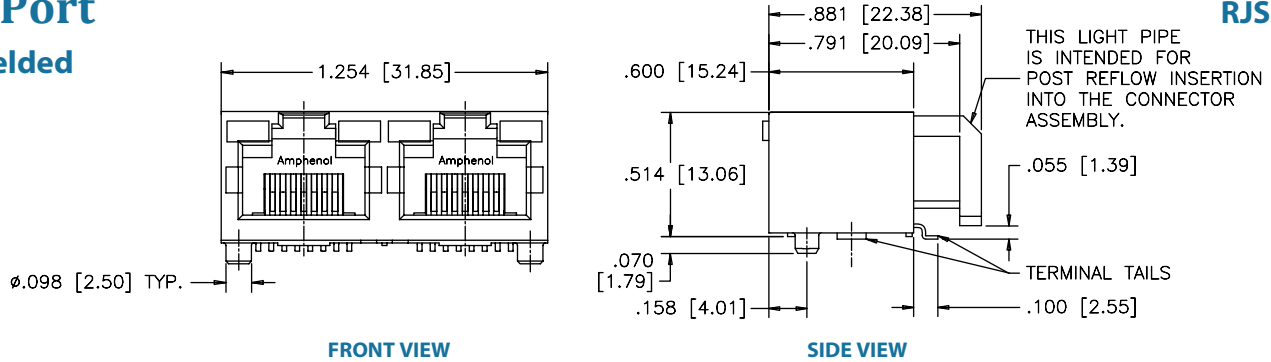
RECOMMENDED PCB LAYOUT

# RJSSE

TAB UP, WITH LIGHT PIPES

## Multi Port Non-Shielded

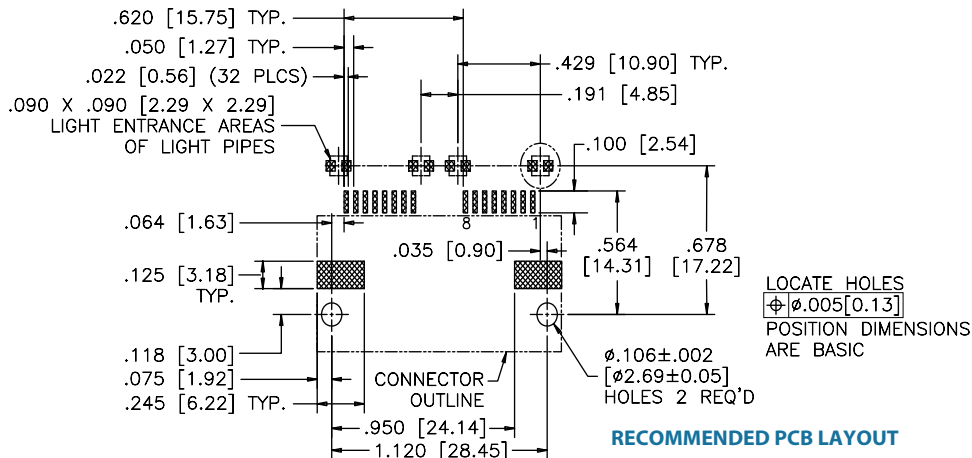
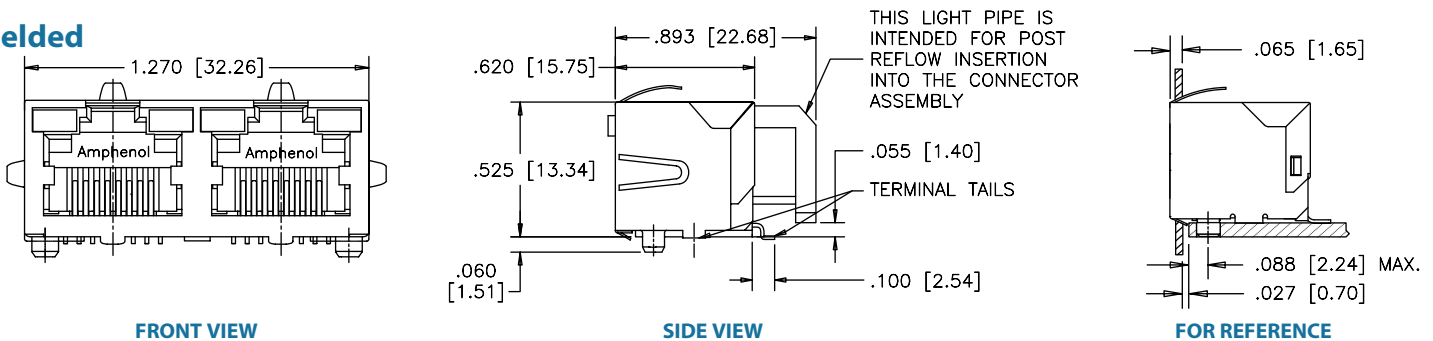
RJSSE-5081-02



RECOMMENDED PCB LAYOUT

## Multi Port Shielded

RJSSE-5381-02



RECOMMENDED PCB LAYOUT

## TAB UP, STANDARD PROFILE, WITH LEDs

The RJCSE is a right angle surface mount connector. Shielding is available for increased EMI performance as well as built-in LEDs for link activity and network verification. This product is ideal for LAN applications such as adapter cards and routers.



## SPECIFICATIONS

### Material

<b>Insulator:</b>	High temp. thermoplastic; Complies with UL 94V-0; Black
<b>Contacts:</b>	Phosphor bronze hard temper with gold thickness options (6 $\mu$ ", 15 $\mu$ ", 30 $\mu$ ", 50 $\mu$ ") over 50 $\mu$ " min. nickel on contact mating area; 100 $\mu$ " min. matte tin plating on soldering tail
<b>Shield:</b>	Stainless steel with matte-tin plating

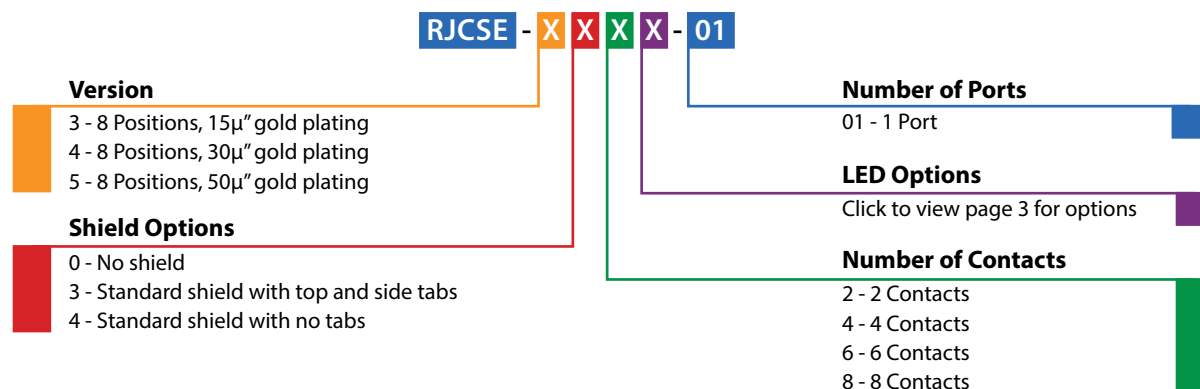
### Mechanical

<b>Insertion Force:</b>	5 lbs max.
<b>Pull Retention Force:</b>	20 lbs min.
<b>Durability:</b>	750 mating & unmating cycles
<b>Recommended Soldering Temperature:</b>	Suitable for IR Reflow at 260°C for 10 secs max.
<b>Operating Temperature:</b>	- 55°C to + 85°C
<b>UL File #:</b>	E135615
<b>CSA File #:</b>	LR685398

### Electrical

<b>Contact Resistance:</b>	20 m $\Omega$ max.
<b>Insulation resistance:</b>	500 M $\Omega$ min. at 500V DC for 2 mins max.
<b>Current Rating:</b>	1.5 Amps per contact
<b>Voltage Rating:</b>	125 Volts AC
<b>DWV:</b>	1000 VAC, 60 Hz. 1 min.
<b>LED Forward DC Current:</b>	20mA typical
<b>LED Forward Voltage:</b>	1.9 Volts max. at 2mA (for single colours) 2.6 Volts max. at 2mA (for bicolours)
<b>LED Reverse Voltage:</b>	5 Volts min.
<b>LED Light Intensity:</b>	0.4 to 1.5 mcd min. at 2mA (for single colours) 0.5 mcd min. at 2mA (for bicolours)
<b>LED Wave Length:</b>	Yellow: 587 $\pm$ 7 nm measured at 20mA Green: 565 $\pm$ 6 nm measured at 20mA Red: 625 $\pm$ 5 nm measured at 20mA

## ORDERING INFORMATION



Didn't find what you were looking for?

Please contact [sales@amphenolcanada.com](mailto:sales@amphenolcanada.com) and let us know what you need.

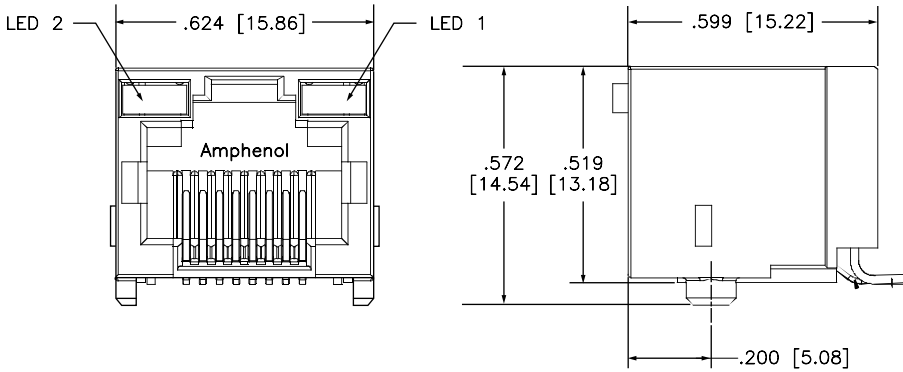
← [Click to Return to Table of Contents](#)

# RJCSE

TAB UP, STANDARD PROFILE, WITH LEDs

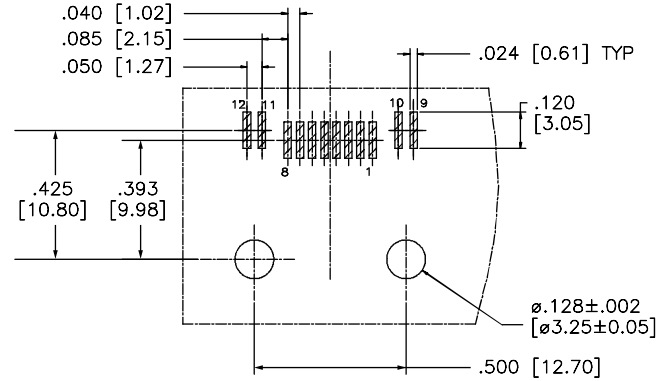
## Single Port Non-Shielded

RJCSE-508X-01



FRONT VIEW

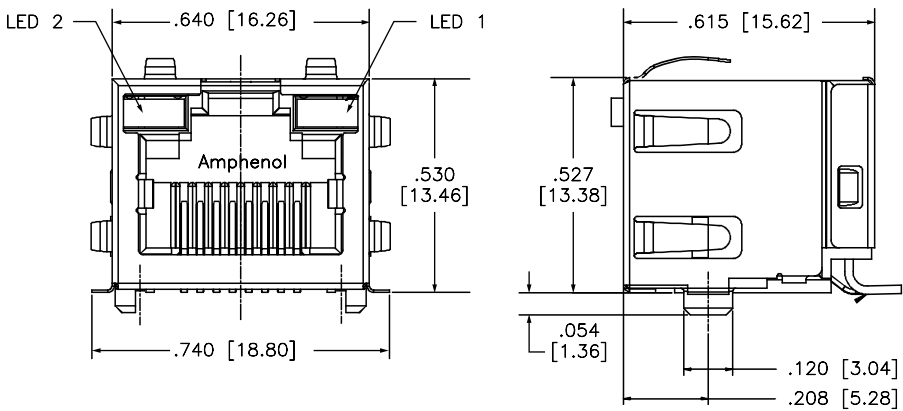
SIDE VIEW



RECOMMENDED PCB LAYOUT

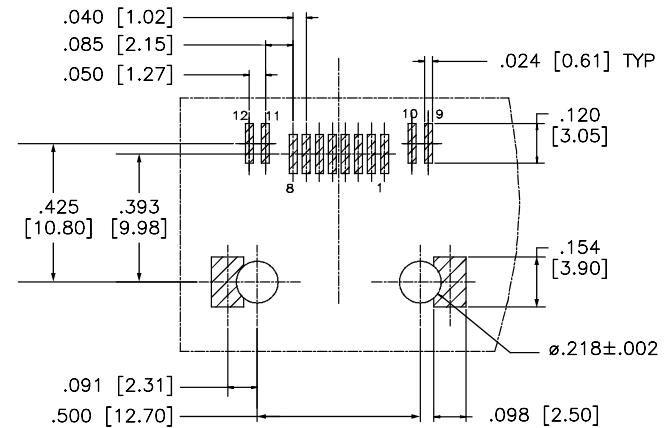
## Shielded

RJCSE-538X-01



FRONT VIEW

SIDE VIEW

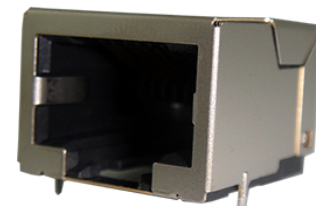


RECOMMENDED PCB LAYOUT



## TAB DOWN, ULTRA LOW PROFILE

The RJLSE series contains surface mount modular jacks with superior EMI performance that supports Ethernet Protocols. This low profile connector is built to meet your high volume RJ requirements. This series is a true pick and place compatible SMT connector and is available with different shielding, contacts, gold plating thickness, and color options. This connector is built with high temperature engineering thermoplastic and suitable for the IR Reflow solder process.



## SPECIFICATIONS

### Material

<b>Insulator:</b>	High temp. thermoplastic; Complies with UL 94V-0; Black
<b>Contacts:</b>	Phosphor bronze hard temper with gold thickness options (6 $\mu$ ", 15 $\mu$ ", 30 $\mu$ ", 50 $\mu$ ") over 50 $\mu$ " min. nickel on contact mating area; Gold flash over palladium nickel also available; 100 $\mu$ " min. matte tin plating on soldering tail
<b>Shield:</b>	Copper alloy; nickel or matte tin plated

*Note: Other insulator colour options available*

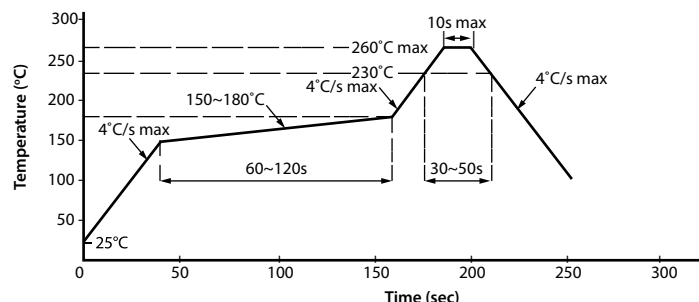
### Electrical

<b>Contact Resistance:</b>	20 m $\Omega$ max.
<b>Insulation resistance:</b>	500 M $\Omega$ min. at 500V DC for 2 mins max.
<b>Current Rating:</b>	1.5 Amps per contact
<b>Voltage Rating:</b>	125 Volts AC
<b>DWV:</b>	1000 VAC, 60 Hz. 1 min.

### Mechanical

<b>Insertion Force:</b>	5 lbs max.
<b>Pull Retention Force:</b>	20 lbs min.
<b>Durability:</b>	750 mating & unmating cycles
<b>Recommended Soldering Temperature:</b>	Lead free reflow soldering up to 260°C for 10 secs max. 3 reflow passes max.
<b>Operating Temperature:</b>	- 55°C to + 85°C
<b>UL File #:</b>	E135615
<b>CSA File #:</b>	LR685398

*Recommended reflow profile below*



## ORDERING INFORMATION

RJLSE - X X X X X - 01 - X

#### Version

- 4 - 8 Positions
- 6 - 6 Positions

#### Contact Plating

- 0 - 1~3 $\mu$ " gold plating
- 1 - 15 $\mu$ " gold plating
- 2 - 30 $\mu$ " gold plating
- 3 - 50 $\mu$ " gold plating

#### Shield Options

- 0 - No shield with hold-down bracket
- 1 - Standard shield, SMT without PCB tabs
- 3 - Shield with PCB tabs

#### Packaging

- Blanks - Tray
- T - Tape & Reel

#### Number of Ports

- 01 - 1 Port

#### Housing Options

- 1 - Black
- 2 - Yellow
- 3 - Red

#### Number of Contacts

- 2 - 2 Contacts
- 4 - 4 Contacts
- 6 - 6 Contacts
- 8 - 8 Contacts

#### Didn't find what you were looking for?

Please contact [sales@amphenolcanada.com](mailto:sales@amphenolcanada.com) and let us know what you need.

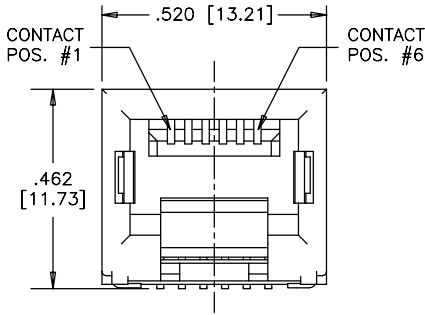
← [Click to Return to Table of Contents](#)

# RJLSE

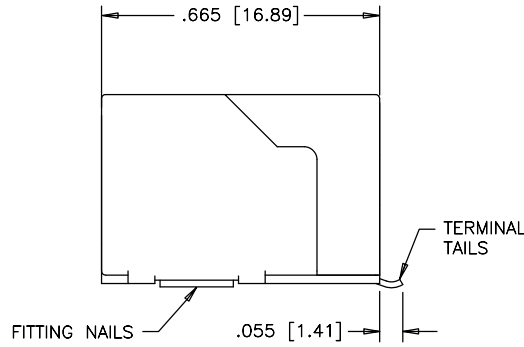
TAB DOWN, ULTRA LOW PROFILE

## Single Port Non-Shielded

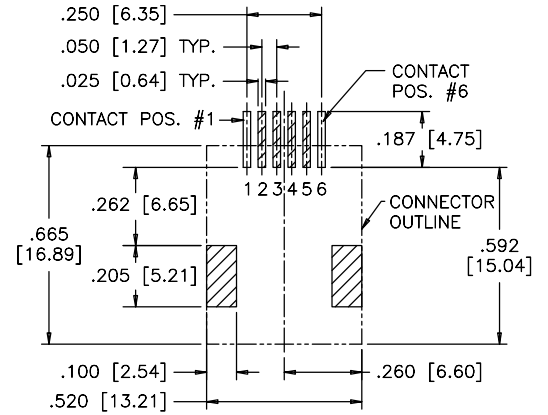
RJLSE-6X061-01



FRONT VIEW



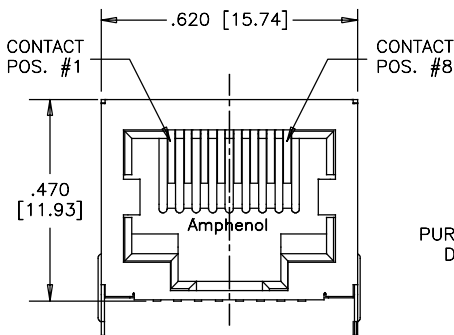
SIDE VIEW



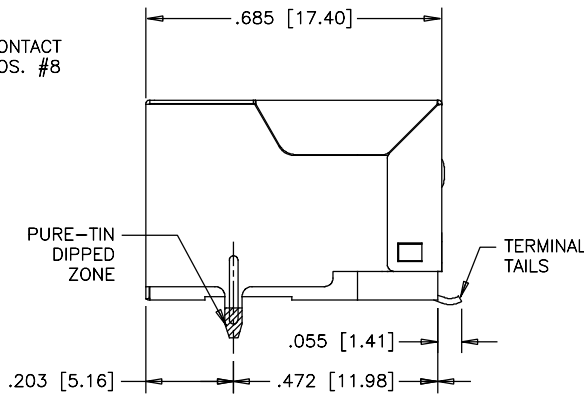
RECOMMENDED PCB LAYOUT

## Shielded

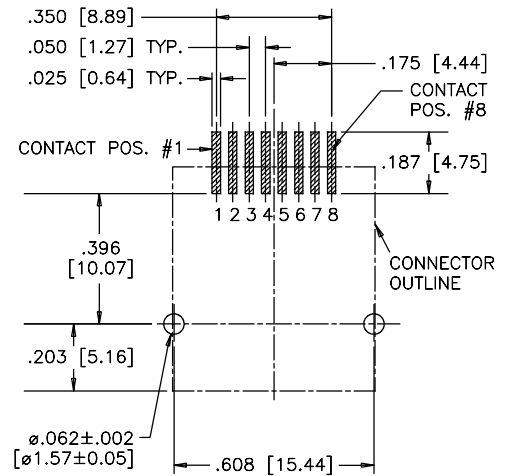
RJLSE-4X381-01



FRONT VIEW



SIDE VIEW



RECOMMENDED PCB LAYOUT

## RJE07

TAB DOWN, SINGLE PORT

## TAB DOWN, SINGLE PORT

RJE07 products belong to a family of standard modular jacks designed to meet requirements for a variety of applications. Options within the FRJAE series offer low cost and effective EMC control within standard RJ11 & RJ45 connector footprints. EMC control is offered by a completely shielded connector and/or with the use of a high resistivity, high impedance ferrite filter. No board layout changes are required for its use. Simply replace the standard non-filtered connector for superior EMC performance.



## SPECIFICATIONS

## Material

<b>Insulator:</b>	High temp. thermoplastic; Complies with UL 94V-0; Black
<b>Contacts:</b>	Phosphor bronze hard temper with gold thickness options (6 $\mu$ ”, 15 $\mu$ ”, 30 $\mu$ ”, 50 $\mu$ ”) over 50 $\mu$ ” min. nickel on contact mating area; Gold flash over palladium nickel also available; 100 $\mu$ ” min. matte tin plating on soldering tail
<b>Shield:</b>	Copper alloy; nickel or matte tin plated

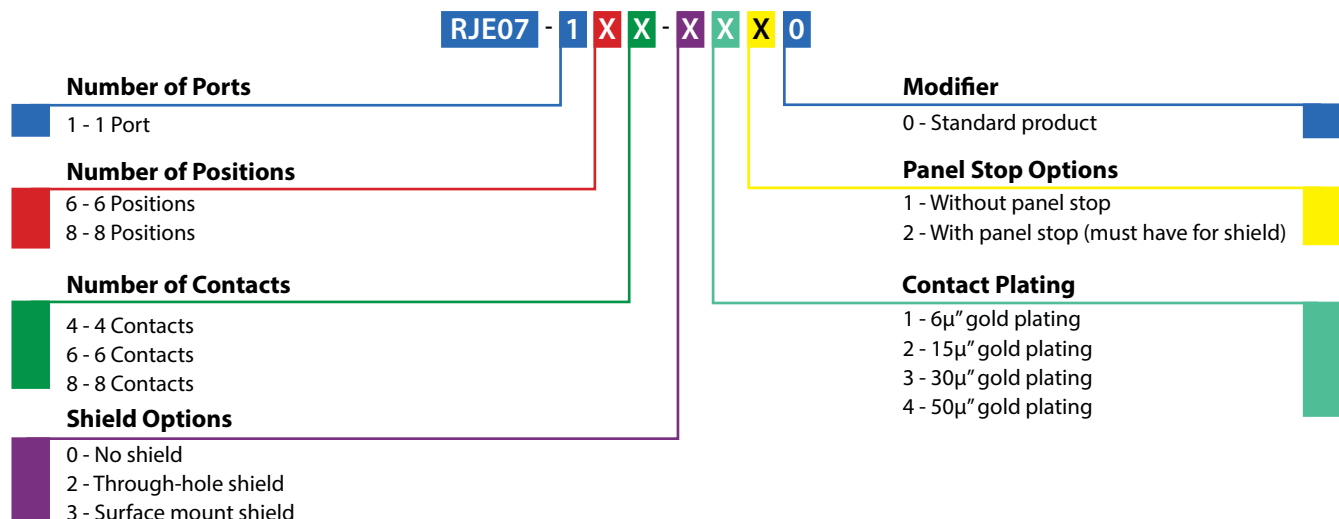
## Electrical

<b>Contact Resistance:</b>	20 m $\Omega$ max.
<b>Insulation resistance:</b>	500 M $\Omega$ min. at 500V DC for 2 mins max.
<b>Current Rating:</b>	1.5 Amps per contact
<b>Voltage Rating:</b>	125 Volts AC
<b>DWV:</b>	1000 VAC, 60 Hz. 1 min.

## Mechanical

<b>Insertion Force:</b>	5 lbs max.
<b>Pull Retention Force:</b>	20 lbs min.
<b>Durability:</b>	750 mating & unmating cycles
<b>Recommended Soldering Temperature:</b>	Reflow soldering peaked at 260 $^{\circ}$ C for 6 to 8 secs max
<b>Operating Temperature:</b>	- 40 $^{\circ}$ C to + 85 $^{\circ}$ C
<b>UL File Number:</b>	E136228

## ORDERING INFORMATION



## Didn't find what you were looking for?

Please contact [sales@amphenolcanada.com](mailto:sales@amphenolcanada.com) and let us know what you need.

[Click to Return to Table of Contents](#)

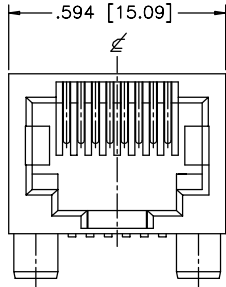
# RJE07

TAB DOWN, SINGLE PORT

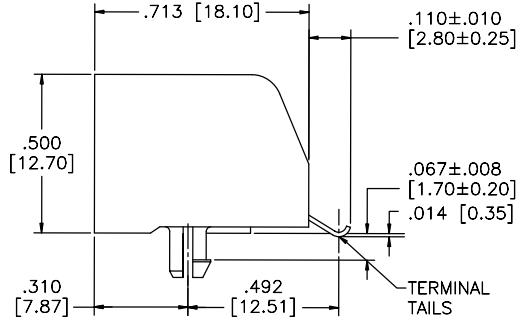
## Single Port

Non-Shielded

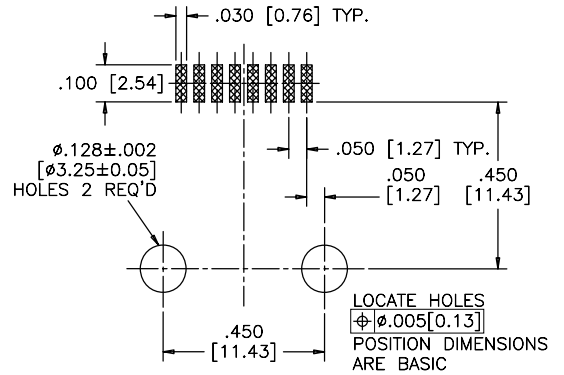
RJE07-188-0X10



FRONT VIEW



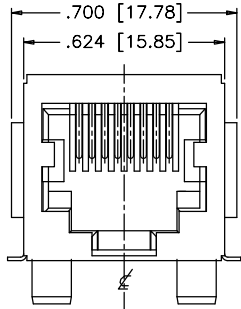
SIDE VIEW



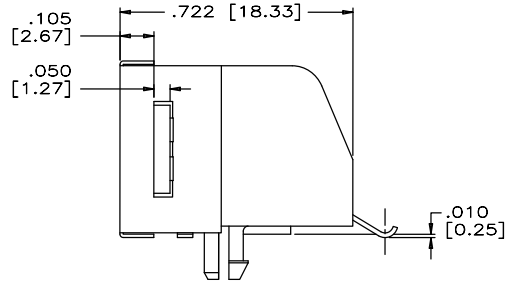
RECOMMENDED PCB LAYOUT

## Surface Mount Shield

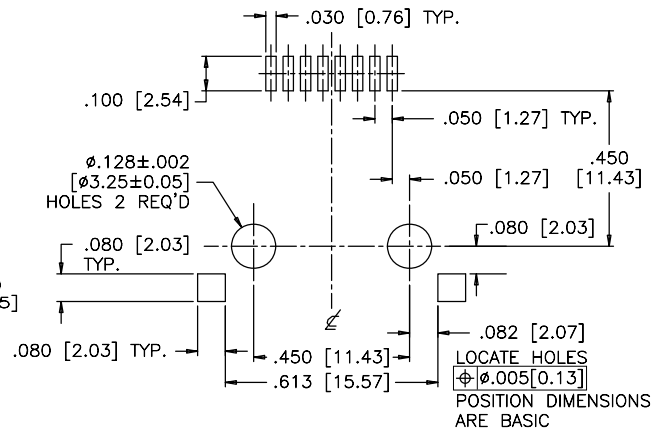
RJE07-188-3X20



FRONT VIEW



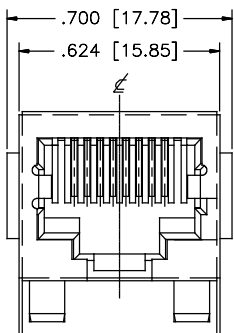
SIDE VIEW



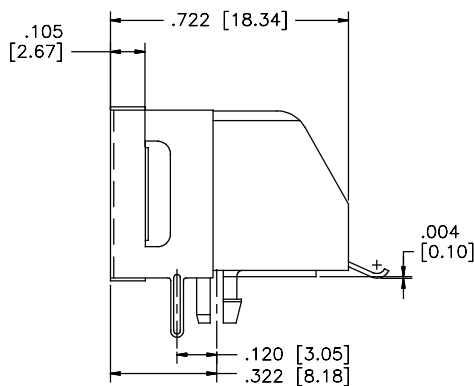
RECOMMENDED PCB LAYOUT

## Through-Hole Shield

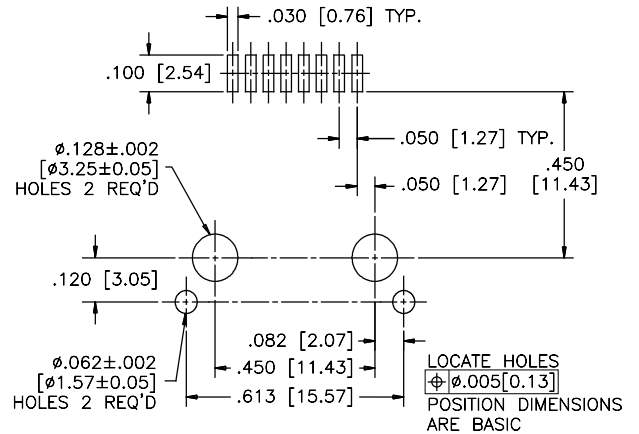
RJE07-188-2X20



FRONT VIEW



SIDE VIEW



RECOMMENDED PCB LAYOUT

## RJE15

TAB DOWN, SINGLE PORT, LOW PROFILE

## TAB DOWN, SINGLE PORT, LOW PROFILE

The RJE15 low profile connector is built to meet your high volume RJ requirements. This is a true pick and place compatible SMT connector and is available with or without shielding, as well as with a variety of options including number of contacts, plating thickness, and color. This connector is built with high temperature engineering thermoplastic and suitable for IR Reflow solder process.



## SPECIFICATIONS

## Material

<b>Insulator:</b>	High temp. thermoplastic; Complies with UL 94V-0; Black
<b>Contacts:</b>	Phosphor bronze hard temper with gold thickness options (6 $\mu$ ", 15 $\mu$ ", 30 $\mu$ ", 50 $\mu$ ") over 50 $\mu$ " min. nickel on contact mating area; 100 $\mu$ " min. matte tin plating or gold flash on tail area
<b>Shield:</b>	Copper alloy; nickel plating overall

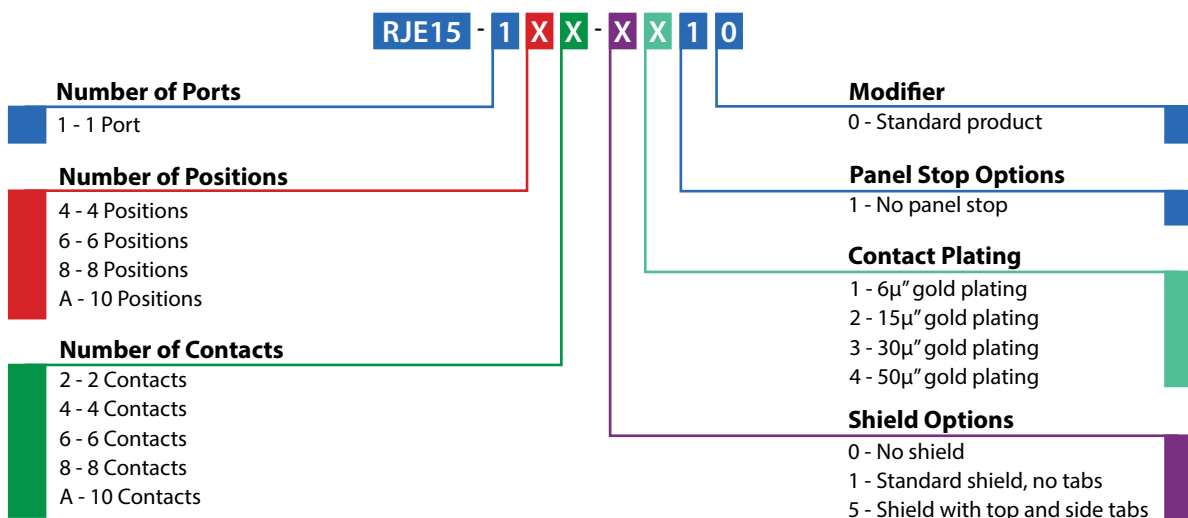
## Mechanical

<b>Insertion Force:</b>	5 lbs max.
<b>Pull Retention Force:</b>	20 lbs min.
<b>Durability:</b>	750 mating & unmating cycles
<b>Recommended Soldering Temperature:</b>	Wave soldering at 260°C for 6 to 8 secs max
<b>Operating Temperature:</b>	- 40°C to + 70°C

## Electrical

<b>Contact Resistance:</b>	25 m $\Omega$ max.
<b>Insulation resistance:</b>	1000 M $\Omega$ min. at 500V DC for 2 mins max.
<b>Current Rating:</b>	1.5 Amps per contact
<b>Voltage Rating:</b>	125 Volts AC
<b>DWV:</b>	1000 VAC, 60 Hz. 1 min.

## ORDERING INFORMATION



Didn't find what you were looking for?

Please contact [sales@amphenolcanada.com](mailto:sales@amphenolcanada.com) and let us know what you need.

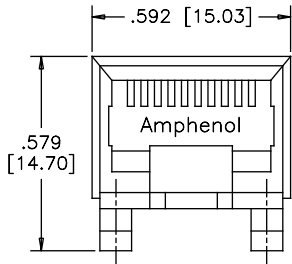
[Click to Return to Table of Contents](#)

# RJE15

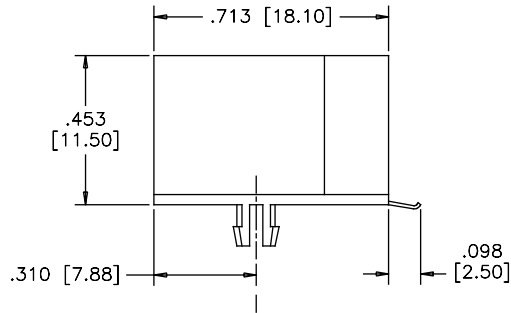
TAB DOWN, SINGLE PORT, LOW PROFILE

## Single Port Non-Shielded

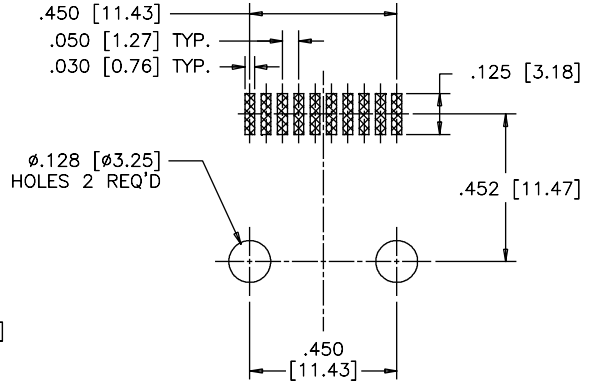
RJE15-1AA-0X10



FRONT VIEW



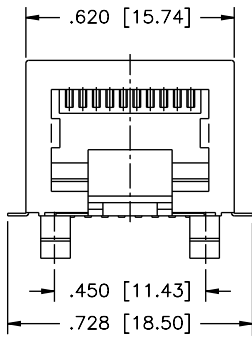
SIDE VIEW



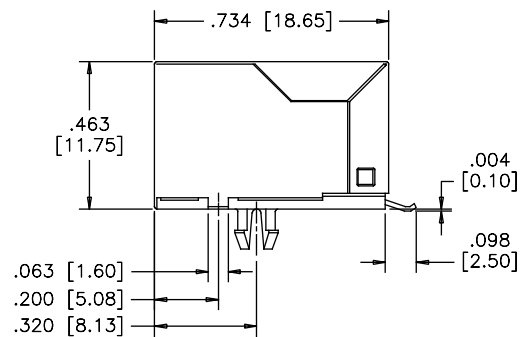
RECOMMENDED PCB LAYOUT

## Shielded

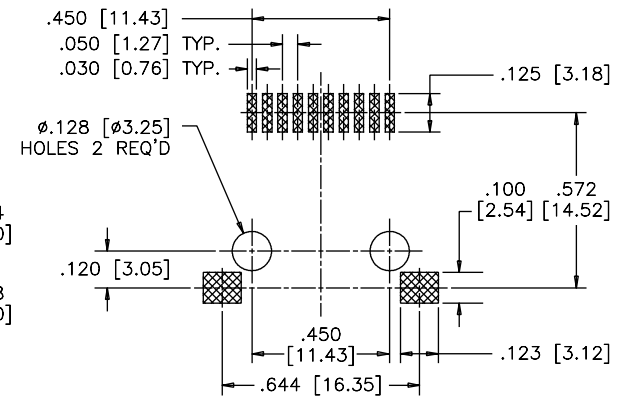
RJE15-1AA-1X10



FRONT VIEW



SIDE VIEW



RECOMMENDED PCB LAYOUT

## Notes

# RJE56

PRESS FIT, TAB DOWN, RJ45

## TAB DOWN, RJ45

The RJE56 series is designed for applications where soldering is not an option. The press fit contacts and shield tabs have the “eye of the needle” design and provide good PCB retention as well as reliable electrical performance.



## SPECIFICATIONS

### Material

<b>Insulator:</b>	PBT material; complies with UL 940-0; Black
<b>Contacts:</b>	Phosphor bronze hard temper with gold thickness options (6μ”, 15μ”, 30μ”, 50μ”) over 50μ” min. nickel on contact mating area; 100μ” min. matte tin plating on press fit tail
<b>Shield:</b>	Stainless steel

### Electrical

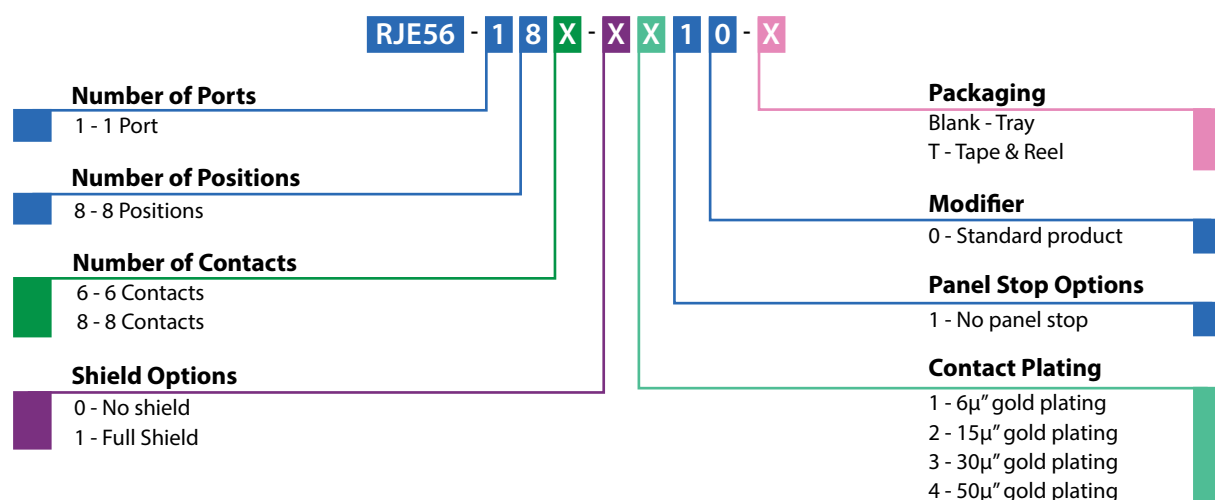
<b>Contact Resistance:</b>	20 mΩ max.
<b>Insulation resistance:</b>	500 MΩ min. at 500V DC for 2 mins max.
<b>Current Rating:</b>	1.5 Amps per contact
<b>Voltage Rating:</b>	125 Volts AC
<b>DWV:</b>	1000 VAC, 60 Hz. 1 min.

### Mechanical

<b>Insertion Force:</b>	5 lbs max.
<b>Pull Retention Force:</b>	20 lbs min.
<b>Durability:</b>	750 mating & unmating cycles
<b>Recommended Soldering Temperature:</b>	Wave soldering peaked at 260°C for 5 to 8 secs max
<b>Operating Temperature:</b>	- 55°C to + 85°C

*Note: Suitable for IR Reflow*

## ORDERING INFORMATION



Didn't find what you were looking for?

Please contact [sales@amphenolcanada.com](mailto:sales@amphenolcanada.com) and let us know what you need.

← [Click to Return to Table of Contents](#)

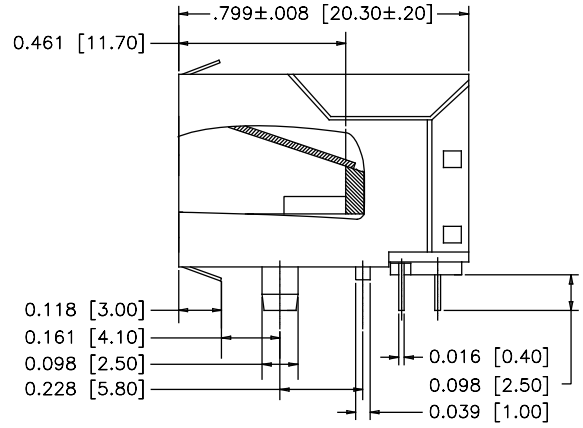
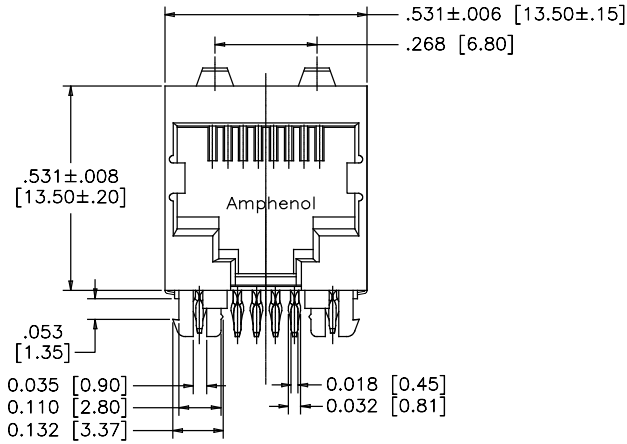


# RJE56

PRESS FIT, TAB DOWN, RJ45

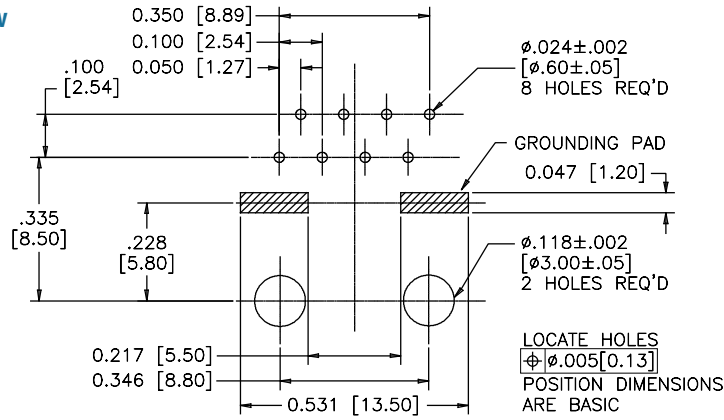
## Single Port Shielded

RJE56-188-1X10



FRONT VIEW

SIDE VIEW



RECOMMENDED PCB LAYOUT

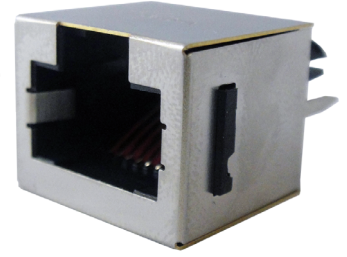
### Notes

# RJE06

SINGLE PORT, SLIM PROFILE

## SINGLE PORT, SLIM PROFILE

RJE06 series is a group of products within a family of standard modular jacks designed to meet requirements for a variety of applications. Options within the RJE06 family include shielded & non-shielded, and 8P8C configurations.



## SPECIFICATIONS

### Material

<b>Insulator:</b>	Engineering thermoplastic; Complies with UL 94V-0; Black
<b>Contacts:</b>	Phosphor bronze hard temper with gold thickness options (6 $\mu$ ", 15 $\mu$ ", 30 $\mu$ ", 50 $\mu$ "") over 50 $\mu$ " min. nickel on contact mating area; 100 $\mu$ " min. matte tin or gold flash plating on tail area
<b>Shield:</b>	Copper alloy; nickel plating overall

### Electrical

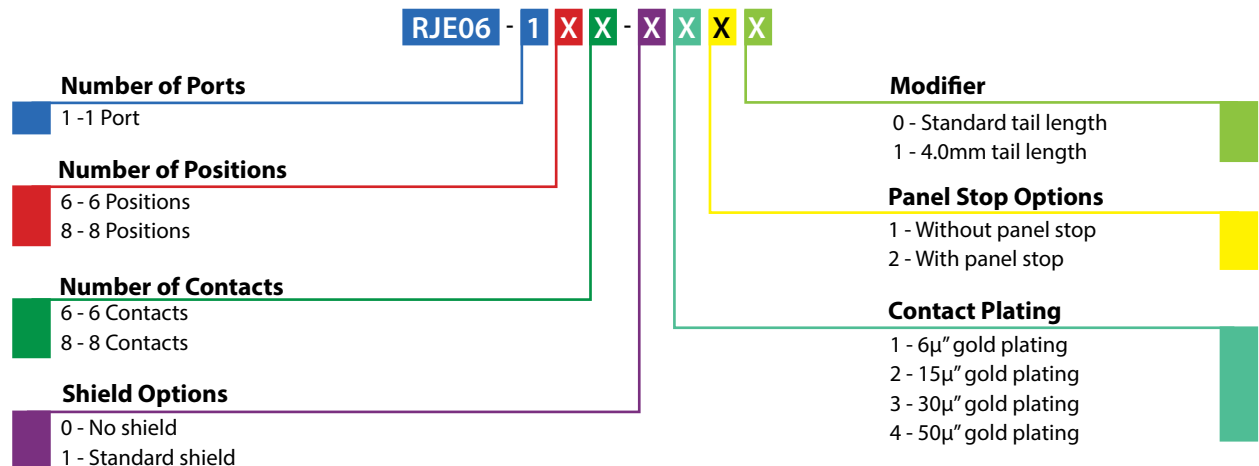
<b>Contact Resistance:</b>	20 m $\Omega$ max.
<b>Insulation resistance:</b>	500 M $\Omega$ min. at 500V DC for 2 mins max.
<b>Current Rating:</b>	1.5 Amps per contact
<b>Voltage Rating:</b>	125 Volts AC
<b>DWV:</b>	1000 VAC, 60 Hz. 1 min.

### Mechanical

<b>Insertion Force:</b>	5 lbs max.
<b>Pull Retention Force:</b>	20 lbs min.
<b>Durability:</b>	750 mating & unmating cycles
<b>Recommended Soldering Temperature:</b>	Wave soldering peaked at 260 $^{\circ}$ C for 5 secs max.
<b>Operating Temperature:</b>	-40 $^{\circ}$ C to + 70 $^{\circ}$ C
<b>UL File #:</b>	E136228

Note: Connectors with high temp. material are suitable for IR Reflow

## ORDERING INFORMATION



Didn't find what you were looking for?

Please contact [sales@amphenolcanada.com](mailto:sales@amphenolcanada.com) and let us know what you need.

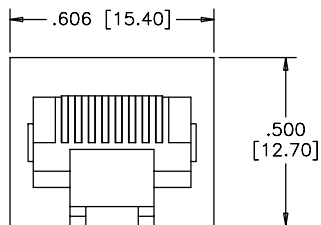
[Click to Return to Table of Contents](#)

# RJE06

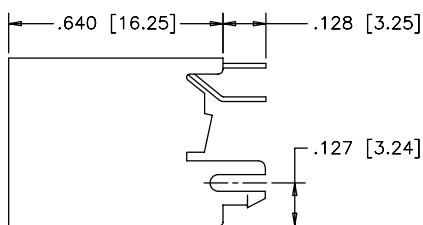
SINGLE PORT, SLIM PROFILE

## Single Port Non-Shielded

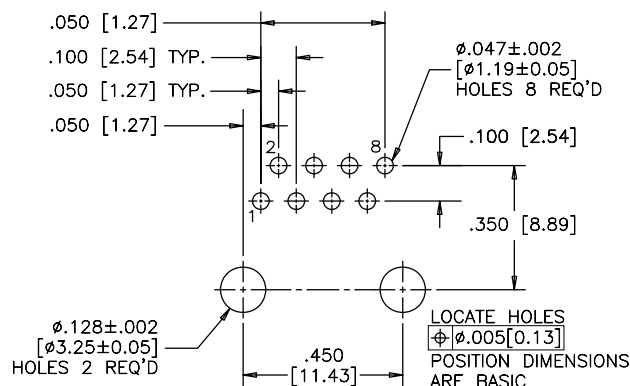
RJE06-188-0X10



FRONT VIEW



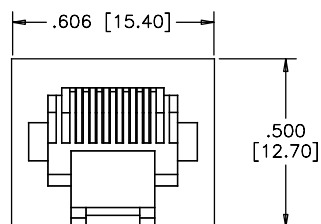
SIDE VIEW



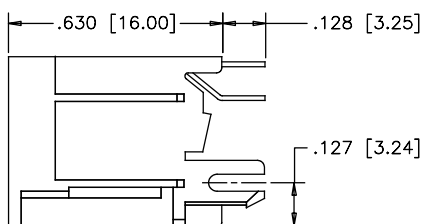
RECOMMENDED PCB LAYOUT

## Non-Shielded

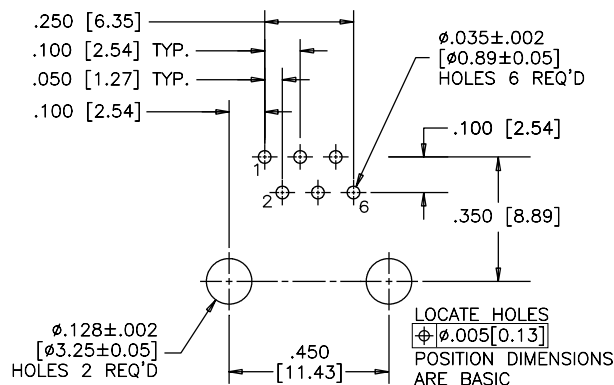
RJE06-166-0X10



FRONT VIEW



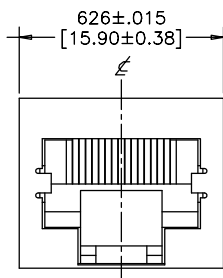
SIDE VIEW



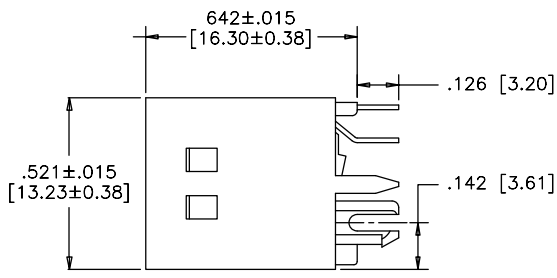
RECOMMENDED PCB LAYOUT

## Standard Shield

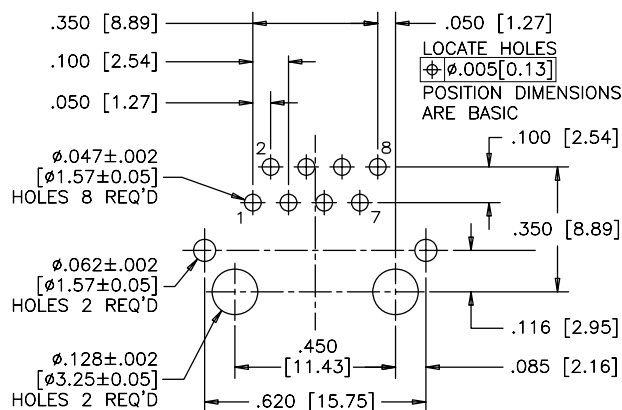
RJE06-188-1X10



FRONT VIEW



SIDE VIEW



RECOMMENDED PCB LAYOUT

# RJE08

SINGLE AND DUAL PORT, STANDARD PROFILE

## SINGLE AND DUAL PORT, STANDARD PROFILE

RJE08 series is a group of products within a family of standard modular jacks designed to meet requirements for a variety of applications. Options within the RJE08 include with and without panel stops, and RJ11 & RJ45 configurations.



## SPECIFICATIONS

### Material

<b>Insulator:</b>	Engineering thermoplastic; Complies with UL 94V-0; Black
<b>Contacts:</b>	Phosphor bronze hard temper with gold thickness options (6 $\mu$ ", 15 $\mu$ ", 30 $\mu$ ", 50 $\mu$ ") over 50 $\mu$ " min. nickel on contact mating area; 100 $\mu$ " min. matte tin or gold flash plating on tail area

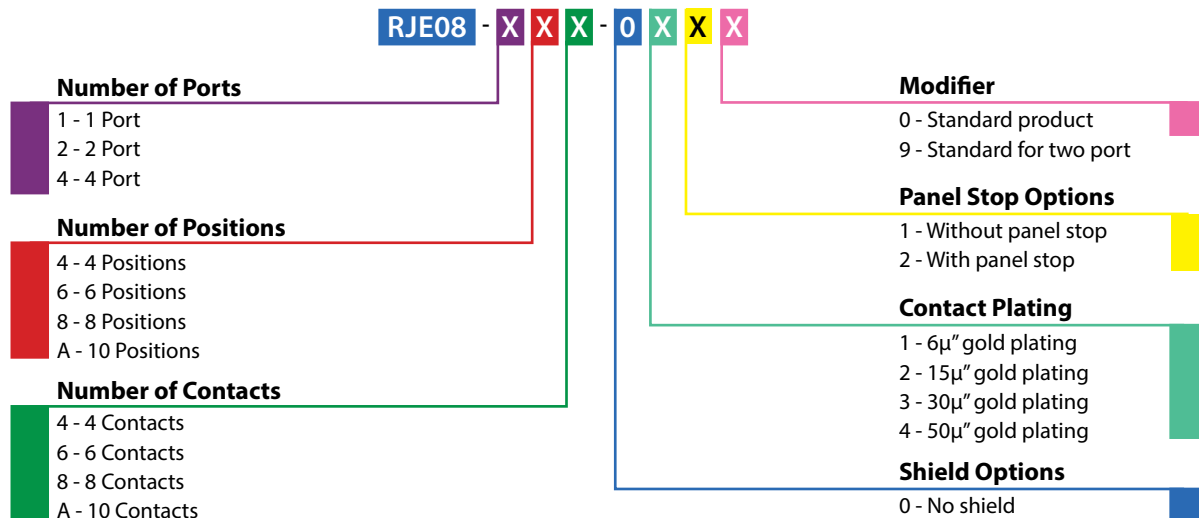
### Electrical

<b>Contact Resistance:</b>	20 m $\Omega$ max.
<b>Insulation resistance:</b>	500 M $\Omega$ min. at 500V DC for 2 mins max.
<b>Current Rating:</b>	1.5 Amps per contact
<b>Voltage Rating:</b>	125 Volts AC
<b>DWV:</b>	1000 VAC, 60 Hz. 1 min.

### Mechanical

<b>Insertion Force:</b>	5 lbs max.
<b>Pull Retention Force:</b>	20 lbs min.
<b>Durability:</b>	750 mating & unmating cycles
<b>Recommended Soldering Temperature:</b>	Wave soldering peaked at 260°C for 5 seconds max.
<b>Operating Temperature:</b>	-40°C to + 70°C
<b>UL File #:</b>	E136228

## ORDERING INFORMATION



### Didn't find what you were looking for?

Please contact [sales@amphenolcanada.com](mailto:sales@amphenolcanada.com) and let us know what you need.

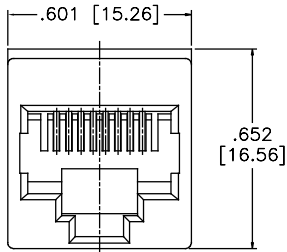
[Click to Return to Table of Contents](#)

# RJE08

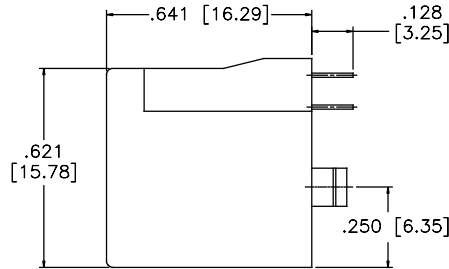
SINGLE AND DUAL PORT, STANDARD PROFILE

## Single Port Non-Shielded

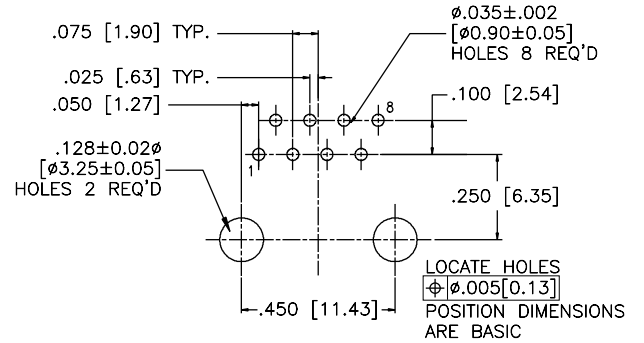
RJE08-188-0X10



TOP VIEW



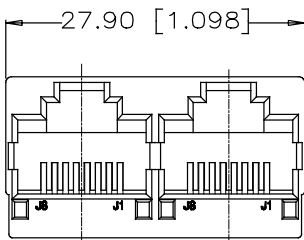
SIDE VIEW



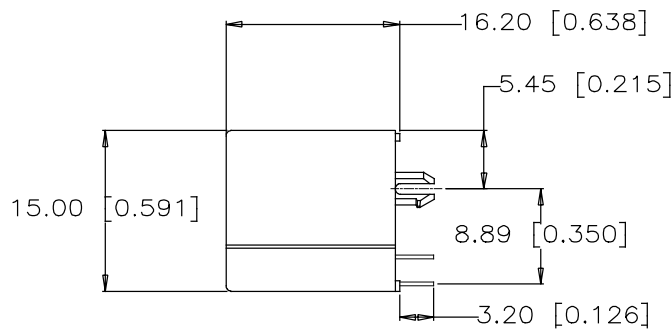
RECOMMENDED PCB LAYOUT

## Dual Port Non-Shielded

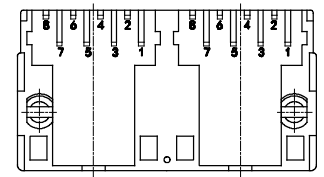
RJE08-288-0X19



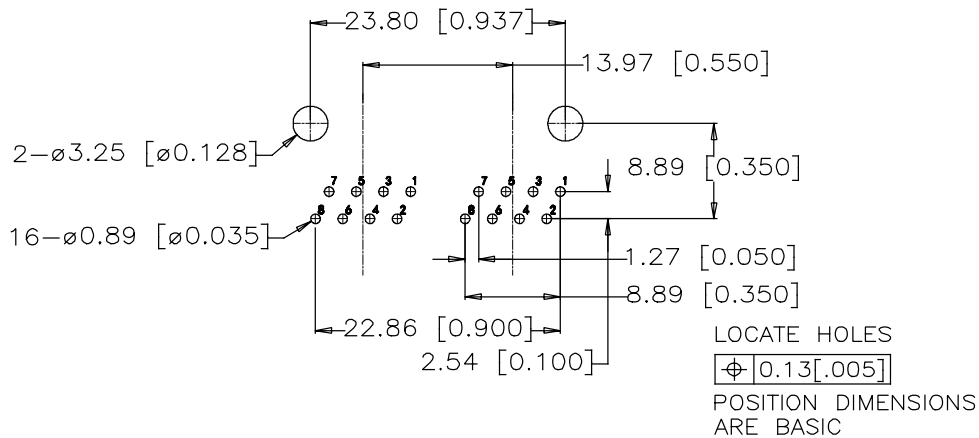
TOP VIEW



SIDE VIEW



BOTTOM VIEW



RECOMMENDED PCB LAYOUT

# RJE74

SINGLE PORT, STANDARD PROFILE

## SINGLE PORT, STANDARD PROFILE

The RJE74 series, with superior EMI shielding, is built to fit your RJ requirements. The vertical 10P10C version is available with an RMK4 key interface to prevent 8P8C plug from entering and damaging the connector. Includes optional Mylar cover for automated assembly equipment.



## SPECIFICATIONS

### Material

<b>Insulator:</b>	High temp. thermoplastic; Complies with UL 94V-0; Black
<b>Contacts:</b>	Phosphor bronze hard temper with 30µ" min. gold thickness over 50µ" min. nickel on contact mating area; 100µ" min. matte tin plating on soldering tail
<b>Shield:</b>	Stainless steel; pure tin dipped tail

### Electrical

<b>Contact Resistance:</b>	20 mΩ max.
<b>Insulation resistance:</b>	500 MΩ min. at 500V DC for 2 mins max.
<b>Current Rating:</b>	1.5 Amps per contact
<b>Voltage Rating:</b>	125 Volts AC
<b>DWV:</b>	1000 VAC, 60 Hz. 1 min.

### Mechanical

<b>Insertion Force:</b>	5 lbs max.
<b>Pull Retention Force:</b>	20 lbs min.
<b>Durability:</b>	750 mating & unmating cycles
<b>Recommended Soldering Temperature:</b>	Peaked at 260°C for 5 secs max.
<b>Operating Temperature:</b>	-55°C to + 85°C
<b>UL File Number:</b>	E135615

Note: Suitable for IR Reflow

## ORDERING INFORMATION

RJE74 - 1 X X - X X 1 X - X

### Number of Ports

1 - 1 Port

### Number of Positions

8 - 8 Positions  
A - 10 Positions

### Number of Contacts

8 - 8 Contacts  
A - 10 Contacts

### Shield Options

0 - No shield  
1 - Full shield

### Packaging

Blank - PBT, tray, without Mylar  
A - High temp housing, tray, without Mylar  
H - High temp housing, tape & reel with Mylar

### Modifier

0 - Standard product  
1 - With RMK4 keying

### Panel Stop Options

1 - No panel stop

### Contact Plating

1 - 6µ" gold plating  
2 - 15µ" gold plating  
3 - 30µ" gold plating  
4 - 50µ" gold plating

Didn't find what you were looking for?

Please contact [sales@amphenolcanada.com](mailto:sales@amphenolcanada.com) and let us know what you need.

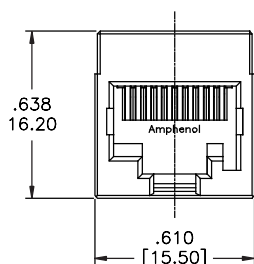
← [Click to Return to Table of Contents](#)

# RJE74

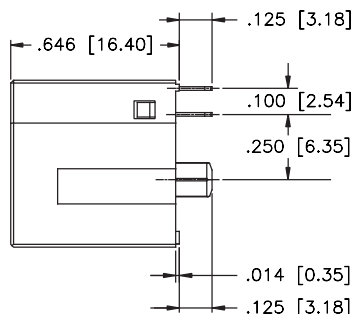
SINGLE PORT, STANDARD PROFILE

## Single Port Non-Shielded

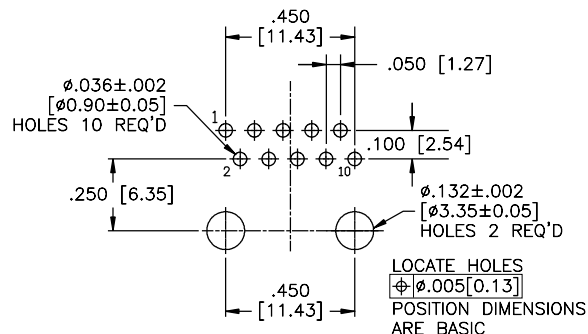
RJE74-1AA-0X10



FRONT VIEW



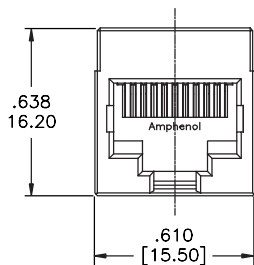
SIDE VIEW



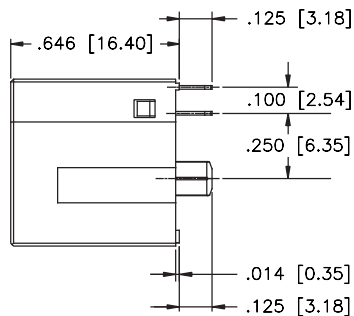
RECOMMENDED PCB LAYOUT

## Non-Shielded with Keying

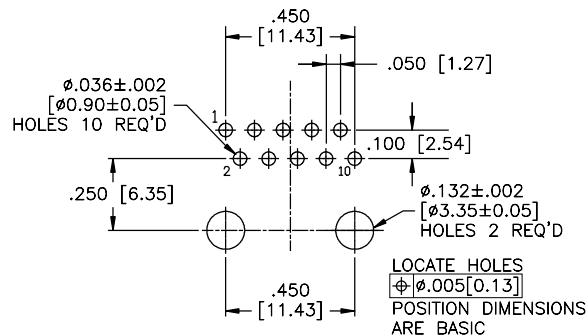
RJE74-1AA-0X11



FRONT VIEW



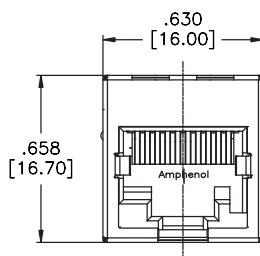
SIDE VIEW



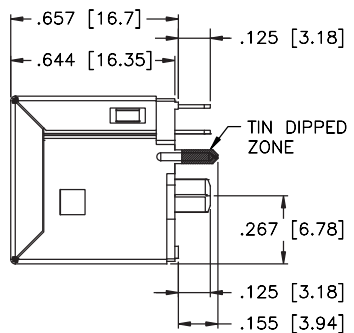
RECOMMENDED PCB LAYOUT

## Shielded with Keying

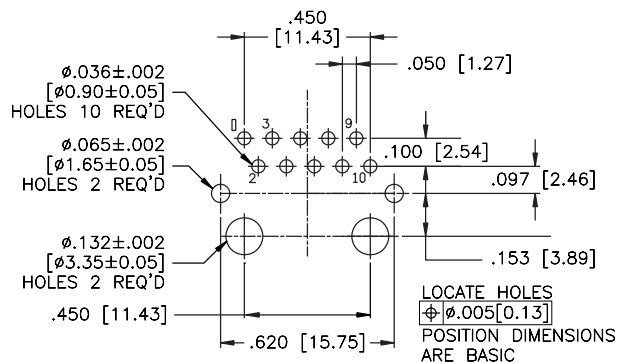
RJE74-1AA-1X11



FRONT VIEW



SIDE VIEW



RECOMMENDED PCB LAYOUT



# RJE88

SINGLE PORT, LOW PROFILE, WITH LEDs

## SINGLE PORT, LOW PROFILE, WITH LEDs

Vertical through-hole (THT) in single port RJ45 configurations with full shield or superior EMI protection. A variety of LED options for link activity and network verification are available. Made with high temperature composite and when accompanied with our high temperature resistant LEDs, these connectors are well suited for the IR Reflow process.



## SPECIFICATIONS

### Material

<b>Insulator:</b>	High temp. thermoplastic; Complies with UL 94V-0; Black
<b>Contacts:</b>	Phosphor bronze hard temper with gold thickness options (6µ", 15µ", 30µ", 50µ") over 50µ" min. nickel on contact mating area; 100µ" min. matte tin plating on soldering tail
<b>Shield:</b>	Stainless steel; pure tin dipped tail
<b>LED:</b>	Tin plating on LED tails

### Mechanical

<b>Insertion Force:</b>	5 lbs max.
<b>Pull Retention Force:</b>	20 lbs min.
<b>Durability:</b>	750 mating & unmating cycles
<b>Recommended Soldering Temperature:</b>	Wave soldering peaked at 260°C for 5 secs max.
<b>Operating Temperature:</b>	-55°C to + 85°C

*Note: Connectors without LEDs are suitable for IR Reflow*

### Electrical

<b>Contact Resistance:</b>	20 mΩ max.
<b>Insulation resistance:</b>	500 MΩ min. at 500V DC for 2 mins max.
<b>Current Rating:</b>	1.5 Amps per contact
<b>Voltage Rating:</b>	125 Volts AC
<b>DWV:</b>	1000 VAC, 60 Hz. 1 min.
<b>LED Forward DC Current:</b>	20mA typical
<b>LED Forward Voltage:</b>	1.9 Volts max. at 2mA (for single colours) 2.6 Volts max. at 2mA (for bicolours)
<b>LED Reverse Voltage:</b>	5 Volts min.
<b>LED Light Intensity:</b>	0.4 to 1.5 mcd min. at 2mA (for single colours) 0.5 mcd min. at 2mA (for bicolours)
<b>LED Wave Length:</b>	Yellow: 587 ± 7 nm measured at 20mA Green: 565 ± 6 nm measured at 20mA Red: 625 ± 5 nm measured at 20mA

## ORDERING INFORMATION

RJE88 - 1 8 8 - X X X X - X

### Number of Ports

1 - 1 Port

### Number of Positions

8 - 8 Positions

### Number of Contacts

8 - 8 Contacts

### Shield Options

- 0 - No shield
- 1 - Shield with PCB tabs, no top and bottom tabs
- 2 - Shield with PCB tabs, top and bottom tabs

### Packaging

- Blank - Tray
- T - Tape & Reel

### Modifier

- 0 - 2.7mm (0.11") tail length
- A - 3.5mm (0.14") tail length

### LED Options

Click to view page 3 for options

### Contact Plating

- 1 - 6µ" gold plating
- 2 - 15µ" gold plating
- 3 - 30µ" gold plating
- 4 - 50µ" gold plating

**Didn't find what you were looking for?**

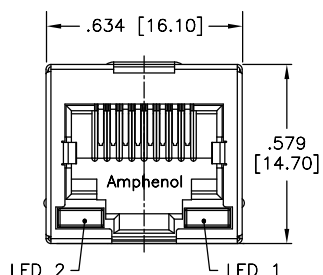
Please contact [sales@amphenolcanada.com](mailto:sales@amphenolcanada.com) and let us know what you need.

← [Click to Return to Table of Contents](#)

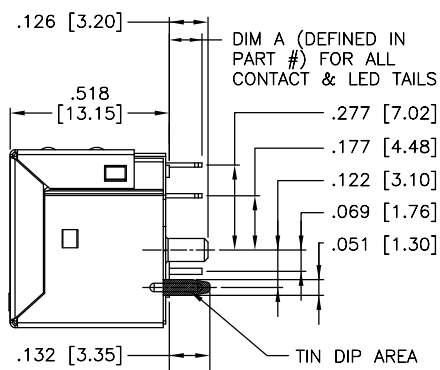
# RJE88

SINGLE PORT, LOW PROFILE, WITH LED<sub>s</sub>

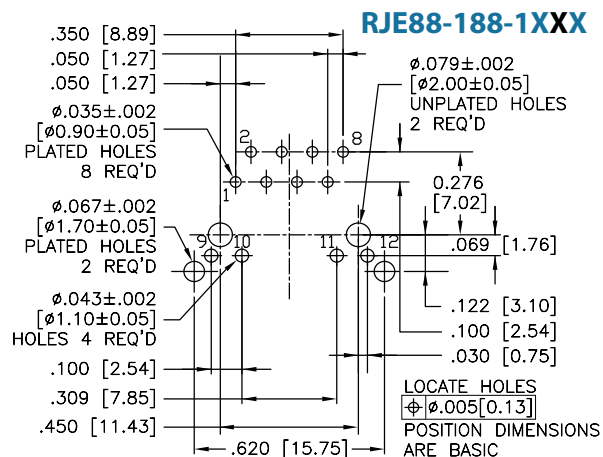
## Single Port Shielded



FRONT VIEW

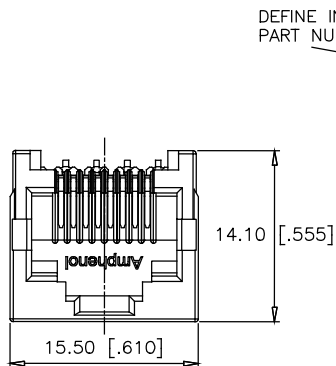


SIDE VIEW

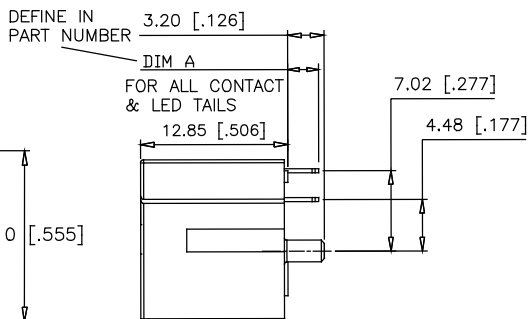


RECOMMENDED PCB LAYOUT

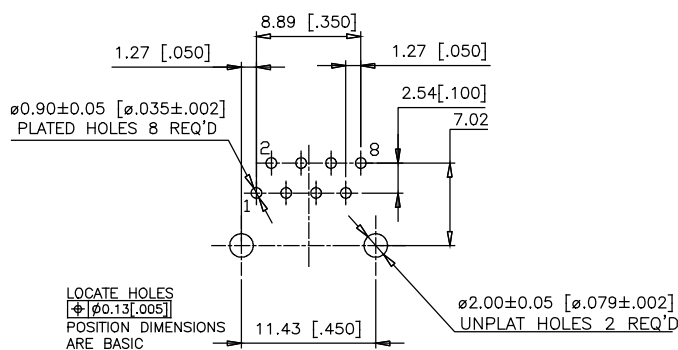
## Non-Shielded



FRONT VIEW



SIDE VIEW



RECOMMENDED PCB LAYOUT

## RJE88-188-0X0X

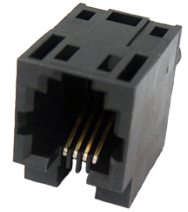
## Notes

# RJE1J

SINGLE PORT, NARROW PROFILE

## PORT, NARROW PROFILE

Multiple position and contact options, single port, vertical connector with no shield or LED options. Made with high temperature thermoplastic this series is suitable for the IR Reflow process. This series is ideal for high volume cost sensitive programs.



## SPECIFICATIONS

### Material

<b>Insulator:</b>	High temp. thermoplastic; Complies with UL 94V-0; Black
<b>Contacts:</b>	Phosphor bronze hard temper with gold thickness options (6µ", 15µ", 30µ", 50µ") over 50µ" min. nickel on contact mating area; 100µ" min. matte tin plating on tail

### Electrical

<b>Contact Resistance:</b>	20 mΩ max.
<b>Insulation resistance:</b>	500 MΩ min. at 500V DC for 2 mins max.
<b>Current Rating:</b>	1.5 Amps per contact
<b>Voltage Rating:</b>	125 Volts AC
<b>DWV:</b>	1000 VAC, 60 Hz. 1 min.

### Mechanical

<b>Insertion Force:</b>	5 lbs max.
<b>Pull Retention Force:</b>	20 lbs min.
<b>Durability:</b>	750 mating & unmating cycles
<b>Recommended Soldering Temperature:</b>	Wave soldering peaked at 260°C for 5 secs max.
<b>Operating Temperature:</b>	-55°C to + 85°C
<b>UL File Number:</b>	E135615

*Note: Suitable for IR Reflow*

## ORDERING INFORMATION

RJE1J - 1 X X - 0 X 1 0 - X

<b>Number of Ports</b>	1 - 1 Port	<b>Packaging</b>	Blank - Tray T - Tape & Reel
<b>Number of Positions</b>	4 - 4 Positions 6 - 6 Positions 8 - 8 Positions	<b>Modifier</b>	0 - Standard product
<b>Number of Contacts</b>	2 - 2 Contacts 4 - 4 Contacts 6 - 6 Contacts 8 - 8 Contacts	<b>Panel Stop Options</b>	1 - Black housing
<b>Shield Options</b>	0 - No shield	<b>Contact Plating</b>	1 - 6µ" gold plating 2 - 15µ" gold plating 3 - 30µ" gold plating 4 - 50µ" gold plating

**Didn't find what you were looking for?**

Please contact [sales@amphenolcanada.com](mailto:sales@amphenolcanada.com) and let us know what you need.

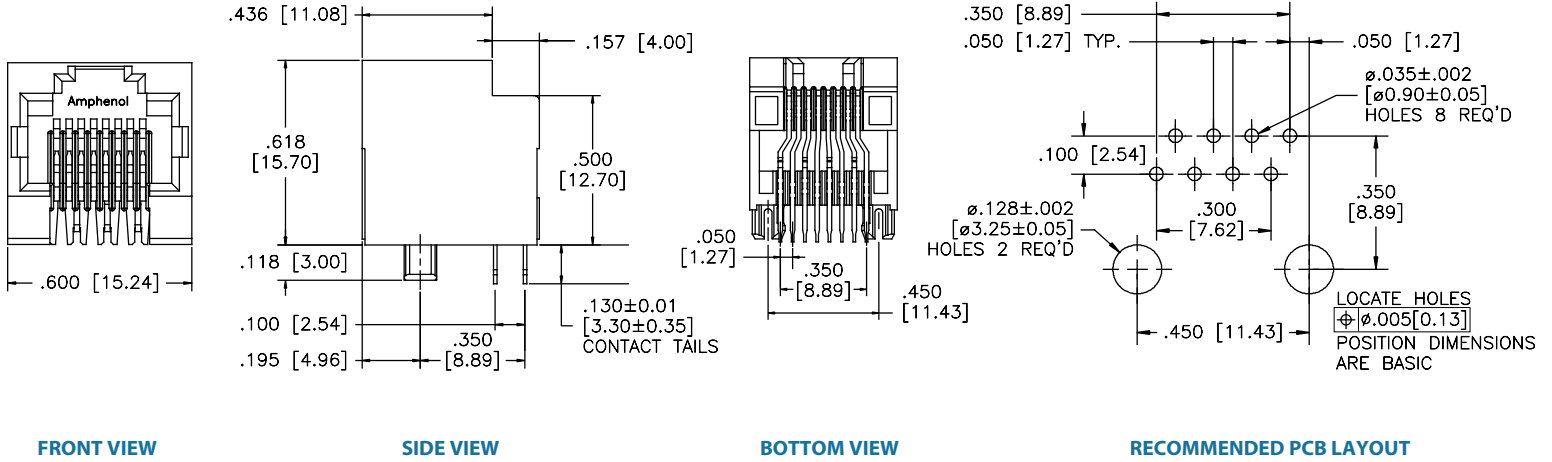
[Click to Return to Table of Contents](#)

# RJE1J

SINGLE PORT, NARROW PROFILE

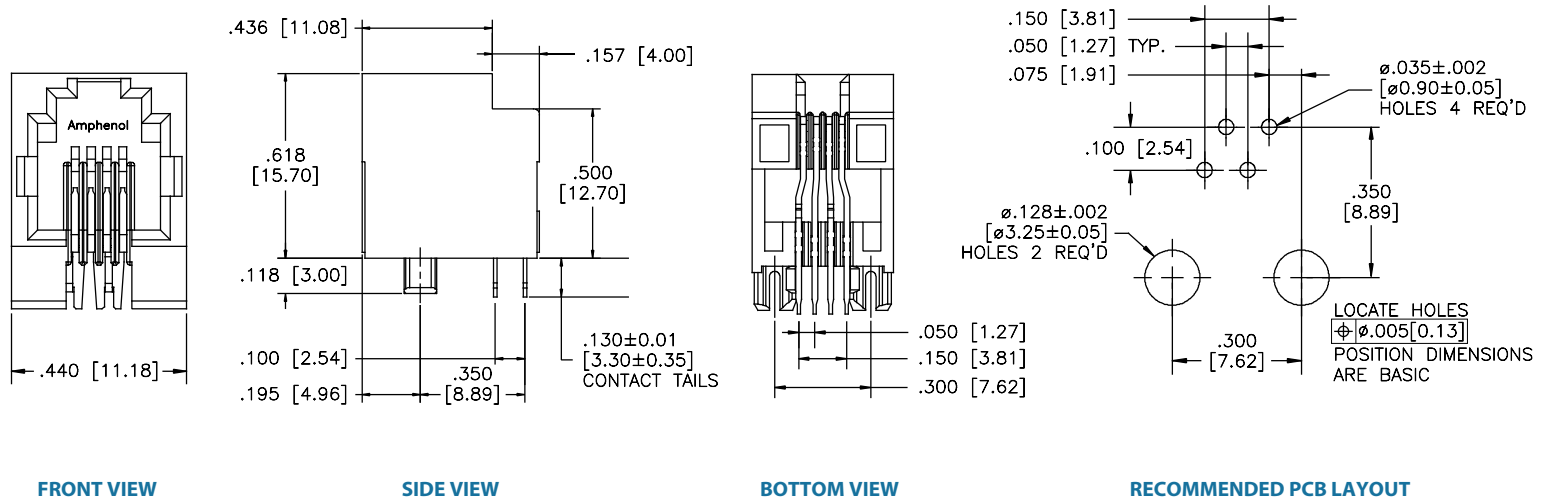
## Single Port Non-Shielded

RJE1J-188-0X10



## Non-Shielded

RJE1J-144-0X10

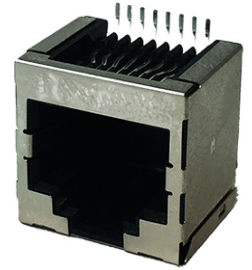


# RJE23

SINGLE PORT, SURFACE MOUNT

## SINGLE PORT, SURFACE MOUNT

The RJE23 series is designed for high volume production where a vertical modular jack is required. Shielding provides increased EMI performance. Surface mount contacts and hold-down nail bracket assist in speeding up the production process.



## SPECIFICATIONS

### Material

<b>Insulator:</b>	High temp. thermoplastic; Complies with UL 94V-0; Black
<b>Contacts:</b>	Phosphor bronze hard temper with gold thickness options (6 $\mu$ ", 15 $\mu$ ", 30 $\mu$ ", 50 $\mu$ ") over 50 $\mu$ " min. nickel on contact mating area; 100 $\mu$ " min. matte tin plating over nickel on soldering tail
<b>Shield:</b>	Copper alloy; matte tin plating
<b>Hold Down:</b>	Copper alloy; matte tin plating
<b>Coplanarity:</b>	0.004" max. gap between all terminal tails

### Mechanical

<b>Insertion Force:</b>	5 lbs max.
<b>Pull Retention Force:</b>	20 lbs min.
<b>Durability:</b>	750 mating & unmating cycles
<b>Operating Temperature:</b>	-55°C to +85°C
<b>UL File Number:</b>	E135615

*Note: Connector is suitable for IR Reflow*

### Electrical

<b>Contact Resistance:</b>	20 m $\Omega$ max.
<b>Insulation resistance:</b>	500 M $\Omega$ min. at 500V DC for 2 mins max.
<b>Current Rating:</b>	1.5 Amps per contact
<b>Voltage Rating:</b>	125 Volts AC
<b>DWV:</b>	1000 VAC, 60 Hz. 1 min.

## ORDERING INFORMATION

RJE23 - 1 X X - X X X X - X

### Number of Ports

1 - 1 Port

### Number of Positions

4 - 4 Positions  
6 - 6 Positions  
8 - 8 Positions

### Number of Contacts

4 - 4 Contacts  
6 - 6 Contacts  
8 - 8 Contacts

### Shield Options

0 - No shield  
2 - Shield with no tabs  
3 - Shield with side tabs

### Packaging

Blank - Tray  
T - Tape & Reel

### Modifier

3 - Standard with solderplate & mylar tape  
4 - Standard with solderplate  
6 - Standard with solderplate inward

### Housing/Panel Stop Options

1 - Black housing without panel stop  
2 - Black housing with panel stop

### Contact Plating

1 - 6 $\mu$ " gold plating  
2 - 15 $\mu$ " gold plating  
3 - 30 $\mu$ " gold plating  
4 - 50 $\mu$ " gold plating

**Didn't find what you were looking for?**

Please contact [sales@amphenolcanada.com](mailto:sales@amphenolcanada.com) and let us know what you need.

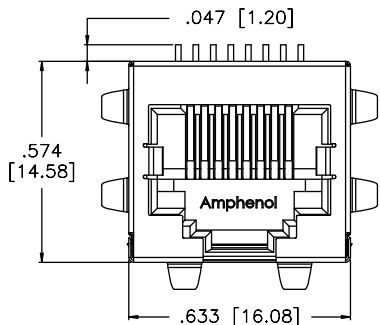
[← Click to Return to Table of Contents](#)

# RJE23

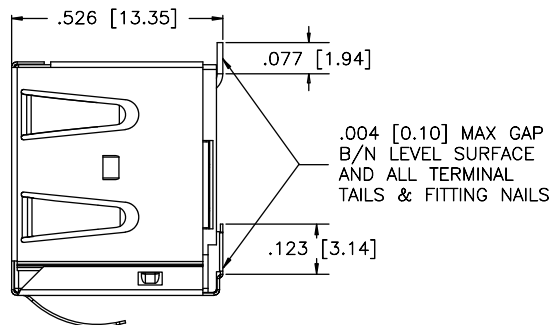
SINGLE PORT, SURFACE MOUNT

## Single Port Shielded

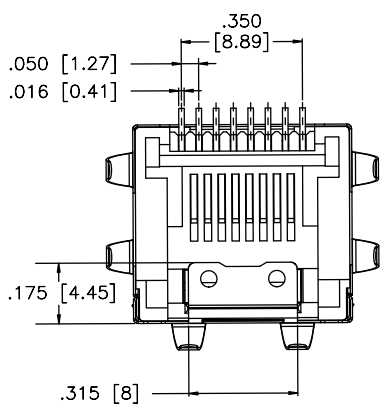
RJE23-188-3X16



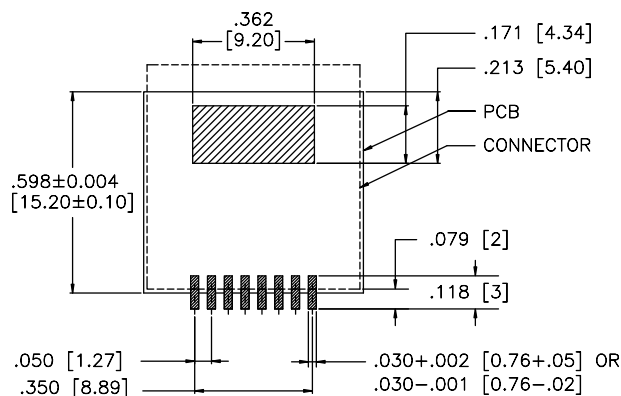
FRONT VIEW



SIDE VIEW



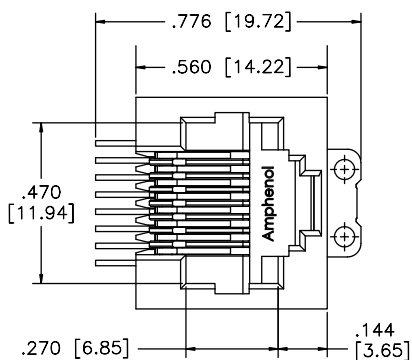
BOTTOM VIEW



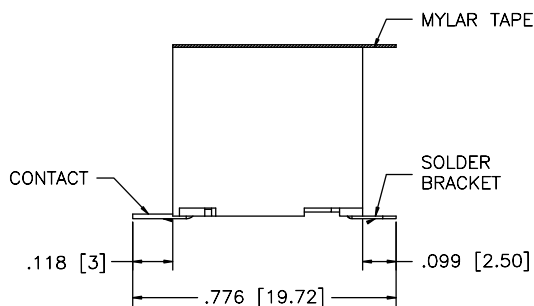
RECOMMENDED PCB LAYOUT

## Non-Shielded

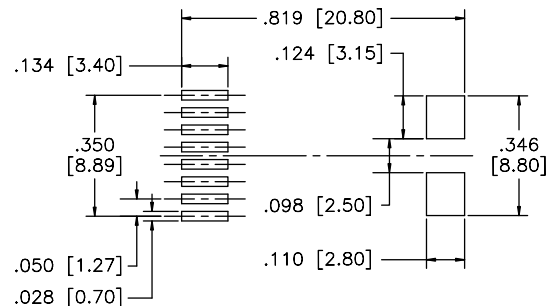
RJE23-188-0X13



FRONT VIEW



SIDE VIEW



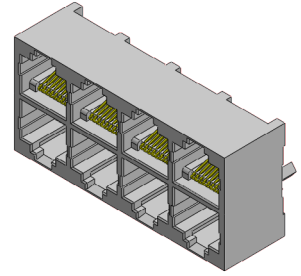
RECOMMENDED PCB LAYOUT

# RJE4N

VERTICAL, 2X4 PORT

## VERTICAL, 2X4 PORT

RJ45, vertical, multi-port connector in a 2x4 port configuration. Standard height profile available in both shielded and unshielded versions. Can be designed into various networking devices that require multiple ports and limited space.



## SPECIFICATIONS

### Material

<b>Insulator:</b>	Engineering thermoplastic, complies with UL94V-0, Black colour
<b>Contacts:</b>	Phosphor bronze hard temper with gold thickness options (6µ", 15µ", 30µ", 50µ") over 50µ" min. nickel on contact mating area; 100µ" minimum Nickel on contact mating area Gold flash on soldering tails
<b>Shield:</b>	Copper alloy with Nickel plating underplated

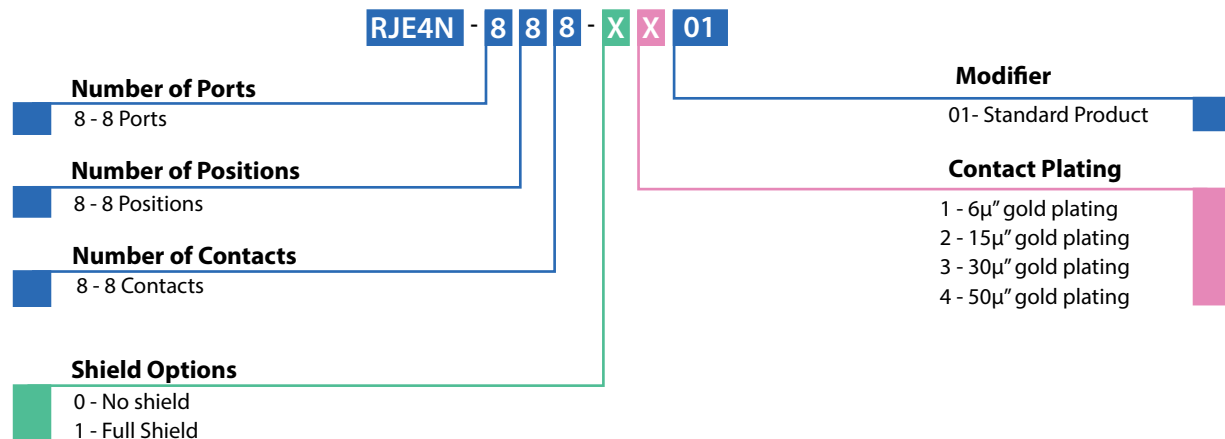
### Mechanical

<b>Insertion Force:</b>	5 lbs max.
<b>Pull Retention Force:</b>	20 lbs min.
<b>Durability:</b>	750 mating & unmating cycles
<b>Operating Temperature:</b>	-55°C to +85°C
<b>Soldering Temperature:</b>	Wave soldering peaked at 260°C for 5 seconds maximum

### Electrical

<b>Contact Resistance:</b>	20 mΩ max.
<b>Insulation resistance:</b>	500 MΩ min. at 500V DC for 2 mins max.
<b>Current Rating:</b>	1.5 Amps per contact
<b>Voltage Rating:</b>	125 Volts AC
<b>DWV:</b>	1000 VAC, 60 Hz. 1 min.

## ORDERING INFORMATION



### Didn't find what you were looking for?

Please contact [sales@amphenolcanada.com](mailto:sales@amphenolcanada.com) and let us know what you need.

[← Click to Return to Table for Contents](#)



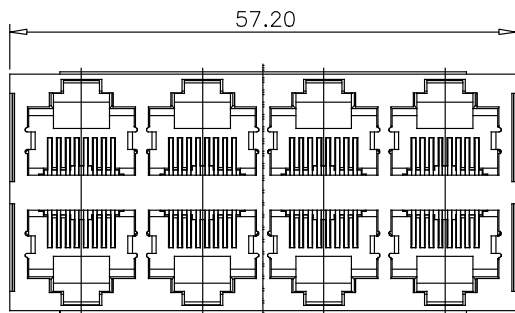
# RJE4N

VERTICAL, 2X4 PORT

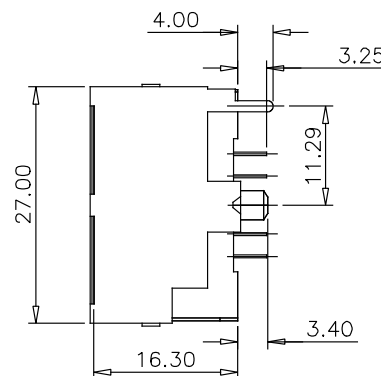
## Eight Ports

RJE4N-888-1X01

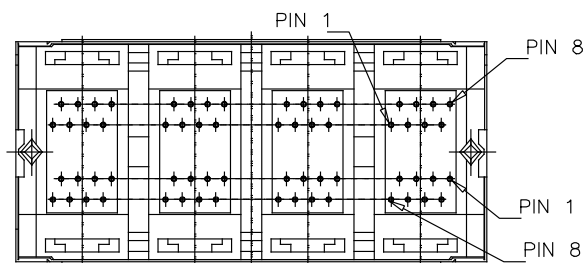
Shielded



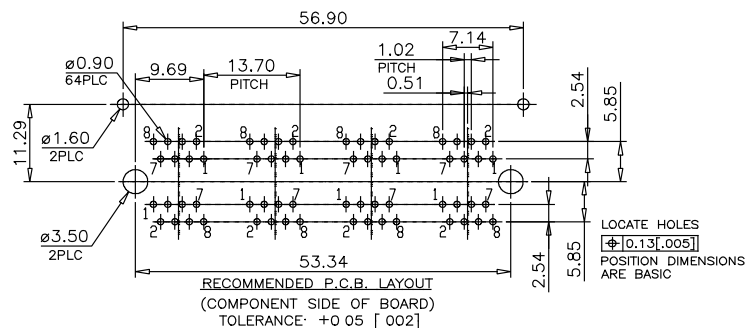
FRONT VIEW



SIDE VIEW



BOTTOM VIEW



RECOMMENDED PCB LAYOUT

## Notes

# RJE36

RJ45 OVER USB

## RJ45 OVER USB

RJ 45 over USB 2.0 type. A unique series that combines two different types of connectors: RJ45 and USB connectors. Configurations include RJ45 over a single USB and RJ45 over two USBs. The RJ is available with or without LEDs for link activity and network verification. Full shield for superior EMI protection with EMI tabs options.



## SPECIFICATIONS

### Material

<b>Insulator:</b>	Engineering thermoplastic; Complies with UL 94V-0; Black
<b>Contacts:</b>	Phosphor bronze hard temper with gold thickness options (6µ", 15µ", 30µ", 50µ") over 50µ" min. nickel on contact mating area; 100µ" min. matte tin plating on soldering tail
<b>Shield:</b>	Copper alloy plated with Nickel
<b>LED:</b>	Tin plating on LED tails

### Mechanical

<b>Insertion Force:</b>	5 lbs max.
<b>Pull Retention Force:</b>	20 lbs min.
<b>Durability:</b>	750 mating & unmating cycles
<b>Recommended Soldering Temperature:</b>	Wave soldering peaked at 260°C for 5 secs max.
<b>Operating Temperature:</b>	-20°C to + 85°C
<b>UL File #:</b>	E136228

### Electrical

<b>Contact Resistance:</b>	20 mΩ max.
<b>Insulation resistance:</b>	500 MΩ min. at 500V DC for 2 mins max.
<b>Current Rating:</b>	1.5 Amps per contact
<b>Voltage Rating:</b>	125 Volts AC
<b>DWV:</b>	Contact to contact: 1000 VAC, 60 Hz. 1 min.
<b>LED Forward DC Current:</b>	20mA typical
<b>LED Forward Voltage:</b>	1.6 -2.4 Volts max. at 2mA (for single colours)
<b>LED Reverse Voltage:</b>	5 Volts min.
<b>LED Light Intensity:</b>	2 to 12 mcd min. at 20mA (for single colours)
<b>LED Wave Length:</b>	Yellow: 590 ± 5 nm measured at 20mA Green: 570 ± 5 nm measured at 20mA Red: 650 ± 15 nm measured at 20mA

## ORDERING INFORMATION

RJE36 - 1 8 8 - X X X X

#### Number of Ports

1 - 1 Port RJ45

#### Number of Positions

8 - 8 Positions

#### Number of Contacts

8 - 8 Contacts

#### Shield Options

- 0 - No shield
- 1 - Shield without top and side tabs, but with front tabs
- 2 - Shield without top and side tabs
- 3 - Shield with top and side tabs

#### Modifier

- 3 - RJ45 over one USB 2.0
- 5 - RJ45 over two USB 3.0
- 7 - RJ45 over single USB 3.0

#### LED Options

Click to view page 3 for options

#### Contact Plating

- 1 - 6µ" gold plating
- 2 - 15µ" gold plating
- 3 - 30µ" gold plating
- 4 - 50µ" gold plating

**Didn't find what you were looking for?**

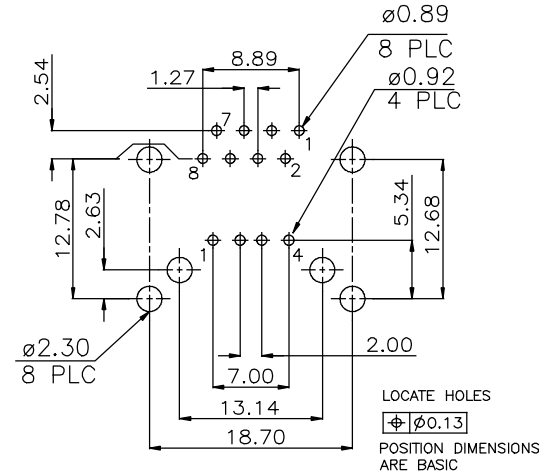
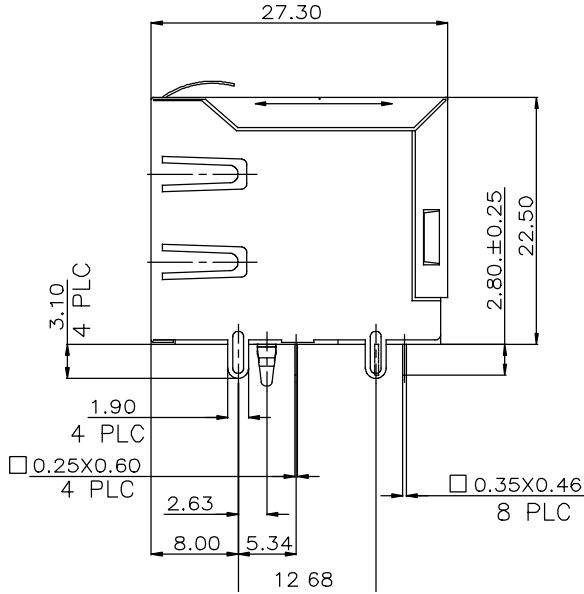
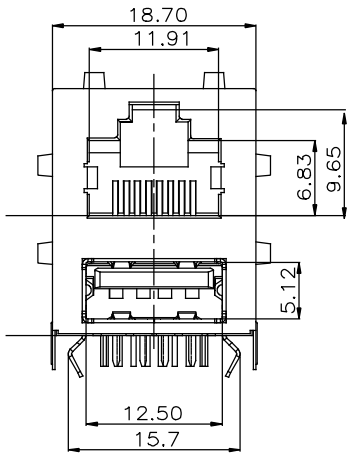
Please contact [sales@amphenolcanada.com](mailto:sales@amphenolcanada.com) and let us know what you need.

# RJE36

RJ45 OVER USB

## Single Port Shielded

RJE36-188-2X03



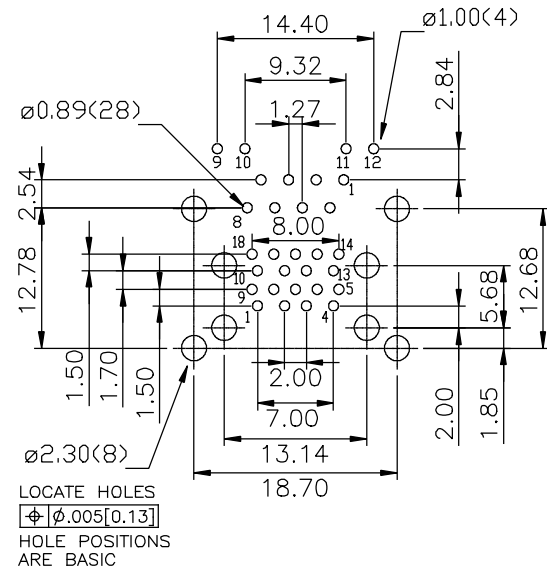
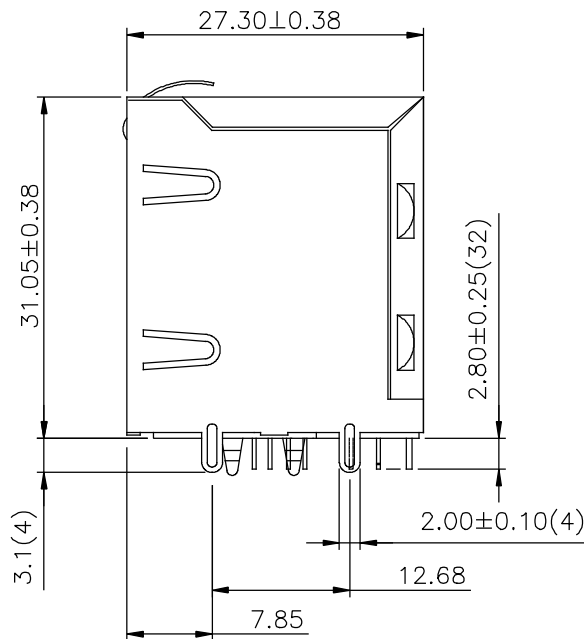
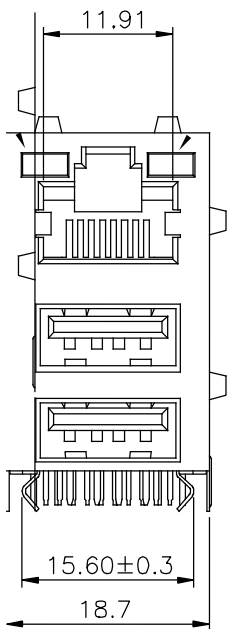
FRONT VIEW

SIDE VIEW

RECOMMENDED PCB LAYOUT

## Dual Port Shielded with LEDs

RJE36-188-3XX5



FRONT VIEW

SIDE VIEW

RECOMMENDED PCB LAYOUT

# RJSAE

2, 4 AND 8 PORTS WITH LED AND SHIELD OPTIONS

## 2, 4 AND 8 PORTS WITH LED AND SHIELD OPTIONS



The RJSAE is a RJ45 stackable connector that reduces component and labor costs by incorporating LEDs. Its stackable feature enables more ports with the same board space. With superior EMI performance, the option of configuring your connector with a ferrite filter is available to further reduce crosstalk in noisy applications.

### SPECIFICATIONS

#### Material

<b>Insulator:</b>	High temp. thermoplastic; Complies with UL 94V-0; Black
<b>Contacts:</b>	Phosphor bronze hard temper with gold thickness options (6µ", 15µ", 30µ", 50µ") over 50µ" min. nickel on contact mating area; 100µ" min. matte tin plating on tail
<b>Shield:</b>	Copper alloy; nickel plated or stainless steel with tin dripped tail (as specified in drawing)
<b>LED:</b>	Tin plating on LED tail

#### Mechanical

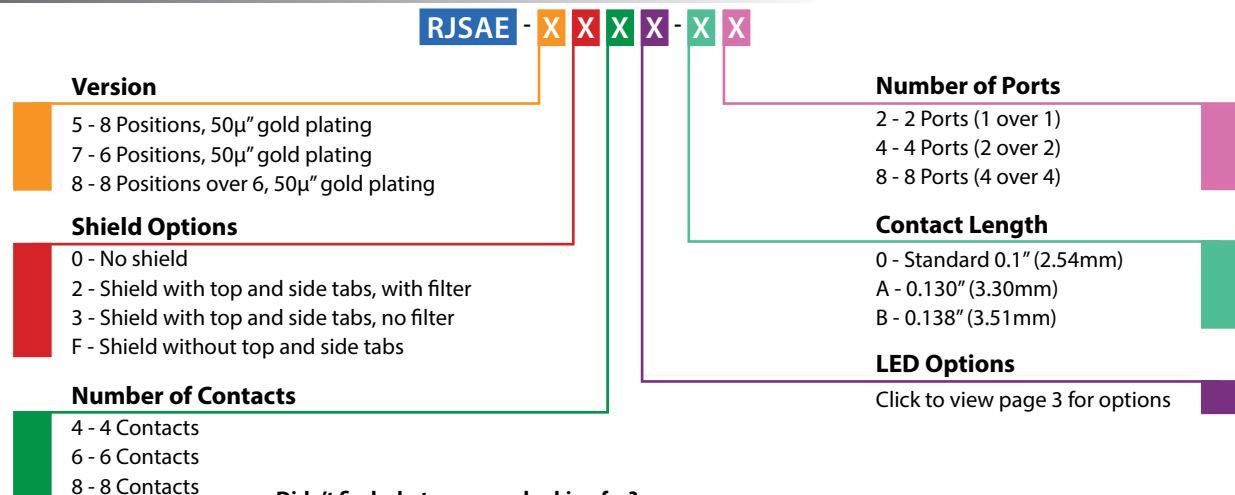
<b>Insertion Force:</b>	5 lbs max.
<b>Pull Retention Force:</b>	20 lbs min.
<b>Durability:</b>	750 mating & unmating cycles
<b>Recommended Soldering Temperature:</b>	Wave soldering peaked at 260°C for 5 secs max.
<b>Operating Temperature:</b>	-55°C to + 85°C
<b>UL File #:</b>	E135615
<b>CSA File #:</b>	150190

*Note: Connectors without LEDs are suitable for IR Reflow;  
Connectors with Reflow LEDs available*

#### Electrical

<b>Contact Resistance:</b>	20 mΩ max.
<b>Insulation resistance:</b>	500 MΩ min. at 500V DC for 2 mins max.
<b>Current Rating:</b>	1.5 Amps per contact
<b>Voltage Rating:</b>	125 Volts AC
<b>DWV:</b>	Contact to contact: 1000 VAC, 60 Hz. 1 min.
<b>LED Forward DC Current:</b>	20mA typical
<b>LED Forward Voltage:</b>	1.9 Volts max. at 2mA (for single colours) 2.6 Volts max. at 2mA (for bicolours)
<b>LED Reverse Voltage:</b>	5 Volts min.
<b>LED Light Intensity:</b>	0.4 to 1.5 mcd min. at 2mA (for single colours) 0.5 mcd min. at 2mA (for bicolours)
<b>LED Wave Length:</b>	Yellow: 587 ± 7 nm measured at 20mA Green: 565 ± 6 nm measured at 20mA Red: 625 ± 5 nm measured at 20mA

### ORDERING INFORMATION



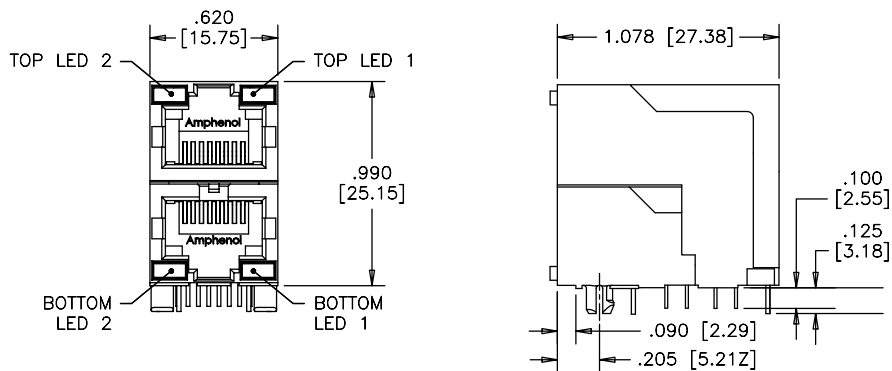
**Didn't find what you were looking for?**

Please contact [sales@amphenolcanada.com](mailto:sales@amphenolcanada.com) and let us know what you need.

[Click to Return to Table of Contents](#)

## Single Port

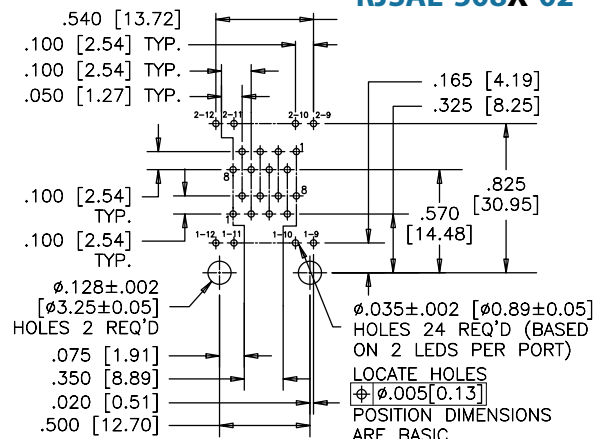
### Non-Shielded



FRONT VIEW

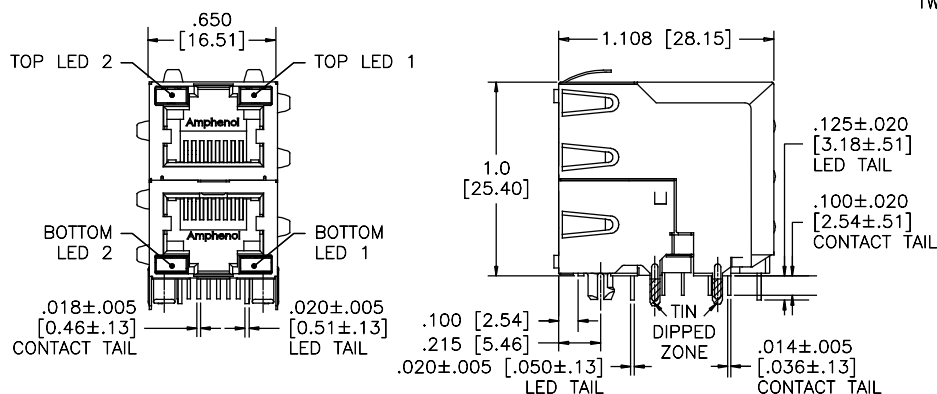
SIDE VIEW

### RJSAE-508X-02



RECOMMENDED PCB LAYOUT

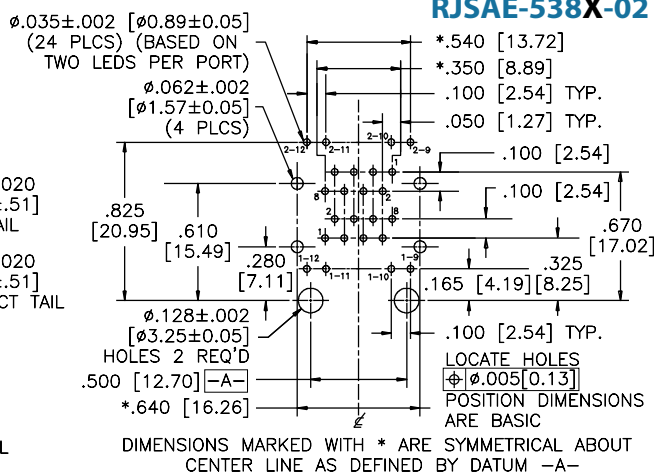
### Shielded



FRONT VIEW

SIDE VIEW

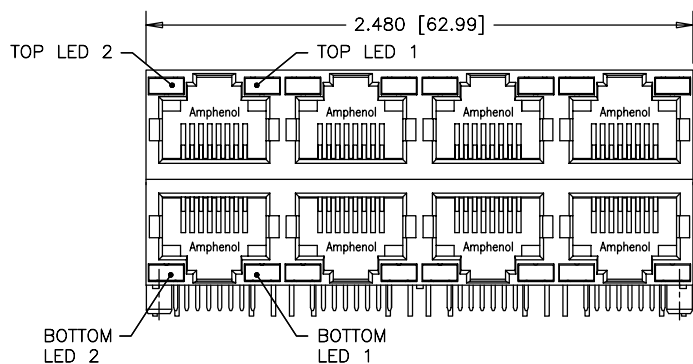
### RJSAE-538X-02



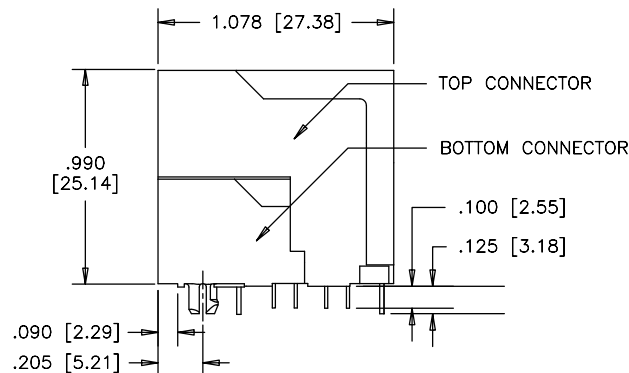
RECOMMENDED PCB LAYOUT

## Multi Port

### Non-Shielded



FRONT VIEW

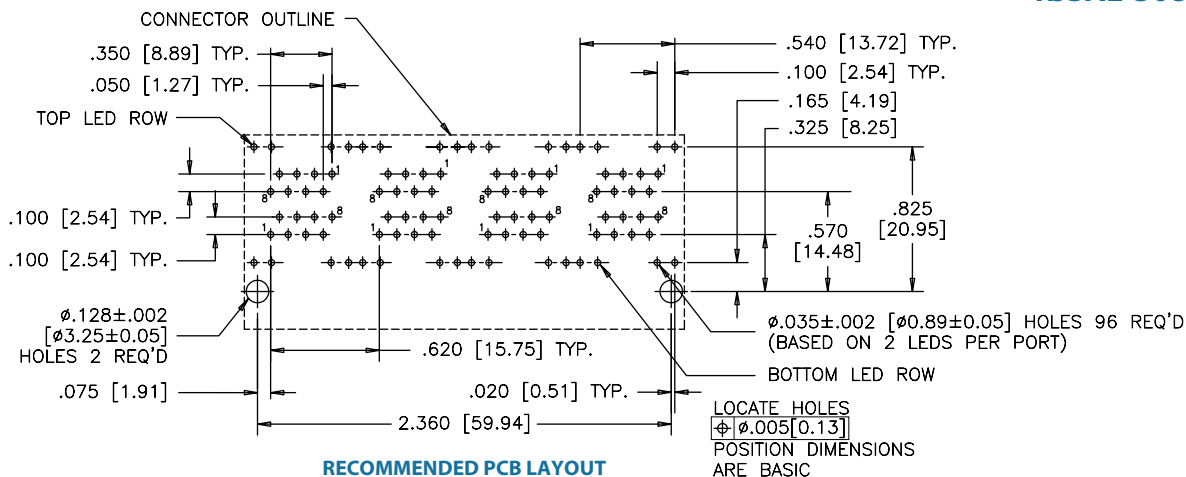


SIDE VIEW

### RJSAE-508X-08

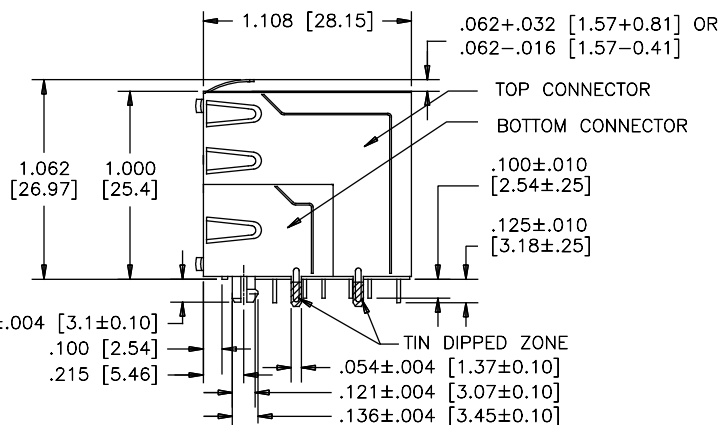
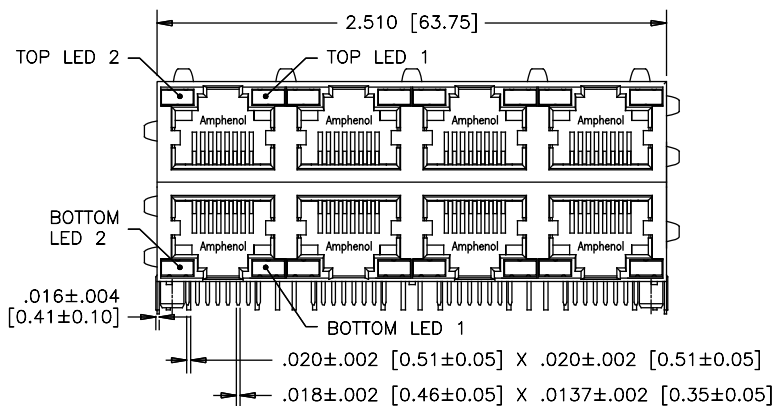
## Multi Port Non-Shielded

RJSAE-508X-08



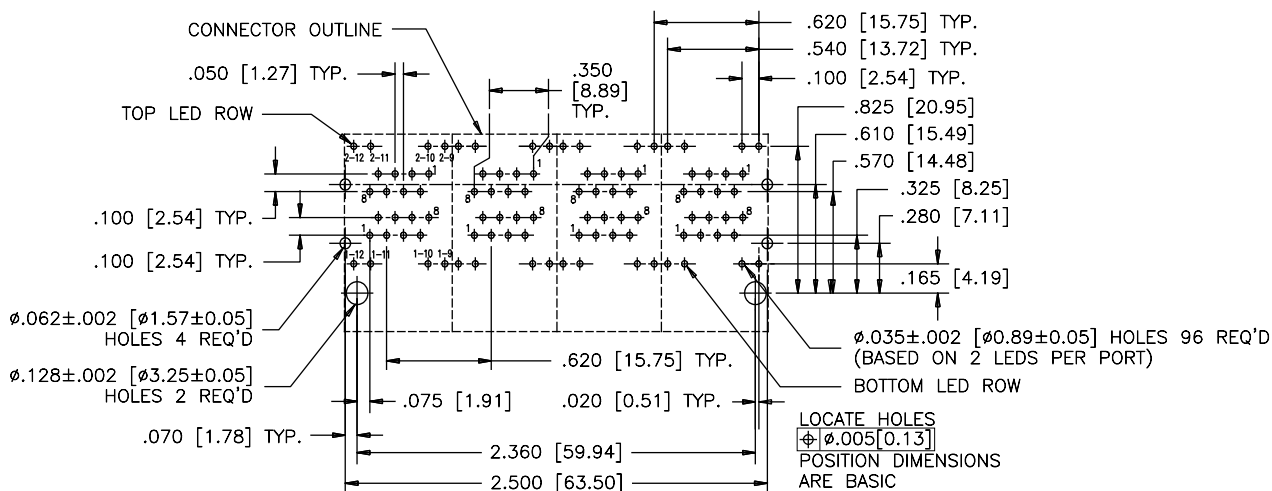
## Shielded

RJSAE-538X-08



FRONT VIEW

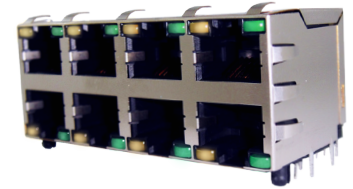
SIDE VIEW





## 4 OVER 4 PORTS WITH LED AND SHIELD OPTIONS

The RJSNE series is a stacked connector that offers LED options for link activity and network verification. It is available with or without shielding. The RJSNE series also includes a unique inner shield device to reduce the crosstalk between top and bottom ports.



## SPECIFICATIONS

### Material

<b>Insulator:</b>	Engineering thermoplastic; Complies with UL 94V-0; Black
<b>Contacts:</b>	Phosphor bronze hard temper with gold thickness options (6µ", 15µ", 30µ", 50µ") over 50µ" min. nickel on contact mating area; 100µ" min. matte tin plating on tail
<b>Shield:</b>	Copper alloy; nickel plated or stainless steel with tin dipped tail
<b>LED:</b>	Pure tin plating on LED tail

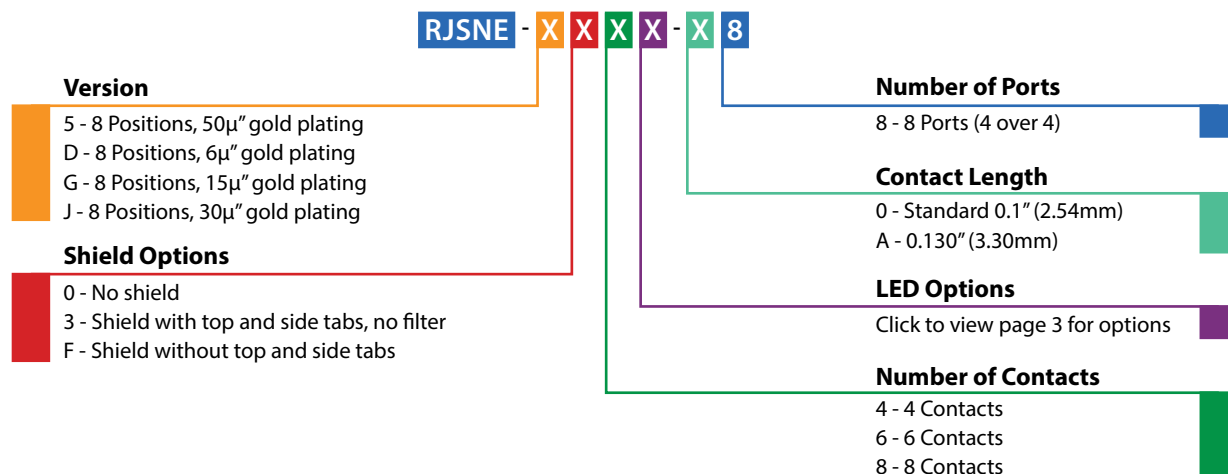
### Mechanical

<b>Insertion Force:</b>	5 lbs max.
<b>Pull Retention Force:</b>	20 lbs min.
<b>Durability:</b>	750 mating & unmating cycles
<b>Recommended Soldering Temperature:</b>	Wave soldering peaked at 260°C for 5 secs max.
<b>Operating Temperature:</b>	-40°C to + 85°C
<b>UL File #:</b>	E135615
<b>CSA File #:</b>	150190

### Electrical

<b>Contact Resistance:</b>	20 mΩ max.
<b>Insulation resistance:</b>	500 MΩ min. at 500V DC for 2 mins max.
<b>Current Rating:</b>	1.5 Amps per contact
<b>Voltage Rating:</b>	125 Volts AC
<b>DWV:</b>	1000 VAC, 60 Hz. 1 min.
<b>LED Forward DC Current:</b>	20mA typical
<b>LED Forward Voltage:</b>	1.9 Volts max. at 2mA (for single colours) 2.6 Volts max. at 20mA (for bicolours)
<b>LED Reverse Voltage:</b>	5 Volts min.
<b>LED Light Intensity:</b>	0.4 to 1.5 mcd min. at 2mA (for single colours) 0.5 mcd min. at 2mA (for bicolours)
<b>LED Wave Length:</b>	Yellow: 587 ± 7 nm measured at 20mA Green: 565 ± 6 nm measured at 20mA Red: 625 ± 5 nm measured at 20mA

## ORDERING INFORMATION



Didn't find what you were looking for?

Please contact [sales@amphenolcanada.com](mailto:sales@amphenolcanada.com) and let us know what you need.

← Click to Return to Table of Contents



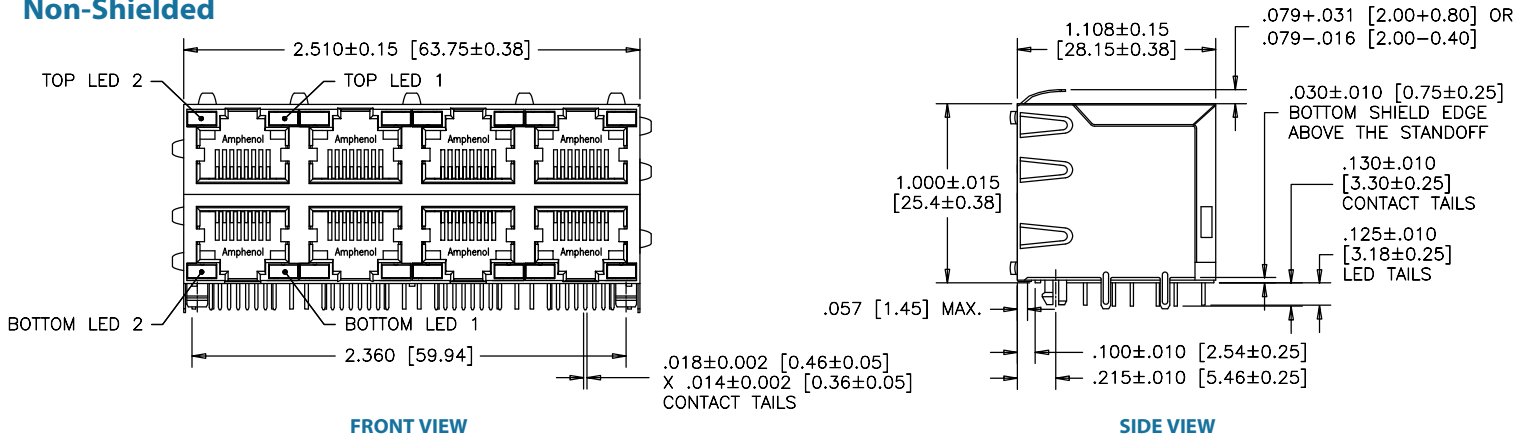
# RJSNE

2, 4 AND 8 PORTS WITH LED AND SHIELD OPTIONS

## Single Port

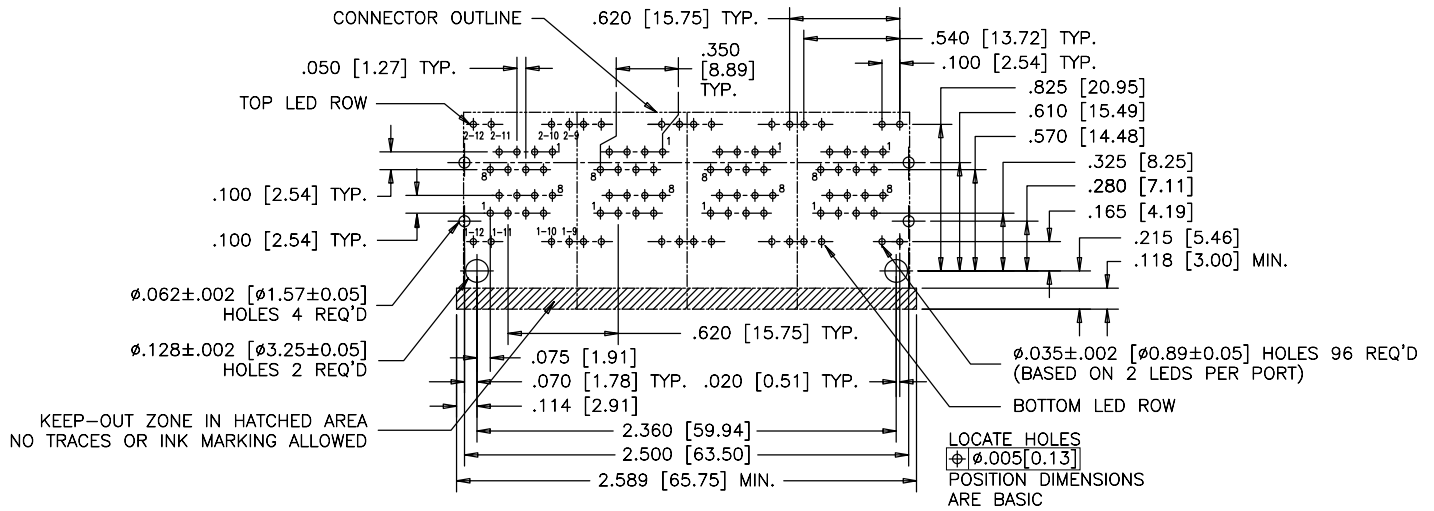
### Non-Shielded

## RJSNE-538X-X8



FRONT VIEW

SIDE VIEW



RECOMMENDED PCB LAYOUT

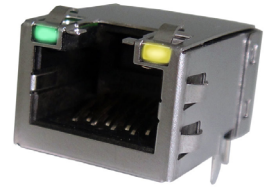
### Notes

# RJE48

CAT 5e, RIGHT ANGLE, LOW PROFILE, WITH LEDs

## RIGHT ANGLED, LOW PROFILE, WITH LEDs

The RJE48 series of modular jacks meet CAT 5e performance per EIA-568-C.2. It supports Gigabit Ethernet Protocols. Shielding is available for increased EMI performance and LEDs for link activity and network verification.



## SPECIFICATIONS

### Material

<b>Insulator:</b>	High temp. thermoplastic; Complies with UL 94V-0; Black
<b>Contacts:</b>	Phosphor bronze hard temper with gold thickness options (6µ", 15µ", 30µ", 50µ") over 50µ" min. nickel on contact mating area; 100µ" min. matte tin plating on solder tails
<b>Shield:</b>	Stainless steel with tin dipped tails
<b>LED:</b>	Tin plating on LED tail

### Mechanical

<b>Insertion Force:</b>	5 lbs max.
<b>Pull Retention Force:</b>	20 lbs min.
<b>Durability:</b>	750 mating & unmating cycles
<b>Recommended Soldering Temperature:</b>	Wave soldering peaked at 260°C for 5 secs max.
<b>Operating Temperature:</b>	-55°C to + 85°C
<b>UL File Number:</b>	E135615

### Electrical

<b>Contact Resistance:</b>	20 mΩ max.
<b>Insulation resistance:</b>	500 MΩ min. at 500V DC for 2 mins max.
<b>Current Rating:</b>	1.25 Amps per contact
<b>Voltage Rating:</b>	125 Volts AC
<b>DWV:</b>	1000 VAC, 60 Hz. 1 min.
<b>LED Forward DC Current:</b>	20mA typical
<b>LED Forward Voltage:</b>	1.9 Volts max. at 2mA (for single colours) 2.6 Volts max. at 20mA (for bicolours)
<b>LED Reverse Voltage:</b>	5 Volts min.
<b>LED Light Intensity:</b>	0.4 to 1.5 mcd min. at 2mA (for single colours) 0.5 mcd min. at 2mA (for bicolours)
<b>LED Wave Length:</b>	Yellow: 587 ± 7 nm measured at 20mA Green: 565 ± 6 nm measured at 20mA Red: 625 ± 5 nm measured at 20mA

## ORDERING INFORMATION

RJE48 - X 8 8 - X X X 1 - X

### Number of Ports

- 1 - 1 Port
- 4 - 4 Port

### Number of Positions

- 8 - 8 Positions

### Number of Contacts

- 8 - 8 Contacts

### Shield Options

- 0 - No shield
- 1 - Full shield with top and side tabs
- 3 - Full shield with top tabs only

### Packaging

- Blank - Tray
- T - Tape & Reel

### Modifier

- 1 - 3.00mm tail length

### LED Options

- Click to view page 3 for options

### Contact Plating

- 1 - 6µ" gold plating
- 2 - 15µ" gold plating
- 3 - 30µ" gold plating
- 4 - 50µ" gold plating

### Didn't find what you were looking for?

Please contact [sales@amphenolcanada.com](mailto:sales@amphenolcanada.com) and let us know what you need.

[Click to Return to Table of Contents](#)

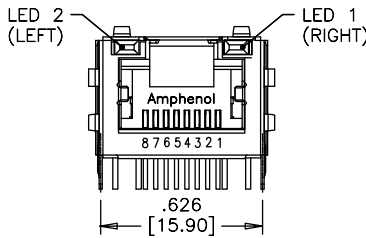
# RJE48

CAT 5e, RIGHT ANGLE, LOW PROFILE, WITH LEDs

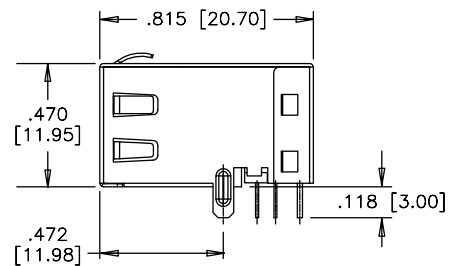
## Single Port

Shielded

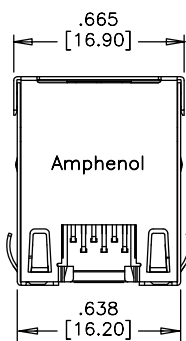
RJE48-188-1XX1



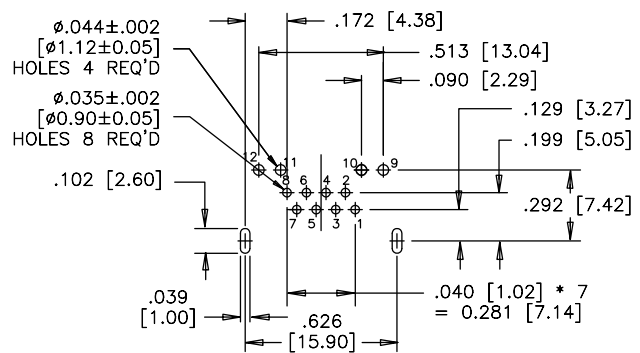
FRONT VIEW



SIDE VIEW



TOP VIEW

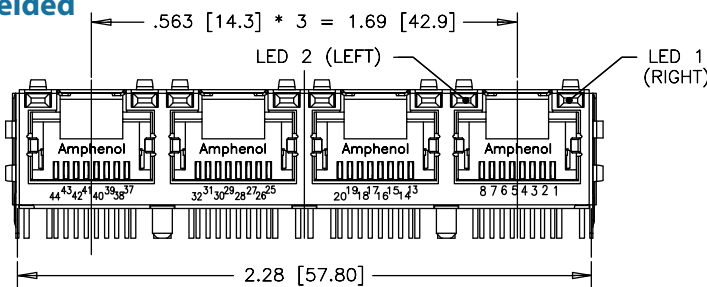


RECOMMENDED PCB LAYOUT

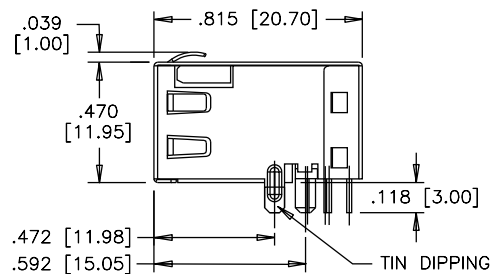
## Multi Port

Shielded

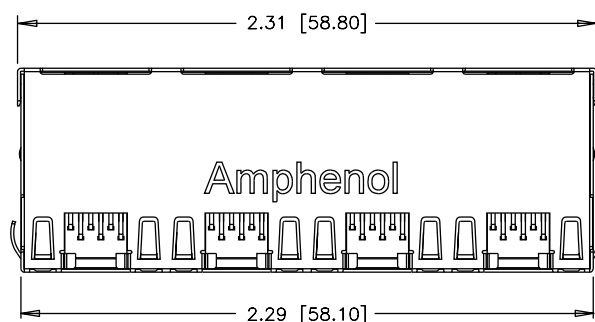
RJE48-488-1XX1



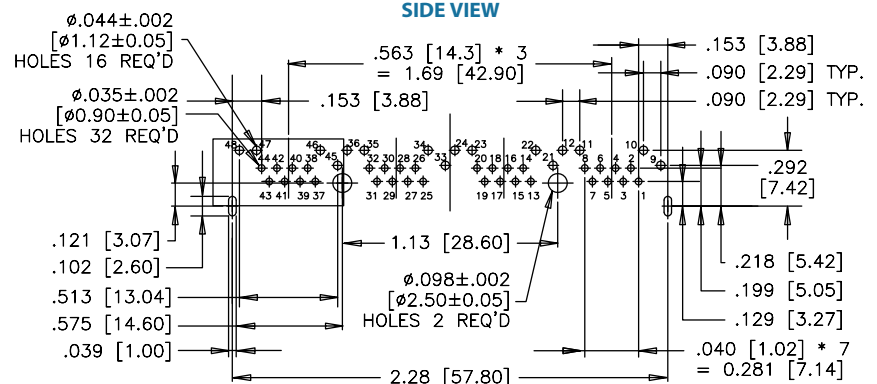
FRONT VIEW



SIDE VIEW



TOP VIEW



RECOMMENDED PCB LAYOUT

# RJE58

CAT 5e, RIGHT ANGLE, STANDARD PROFILE, WITH LEDs

## RIGHT ANGLED, STANDARD PROFILE, WITH LEDs

The RJE58 series of modular jacks meet CAT 5e performance per EIA-568-C.2. It supports Gigabit Ethernet Protocols. Shielding is available for increased EMI performance and LEDs for link activity and network speed verification.



## SPECIFICATIONS

### Material

<b>Insulator:</b>	High temp. thermoplastic; Complies with UL 94V-0; Black
<b>Contacts:</b>	Phosphor bronze hard temper with gold thickness options (6 $\mu$ ", 15 $\mu$ ", 30 $\mu$ ", 50 $\mu$ ") over 50 $\mu$ " min. nickel on contact mating area; 100 $\mu$ " min. matte tin plating on solder tails
<b>Shield:</b>	Stainless steel with tin dipped tails
<b>LED:</b>	Tin plating on LED tail

### Mechanical

<b>Insertion Force:</b>	5 lbs max.
<b>Pull Retention Force:</b>	20 lbs min.
<b>Durability:</b>	750 mating & unmating cycles
<b>Recommended Soldering Temperature:</b>	Wave soldering peaked at 260°C for 10 secs. max, for one cycle with an LED defect rate of no more than 100 ppm
<b>Operating Temperature:</b>	-55°C to + 85°C
<b>UL File Number:</b>	E135615

### Electrical

<b>Contact Resistance:</b>	20 m $\Omega$ max.
<b>Insulation resistance:</b>	500 M $\Omega$ min. at 500V DC for 2 mins max.
<b>Current Rating:</b>	1.25 Amps per contact
<b>Voltage Rating:</b>	125 Volts AC
<b>DWV:</b>	1000 VAC, 60 Hz. 1 min.
<b>LED Forward DC Current:</b>	20mA typical
<b>LED Forward Voltage:</b>	1.9 Volts max. at 2mA (for single colours) 2.6 Volts max. at 20mA (for bicolours)
<b>LED Reverse Voltage:</b>	5 Volts min.
<b>LED Light Intensity:</b>	0.4 to 1.5 mcd min. at 2mA (for single colours) 0.5 mcd min. at 2mA (for bicolours)
<b>LED Wave Length:</b>	Yellow: 587 $\pm$ 7 nm measured at 20mA Green: 565 $\pm$ 6 nm measured at 20mA Red: 625 $\pm$ 5 nm measured at 20mA

## ORDERING INFORMATION

RJE58 - 1 8 8 - X X X X - X

#### Number of Ports

1 - 1 Port

#### Number of Positions

8 - 8 Positions

#### Number of Contacts

8 - 8 Contacts

#### Shield Options

- 3 - Full shield with top tabs
- 5 - Full shield with top and side tabs
- 6 - Full shield without tabs

#### Packaging

- Blank - Tray
- T - Tape & Reel

#### Modifier

- 1 - Standard with boardlocks
- 2 - Without boardlocks

#### LED Options

Click to view page 3 for options

#### Contact Plating

- 1 - 6 $\mu$ " gold plating
- 2 - 15 $\mu$ " gold plating
- 3 - 30 $\mu$ " gold plating
- 4 - 50 $\mu$ " gold plating

#### Didn't find what you were looking for?

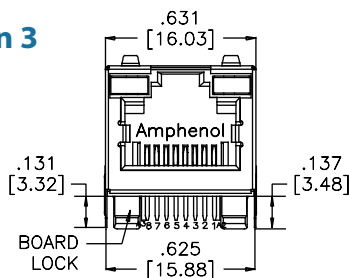
Please contact [sales@amphenolcanada.com](mailto:sales@amphenolcanada.com) and let us know what you need.

# RJE58

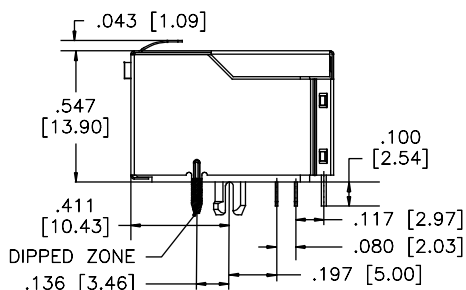
CAT 5e, RIGHT ANGLE, STANDARD PROFILE, WITH LEDs

## Single Port Shielded - Option 3

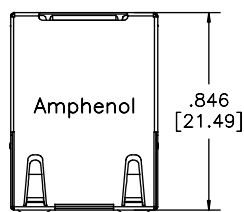
RJE58-188-3XX1



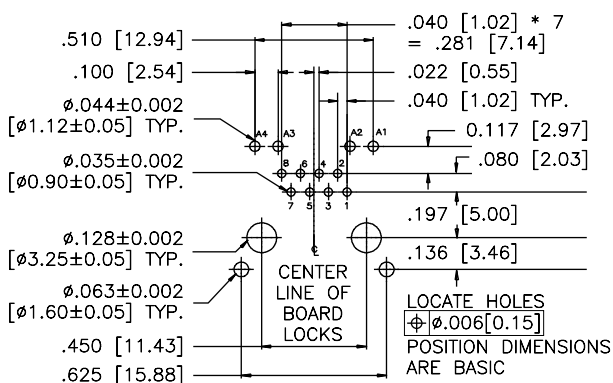
FRONT VIEW



SIDE VIEW



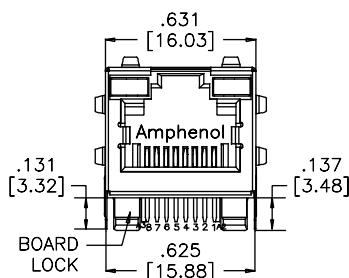
TOP VIEW



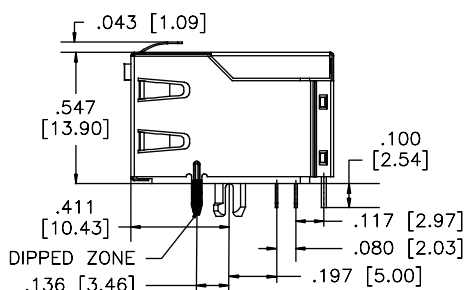
RECOMMENDED PCB LAYOUT

## Shielded - Option 5

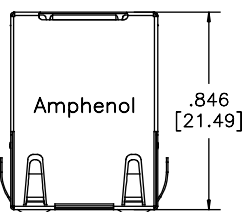
RJE58-188-5XX1



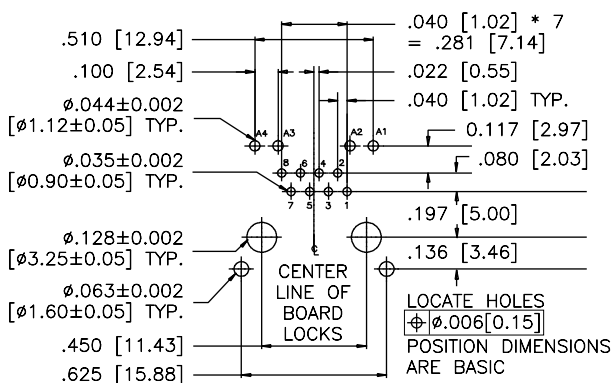
FRONT VIEW



SIDE VIEW



TOP VIEW



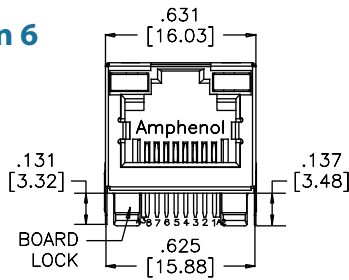
RECOMMENDED PCB LAYOUT

# RJE58

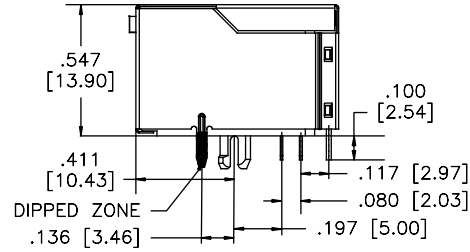
CAT 5e, RIGHT ANGLE, STANDARD PROFILE, WITH LEDs

## Single Port Shielded - Option 6

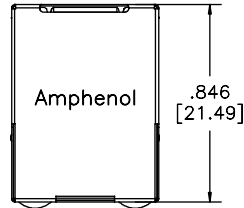
RJE58-188-6XX1



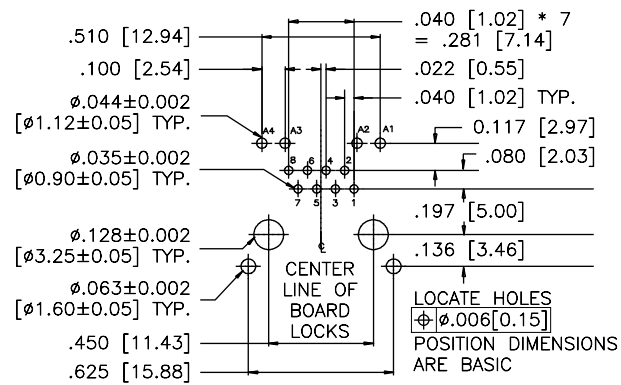
FRONT VIEW



SIDE VIEW



TOP VIEW



RECOMMENDED PCB LAYOUT

### Notes

# RJE72

CAT 5e, RIGHT ANGLE, RECESSED, LOW PROFILE WITH LEDs

## RIGHT ANGLE, RECESSED, LOW PROFILE WITH LEDs

The RJE72 series of modular jacks meet CAT 5e performance per EIA-568-C.2. It supports Gigabit Ethernet Protocols. Shielding available for increased EMI performance and LEDs for link activity and network speed verification.



## SPECIFICATIONS

### Material

<b>Insulator:</b>	High temp. thermoplastic; Complies with UL 94V-0; Black
<b>Contacts:</b>	Phosphor bronze hard temper with gold thickness options (6 $\mu$ "", 15 $\mu$ "", 30 $\mu$ "", 50 $\mu$ "") over 50 $\mu$ " min. nickel on contact mating area; 100 $\mu$ " min. matte tin plating on solder tails
<b>Shield:</b>	Stainless steel with tin dipped tails
<b>LED:</b>	Tin plating on LED tail

### Mechanical

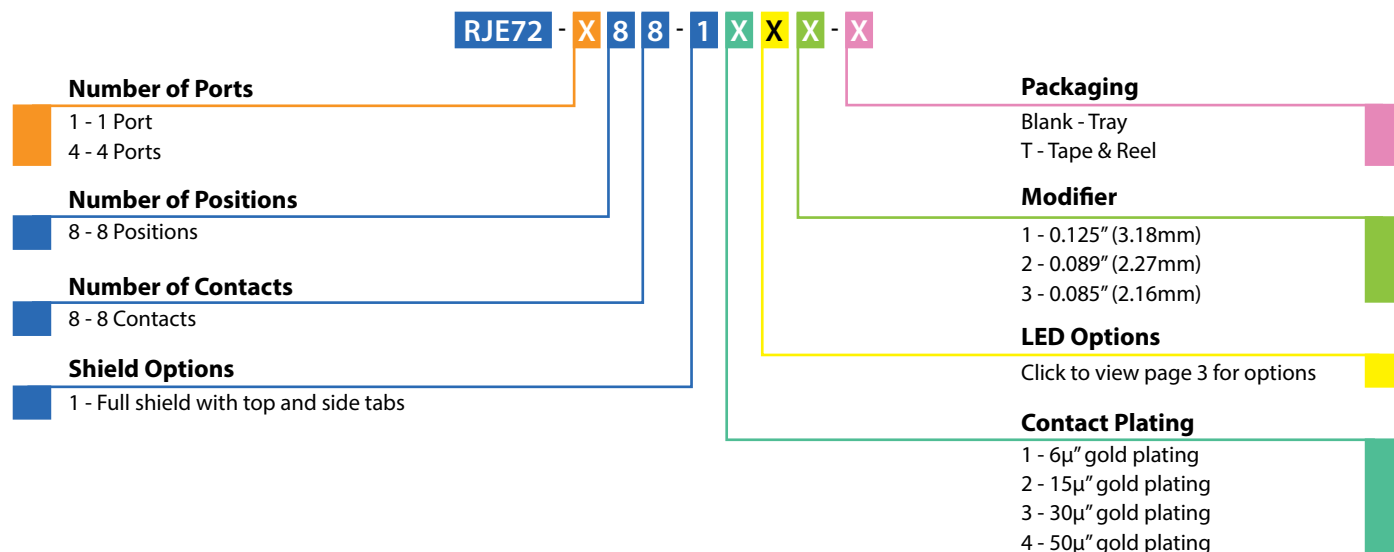
<b>Insertion Force:</b>	5 lbs max.
<b>Pull Retention Force:</b>	20 lbs min.
<b>Durability:</b>	750 mating & unmating cycles
<b>Recommended Soldering Temperature:</b>	Wave soldering peaked at 260°C for 5 secs max.
<b>Operating Temperature:</b>	-55°C to + 85°C
<b>UL file #:</b>	E135615

Note: IR Reflow compatible; Consult factory for details

### Electrical

<b>Contact Resistance:</b>	20 m $\Omega$ max.
<b>Insulation resistance:</b>	500 M $\Omega$ min. at 500V DC for 2 mins max.
<b>Current Rating:</b>	1.25 Amps per contact
<b>Voltage Rating:</b>	125 Volts AC
<b>DWV:</b>	1000 VAC, 60 Hz. 1 min.
<b>LED Forward DC Current:</b>	20mA typical
<b>LED Forward Voltage:</b>	1.9 Volts max. at 2mA (for single colours) 2.6 Volts max. at 20mA (for bicolours)
<b>LED Reverse Voltage:</b>	5 Volts min.
<b>LED Light Intensity:</b>	0.4 to 1.5 mcd min. at 2mA (for single colours) 0.5 mcd min. at 2mA (for bicolours)
<b>LED Wave Length:</b>	Yellow: 587 $\pm$ 7 nm measured at 20mA Green: 565 $\pm$ 6 nm measured at 20mA Red: 625 $\pm$ 5 nm measured at 20mA

## ORDERING INFORMATION



### Didn't find what you were looking for?

Please contact [sales@amphenolcanada.com](mailto:sales@amphenolcanada.com) and let us know what you need.

[Click to Return to Table of Contents](#)



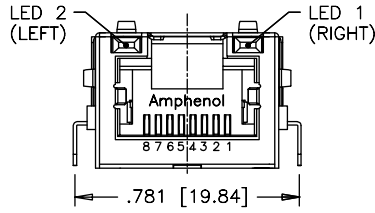
# RJE72

CAT 5e, RIGHT ANGLE, RECESSED, LOW PROFILE WITH LEDs

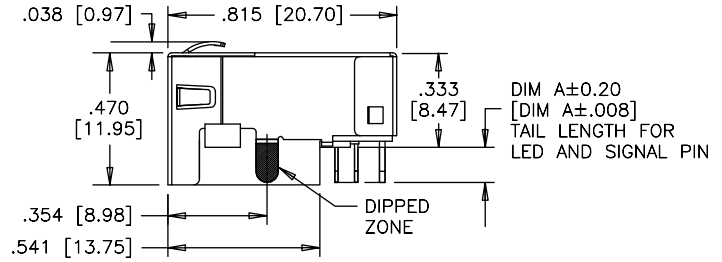
## Single Port

Shielded

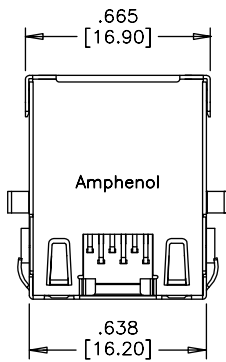
RJE72-188-14X1



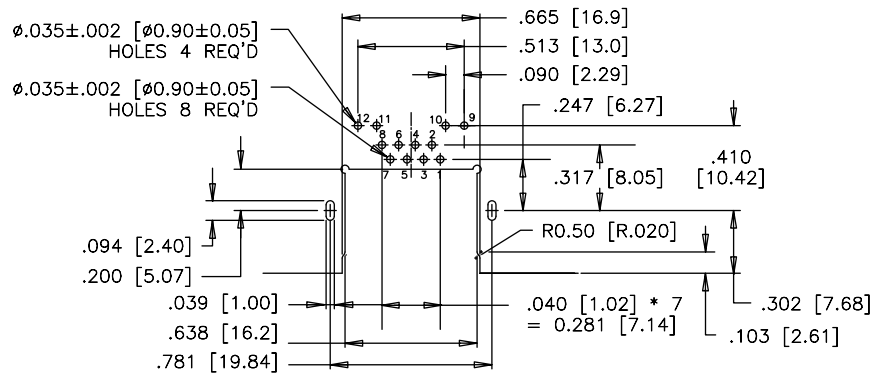
FRONT VIEW



SIDE VIEW



TOP VIEW

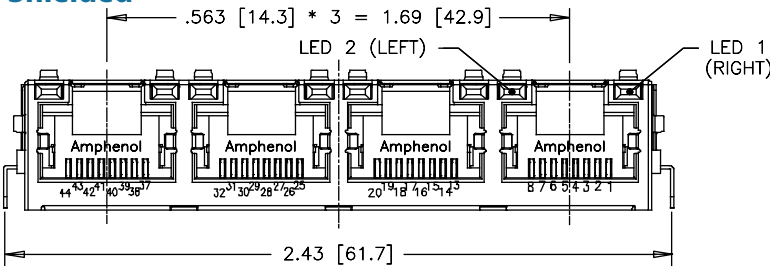


RECOMMENDED PCB LAYOUT

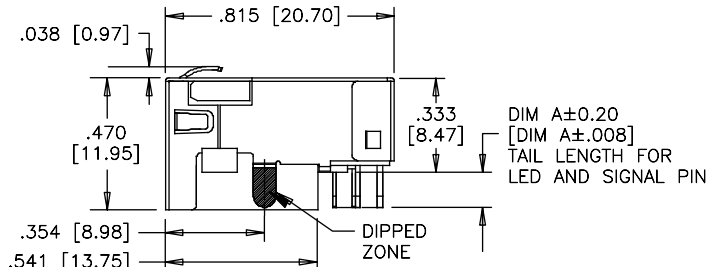
## Multi Port

Shielded

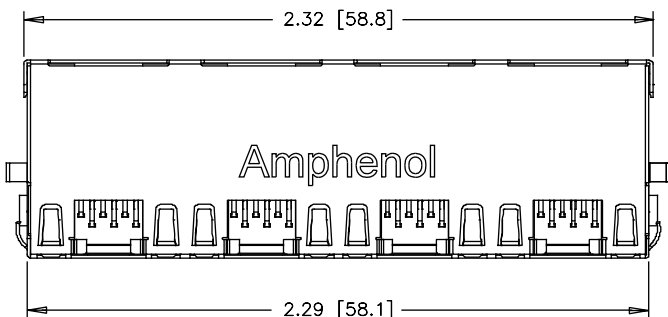
RJE72-488-14X1



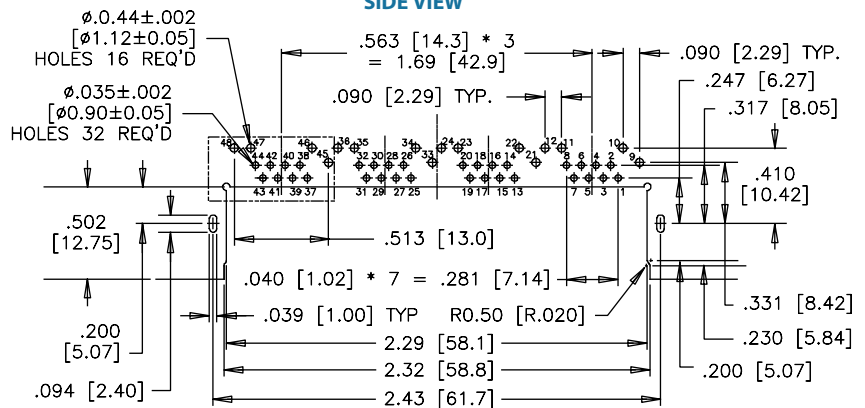
FRONT VIEW



SIDE VIEW



TOP VIEW



RECOMMENDED PCB LAYOUT

# RJSGE

CAT 5e, 2 OVER 2 PORTS, PRESS FIT, WITH LEDs

## 2 OVER 2 PORTS, PRESS FIT, WITH LEDs

The RJSGE series of modular jacks meet CAT 5e performance per EIA-568-C.2. It supports Gigabit Ethernet Protocols. Shielding available for increased EMI performance and LEDs for Link Activity and Network Speed verification.



## SPECIFICATIONS

### Material

<b>Insulator:</b>	Engineering thermoplastic; Complies with UL 94V-0; Black
<b>Contacts:</b>	Phosphor bronze hard temper with gold thickness options (6 $\mu$ ", 15 $\mu$ ", 30 $\mu$ ", 50 $\mu$ ") over 50 $\mu$ " min. nickel on contact mating area; 100 $\mu$ " min. matte tin plating on solder tails
<b>Shield:</b>	Stainless steel with press-fit tails
<b>LED:</b>	Press-fit with tin plating on LED tails

### Mechanical

<b>Insertion Force:</b>	5 lbs max.
<b>Pull Retention Force:</b>	20 lbs min.
<b>Durability:</b>	750 mating & unmating cycles
<b>Recommended Soldering Temperature:</b>	Wave soldering peaked at 260°C for 5 secs max.
<b>Operating Temperature:</b>	-55°C to + 85°C
<b>UL File Number:</b>	E135615

Note: IR Reflow compatible; Consult factory for details

### Electrical

<b>Contact Resistance:</b>	20 m $\Omega$ max.
<b>Insulation resistance:</b>	500 M $\Omega$ min. at 500V DC for 2 mins max.
<b>Current Rating:</b>	1.25 Amps per contact
<b>Voltage Rating:</b>	125 Volts AC
<b>DWV:</b>	1000 VAC, 60 Hz. 1 min.
<b>LED Forward DC Current:</b>	20mA typical
<b>LED Forward Voltage:</b>	1.9 Volts max. at 2mA (for single colours) 2.6 Volts max. at 20mA (for bicolours)
<b>LED Reverse Voltage:</b>	5 Volts max.
<b>LED Light Intensity:</b>	0.4 to 1.5 mcd min. at 2mA (for single colours) 0.5 mcd min. at 2mA (for bicolours)
<b>LED Wave Length:</b>	Yellow: 587 $\pm$ 7 nm measured at 20mA Green: 570 $\pm$ 5 nm measured at 20mA Red: 625 $\pm$ 5 nm measured at 20mA

## ORDERING INFORMATION

RJSGE - 4 8 8 - X X X 1 - X

### Number of Ports

4 - 2 over 2 Port

### Number of Positions

8 - 8 Positions

### Number of Contacts

8 - 8 Contacts

### Shield Options

6 - Full shield without EMI tabs  
7 - Full shield with EMI tabs

### Packaging

Blank - Tray  
T - Tape & Reel

### Modifier

1 - Standard, black housing,  
0.130" contact and LED tail length

### LED Options

Click to view page 3 for options

### Contact Plating

1 - 6 $\mu$ " gold plating  
2 - 15 $\mu$ " gold plating  
3 - 30 $\mu$ " gold plating  
4 - 50 $\mu$ " gold plating

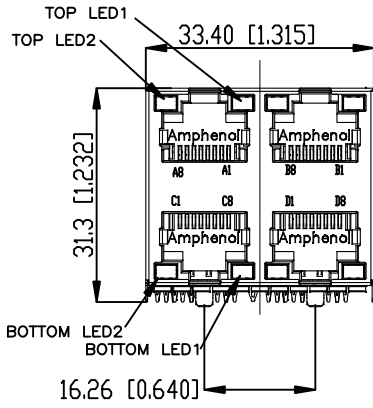
### Didn't find what you were looking for?

Please contact [sales@amphenolcanada.com](mailto:sales@amphenolcanada.com) and let us know what you need.

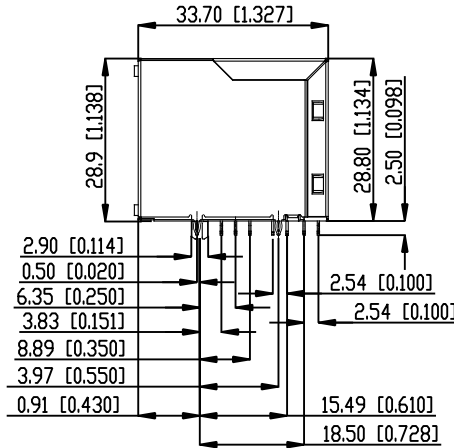
[Click to return to Table of Contents](#)

## Four Port Shielded - with no EMI Tabs

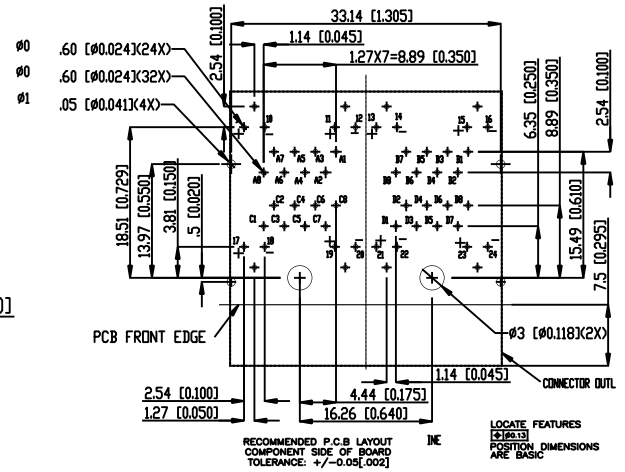
RJSGE-488-6XX1



FRONT VIEW



SIDE VIEW

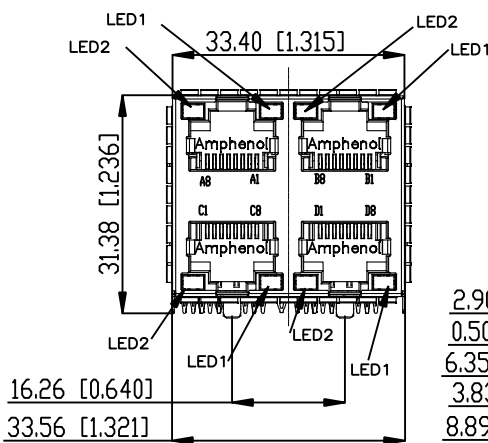


RECOMMENDED PCB LAYOUT

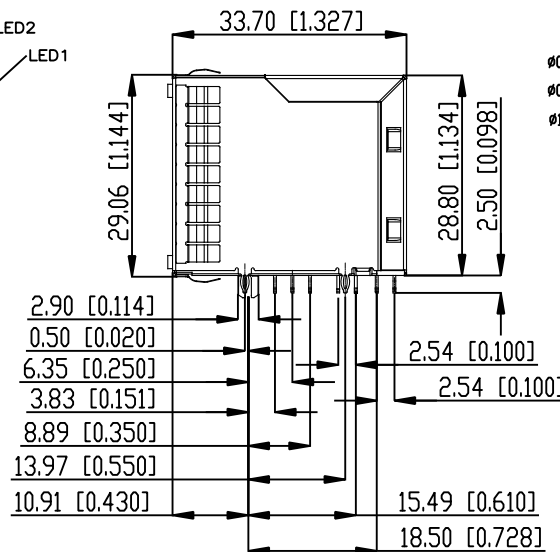
Measurements: mm [Inches]

## Shielded - with EMI Tabs

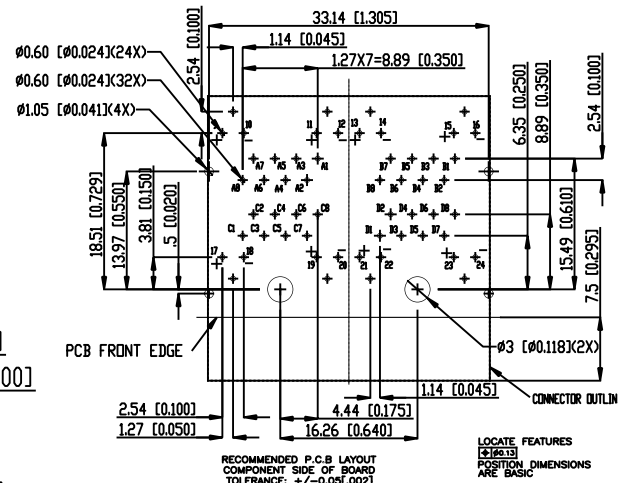
RJSGE-488-7XX1



FRONT VIEW



SIDE VIEW



RECOMMENDED PCB LAYOUT

Measurements: mm [Inches]

# RJE45

CAT 6, SINGLE PORT, LOW PROFILE, WITH LEDs

## SINGLE PORT, LOW PROFILE, WITH LEDs

The RJE45 series of modular jacks meet CAT 6 performance per EIA-568-C.2. It supports Gigabit Ethernet Protocols and 10 Gig links in applications up to 50m. Shielding available for increased EMI performance and LEDs for link activity and network speed verification.



## SPECIFICATIONS

### Material

<b>Insulator:</b>	High temp. thermoplastic; Complies with UL 94V-0; Black
<b>Contacts:</b>	Phosphor bronze hard temper with gold thickness options (6 $\mu$ ", 15 $\mu$ ", 30 $\mu$ ", 50 $\mu$ ") over 50 $\mu$ " min. nickel on contact mating area; 100 $\mu$ " min. matte tin plating on solder tails
<b>Shield:</b>	Stainless steel with tin dipped tails
<b>LED:</b>	Tin plating on LED tail

### Mechanical

<b>Insertion Force:</b>	5 lbs max.
<b>Pull Retention Force:</b>	20 lbs min.
<b>Durability:</b>	750 mating & unmating cycles
<b>Recommended Soldering Temperature:</b>	Wave soldering peaked at 260°C for 5 secs max. or lead free reflow soldering up to 260°C for 10 secs for one cycle with an LED defect rate of no more than 1000ppm
<b>Operating Temperature:</b>	-55°C to +85°C
<b>UL File Number:</b>	E135615

### Electrical

<b>Contact Resistance:</b>	20 m $\Omega$ max.
<b>Insulation resistance:</b>	500 M $\Omega$ min. at 500V DC for 2 mins max.
<b>Current Rating:</b>	1.25 Amps per contact
<b>Voltage Rating:</b>	125 Volts AC
<b>DWV:</b>	1000 VAC, 60 Hz. 1 min.
<b>LED Forward DC Current:</b>	20mA typical
<b>LED Forward Voltage:</b>	1.9 Volts max. at 2mA
<b>LED Reverse Voltage:</b>	5 Volts min.
<b>LED Light Intensity:</b>	0.4 to 1.5 mcd min. at 2mA
<b>LED Wave Length:</b>	Yellow: 587 $\pm$ 7 nm measured at 20mA Green: 565 $\pm$ 6 nm measured at 20mA Red: 625 $\pm$ 5 nm measured at 20mA

*Note: Multiple exposures not recommended*

## ORDERING INFORMATION

RJE45 - 1 8 8 - X X X X - X

### Number of Ports

1 - 1 Port

### Number of Positions

8 - 8 Positions

### Number of Contacts

8 - 8 Contacts

### Shield Options

- 0 - No shield
- 1 - Full shield with top and bottom EMI tabs
- 2 - Full shield without EMI tabs, back PCB tabs
- 4 - Full shield without EMI tabs, front PCB tabs

### Packaging

- Blank - Tray
- T - Tape & Reel

### Modifier

- 1 - Standard, black housing, 0.130" contact and LED tail length
- 2 - Black housing, with flange, 0.130" contact and LED tail length

### LED Options

Click to view page 3 for options

### Contact Plating

- 1 - 6 $\mu$ " gold plating
- 2 - 15 $\mu$ " gold plating
- 3 - 30 $\mu$ " gold plating
- 4 - 50 $\mu$ " gold plating

**Didn't find what you were looking for?**

Please contact [sales@amphenolcanada.com](mailto:sales@amphenolcanada.com) and let us know what you need.

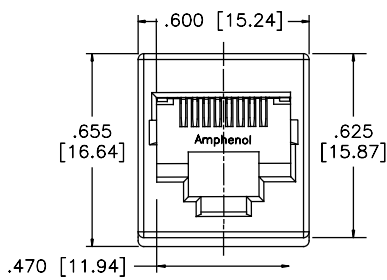
# RJE45

CAT 6, SINGLE PORT, LOW PROFILE, WITH LEDs

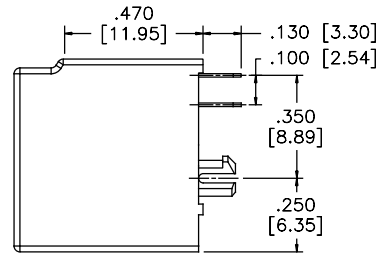
## Single Port

Non-Shielded

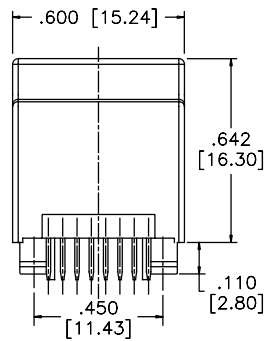
RJE45-188-0X01



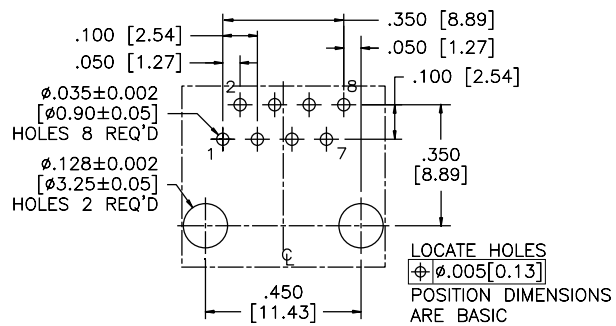
TOP VIEW



SIDE VIEW



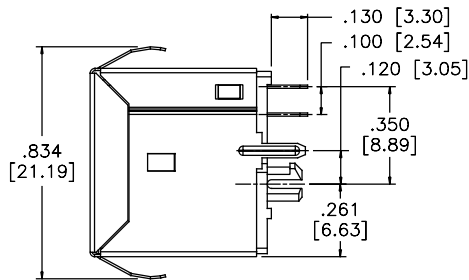
BACK VIEW



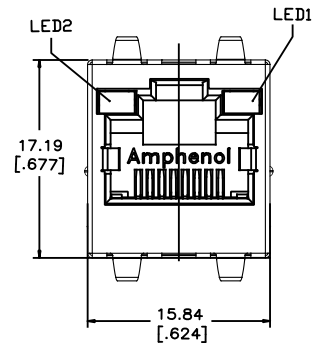
RECOMMENDED PCB LAYOUT

## Shielded

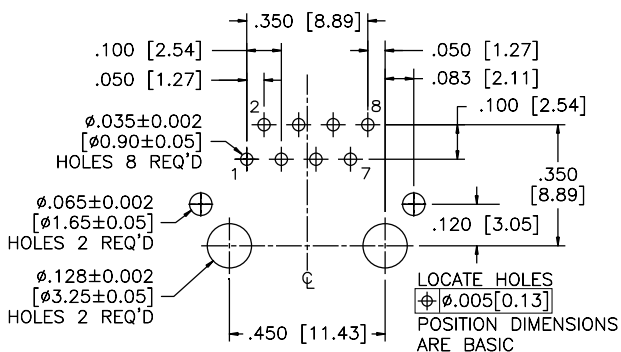
RJE45-188-1XX1



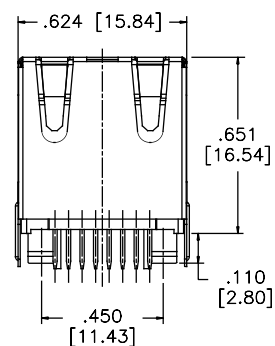
SIDE VIEW



TOP VIEW



RECOMMENDED PCB LAYOUT



BACK VIEW

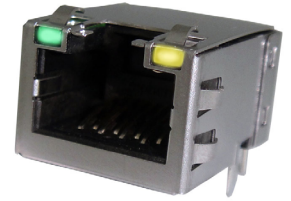
← Click to Return to Table of Contents

# RJE49

CAT 6, RIGHT ANGLE, LOW PROFILE, WITH LEDs

## RIGHT ANGLE, LOW PROFILE, WITH LEDs

The RJE49 series of modular jacks meet CAT 6 performance per EIA-568-C.2. It supports Gigabit Ethernet Protocols. Shielding is available for increased EMI performance and LEDs for link activity and network verification.



## SPECIFICATIONS

### Material

<b>Insulator:</b>	High temp. thermoplastic; Complies with UL 94V-0; Black
<b>Contacts:</b>	Phosphor bronze hard temper with gold thickness options (6µ", 15µ", 30µ", 50µ") over 50µ" min. nickel on contact mating area; 100µ" min. matte tin plating on solder tails
<b>Shield:</b>	Stainless steel with tin dipped tails
<b>LED:</b>	Tin plating on LED tail

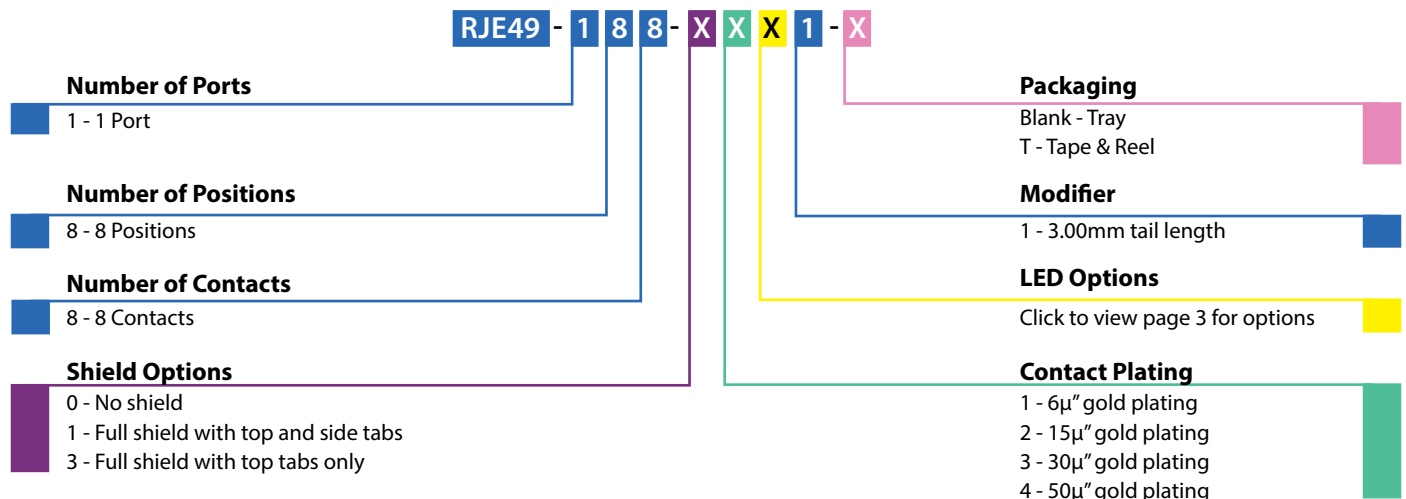
### Mechanical

<b>Insertion Force:</b>	5 lbs max.
<b>Pull Retention Force:</b>	20 lbs min.
<b>Durability:</b>	750 mating & unmating cycles
<b>Recommended Soldering Temperature:</b>	Wave soldering peaked at 260°C for 5 secs max.
<b>Operating Temperature:</b>	-55°C to +85°C
<b>UL File Number:</b>	E135615

### Electrical

<b>Contact Resistance:</b>	20 mΩ max.
<b>Insulation resistance:</b>	500 MΩ min. at 500V DC for 2 mins max.
<b>Current Rating:</b>	1.25 Amps per contact
<b>Voltage Rating:</b>	125 Volts AC
<b>DWV:</b>	1000 VAC, 60 Hz. 1 min.
<b>LED Forward DC Current:</b>	20mA typical
<b>LED Forward Voltage:</b>	1.9 Volts max. at 2mA (for single colours) 2.6 Volts max. at 20mA (for bicolours)
<b>LED Reverse Voltage:</b>	5 Volts min.
<b>LED Light Intensity:</b>	0.4 to 1.5 mcd min. at 2mA (for single colours) 0.5 mcd min. at 2mA (for bicolours)
<b>LED Wave Length:</b>	Yellow: 587 ± 7 nm measured at 20mA Green: 565 ± 6 nm measured at 20mA Red: 625 ± 5 nm measured at 20mA

## ORDERING INFORMATION



Didn't find what you were looking for?

Please contact [sales@amphenolcanada.com](mailto:sales@amphenolcanada.com) and let us know what you need.

← [Click to Return to Table of Contents](#)

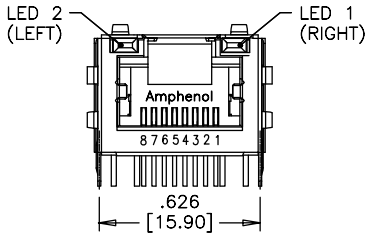
# RJE49

CAT 6, RIGHT ANGLE, LOW PROFILE, WITH LEDS

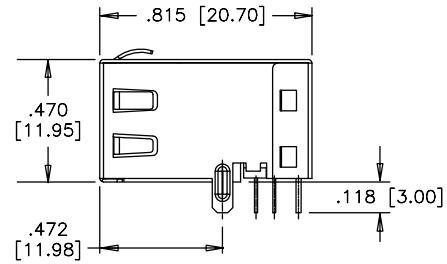
## Single Port

Shielded

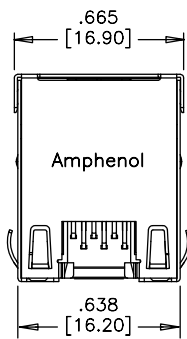
RJE49-188-1XX1



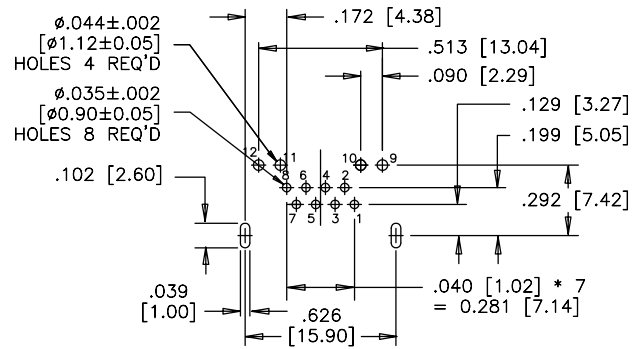
FRONT VIEW



SIDE VIEW



TOP VIEW



RECOMMENDED PCB LAYOUT

## Notes



# RJE59

CAT 6, RIGHT ANGLE, STANDARD PROFILE, WITH LEDs

## RIGHT ANGLE, STANDARD PROFILE, WITH LEDs

The RJE59 series of modular jacks meet CAT 6 performance per EIA-568-C.2. It supports Gigabit Ethernet Protocols. Shielding is available for increased EMI performance and LEDs for link activity and network speed verification.



## SPECIFICATIONS

### Material

<b>Insulator:</b>	High temp. thermoplastic; Complies with UL 94V-0; Black
<b>Contacts:</b>	Phosphor bronze hard temper with gold thickness options (6µ", 15µ", 30µ", 50µ") over 50µ" min. nickel on contact mating area; 100µ" min. matte tin plating on solder tails
<b>Shield:</b>	Stainless steel with tin dipped tails
<b>LED:</b>	Tin plating on LED tail

### Mechanical

<b>Insertion Force:</b>	5 lbs max.
<b>Pull Retention Force:</b>	20 lbs min.
<b>Durability:</b>	750 mating & unmating cycles
<b>Recommended Soldering Temperature:</b>	Wave soldering peaked at 260°C for 10 secs max. for one cycle with an LED defect rate of no more than 100ppm
<b>Operating Temperature:</b>	-55°C to + 85°C
<b>UL File Number:</b>	E135615

Note: multiple exposures not recommended; IR Reflow compatible version also available; Consult factory for details

### Electrical

<b>Contact Resistance:</b>	20 mΩ max.
<b>Insulation resistance:</b>	500 MΩ min. at 500V DC for 2 mins max.
<b>Current Rating:</b>	1.25 Amps per contact
<b>Voltage Rating:</b>	125 Volts AC
<b>DWV:</b>	1000 VAC, 60 Hz. 1 min.
<b>LED Forward DC Current:</b>	20mA typical
<b>LED Forward Voltage:</b>	1.9 Volts max. at 2mA (for single colours) 2.6 Volts max. at 20mA (for bicolours)
<b>LED Reverse Voltage:</b>	5 Volts min.
<b>LED Light Intensity:</b>	0.4 to 1.5 mcd min. at 2mA (for single colours) 0.5 mcd min. at 2mA (for bicolours)
<b>LED Wave Length:</b>	Yellow: 587 ± 7 nm measured at 20mA Green: 565 ± 6 nm measured at 20mA Red: 625 ± 5 nm measured at 20mA

## ORDERING INFORMATION

RJE59 - 1 8 8 - X X X X - X

### Number of Ports

1 - 1 Port

### Number of Positions

8 - 8 Positions

### Number of Contacts

8 - 8 Contacts

### Shield Options

- 3 - Full shield with top tabs
- 5 - Full shield with top and side tabs
- 6 - Full shield without tabs

### Packaging

- Blank - Tray
- T - Tape & Reel

### Modifier

- 1 - Standard with boardlocks
- 2 - Without boardlocks

### LED Options

Click to view page 3 for options

### Contact Plating

- 1 - 6µ" gold plating
- 2 - 15µ" gold plating
- 3 - 30µ" gold plating
- 4 - 50µ" gold plating

### Didn't find what you were looking for?

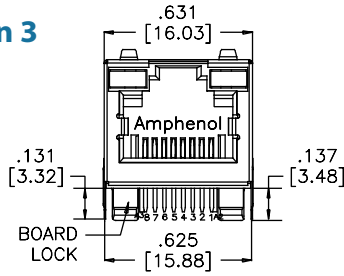
Please contact [sales@amphenolcanada.com](mailto:sales@amphenolcanada.com) and let us know what you need.

# RJE59

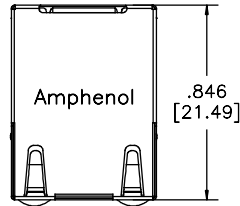
CAT 6, RIGHT ANGLE, STANDARD PROFILE, WITH LEDs

## Single Port Shielded - Option 3

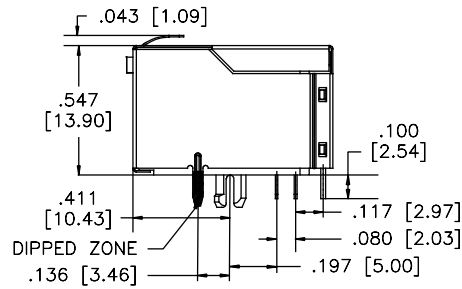
RJE59-188-3XX1



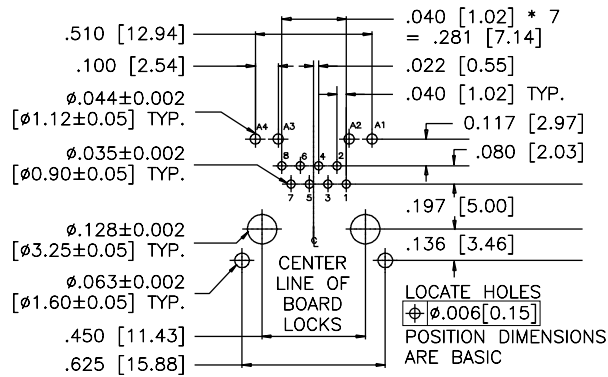
FRONT VIEW



TOP VIEW



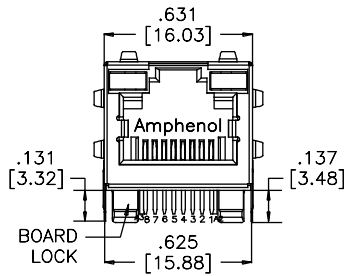
SIDE VIEW



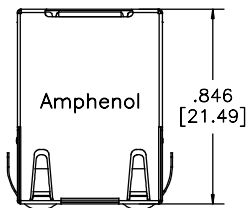
RECOMMENDED PCB LAYOUT

## Shielded - Option 5

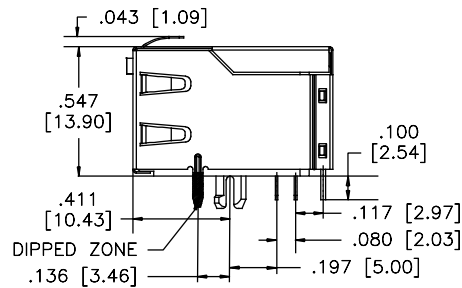
RJE59-188-5XX1



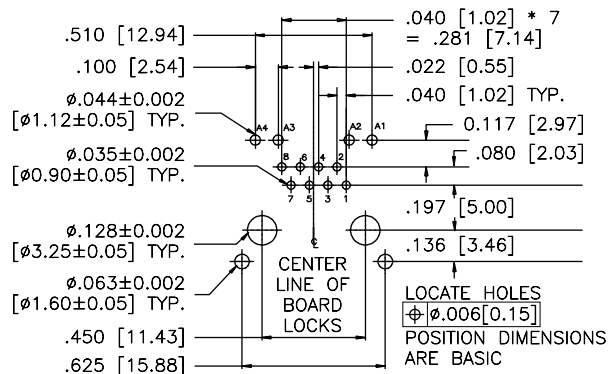
FRONT VIEW



TOP VIEW



SIDE VIEW



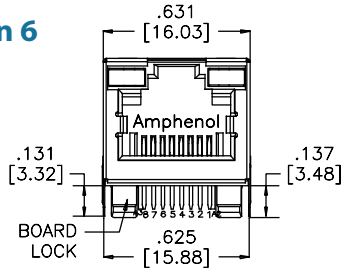
RECOMMENDED PCB LAYOUT

# RJE59

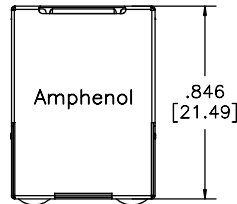
CAT 6, RIGHT ANGLE, STANDARD PROFILE, WITH LEDS

## Single Port Shielded - Option 6

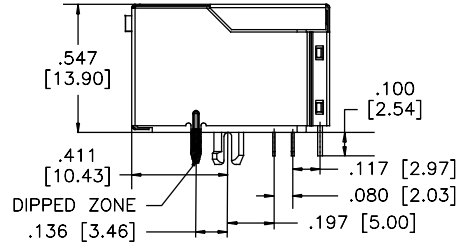
RJE59-188-6XX1



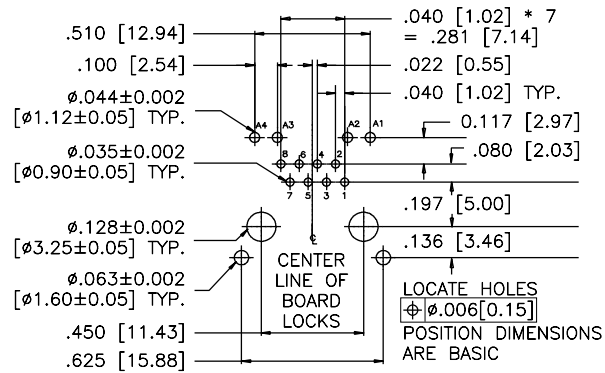
FRONT VIEW



TOP VIEW



SIDE VIEW



RECOMMENDED PCB LAYOUT

### Notes

# RJE71

CAT 6, RIGHT ANGLE, RECESSED, LOW PROFILE, WITH LEDS

## RIGHT ANGLED, RECESSED, LOW PROFILE, WITH LEDS

The RJE71 series of modular jacks meet CAT 6 performance per EIA-568-C.2. It supports Gigabit Ethernet Protocols. Shielding available for increased EMI performance and LEDs for link activity and network speed verification.



## SPECIFICATIONS

### Material

<b>Insulator:</b>	High temp. thermoplastic; Complies with UL 94V-0; Black
<b>Contacts:</b>	Phosphor bronze hard temper with gold thickness options (6µ", 15µ", 30µ", 50µ") over 50µ" min. nickel on contact mating area; 100µ" min. matte tin plating on solder tails
<b>Shield:</b>	Stainless steel with tin dipped tails
<b>LED:</b>	Tin plating on LED tail

### Mechanical

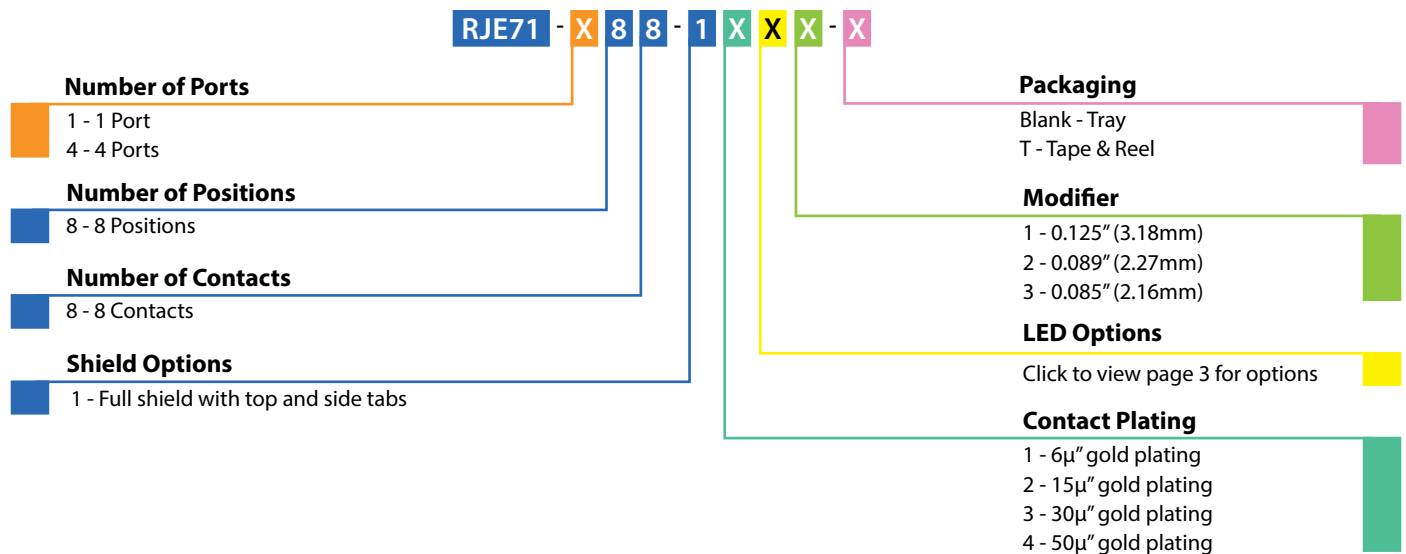
<b>Insertion Force:</b>	5 lbs max.
<b>Pull Retention Force:</b>	20 lbs min.
<b>Durability:</b>	750 mating & unmating cycles
<b>Recommended Soldering Temperature:</b>	Wave soldering peaked at 260°C for 5 secs max.
<b>Operating Temperature:</b>	-55°C to + 85°C
<b>UL File:</b>	E135615

Note: IR Reflow compatible version also available; Consult factory for details

### Electrical

<b>Contact Resistance:</b>	20 mΩ max.
<b>Insulation resistance:</b>	500 MΩ min. at 500V DC for 2 mins max.
<b>Current Rating:</b>	1.25 Amps per contact
<b>Voltage Rating:</b>	125 Volts AC
<b>DWV:</b>	1000 VAC, 60 Hz. 1 min.
<b>LED Forward DC Current:</b>	20mA typical
<b>LED Forward Voltage:</b>	1.9 Volts max. at 2mA (for single colours) 2.6 Volts max. at 20mA (for bicolours)
<b>LED Reverse Voltage:</b>	5 Volts min.
<b>LED Light Intensity:</b>	0.4 to 1.5 mcd min. at 2mA (for single colours) 0.5 mcd min. at 2mA (for bicolours)
<b>LED Wave Length:</b>	Yellow: 587 ± 7 nm measured at 20mA Green: 565 ± 6 nm measured at 20mA Red: 625 ± 5 nm measured at 20mA

## ORDERING INFORMATION



Didn't find what you were looking for?

Please contact [sales@amphenolcanada.com](mailto:sales@amphenolcanada.com) and let us know what you need.

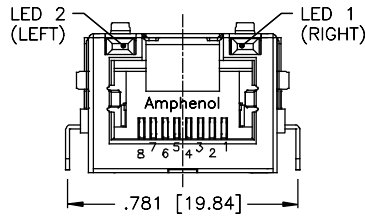
← Click to Return to Table of Contents

# RJE71

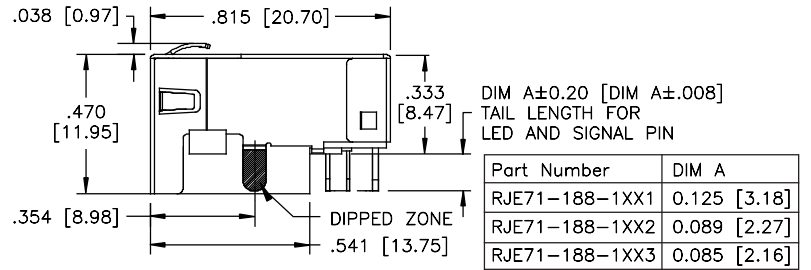
CAT 6, RIGHT ANGLE, RECESSED, LOW PROFILE, WITH LEDs

## Single Port Shielded

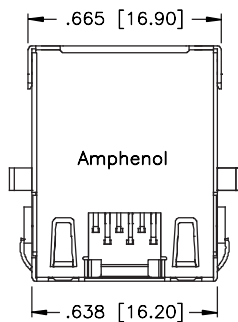
RJE71-188-1XXX



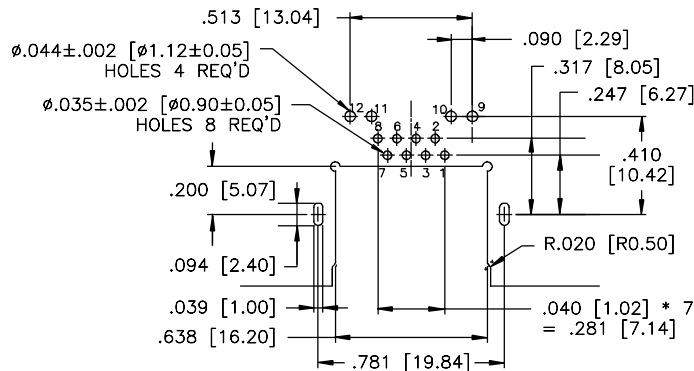
FRONT VIEW



SIDE VIEW



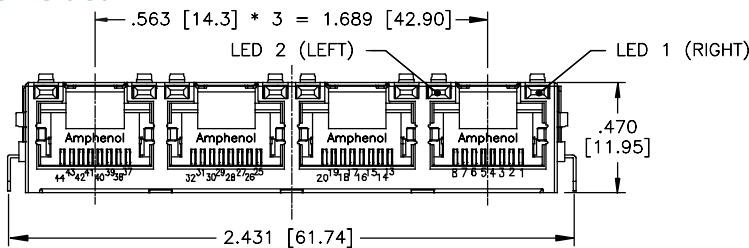
TOP VIEW



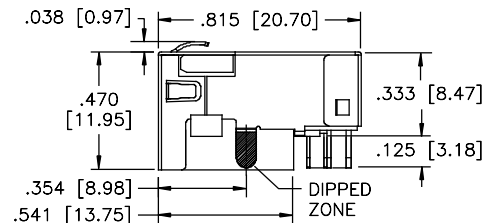
RECOMMENDED PCB LAYOUT

## Multi Port Shielded

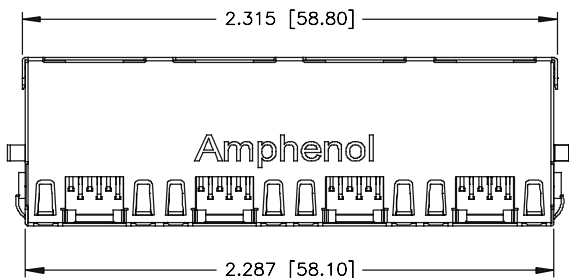
RJE71-488-1XXX



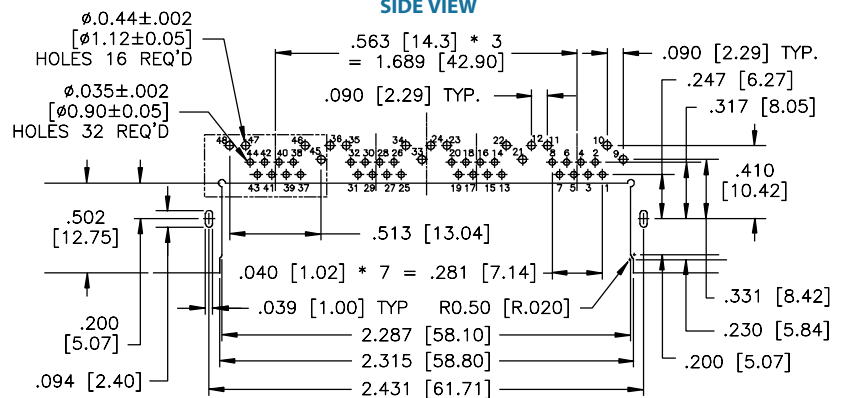
FRONT VIEW



SIDE VIEW



TOP VIEW



RECOMMENDED PCB LAYOUT

Didn't find what you were looking for?

Please contact [sales@amphenolcanada.com](mailto:sales@amphenolcanada.com) and let us know what you need.

## RJE1R

CAT 5e/CAT 6, 1 OVER 1 PORT WITH LEDs

## CAT 5e, CAT 6, 1 OVER 1 PORT WITH LEDs

The RJE1R series is a unique 2x1 stacked connector. Two 8P8C ports with the option to choose from three different performances levels for each individual port: Cat5 equivalent, Cat5e, or Cat6. Each port will meet their designated performance as per EIA-568-C.2. Shielding available for increased EMI performance and LEDs for link activity and network speed verification.



## SPECIFICATIONS

## Material

<b>Insulator:</b>	High temp. thermoplastic; Complies with UL 94V-0; Black
<b>Contacts:</b>	Phosphor bronze hard temper with gold thickness options (6 $\mu$ "", 15 $\mu$ "", 30 $\mu$ "", 50 $\mu$ "") over 50 $\mu$ " min. nickel on contact mating area; 100 $\mu$ " min. matte tin plating on solder tails
<b>Shield:</b>	Stainless steel with tin dipped tails
<b>LED:</b>	Tin plating on LED tails

## Mechanical

<b>Insertion Force:</b>	5 lbs max.
<b>Pull Retention Force:</b>	20 lbs min.
<b>Durability:</b>	750 mating & unmating cycles
<b>Recommended Soldering Temperature:</b>	IR reflow peaked at 260°C for 5 to 8 secs.
<b>Operating Temperature:</b>	-55°C to + 85°C

## Electrical

<b>Contact Resistance:</b>	20 m $\Omega$ max.
<b>Insulation resistance:</b>	500 M $\Omega$ min. at 500V DC for 2 mins max.
<b>Current Rating:</b>	1.25 Amps per contact
<b>Voltage Rating:</b>	125 Volts AC
<b>DWV:</b>	1000 VAC, 60 Hz. 1 min.
<b>LED Forward DC Current:</b>	20mA typical
<b>LED Forward Voltage:</b>	1.9 Volts max. at 2mA (for single colours) 2.6 Volts max. at 20mA (for bicolours)
<b>LED Reverse Voltage:</b>	5 Volts min.
<b>LED Light Intensity:</b>	0.4 to 1.5 mcd min. at 2mA (for single colours) 0.5 mcd min. at 2mA (for bicolours)
<b>LED Wave Length:</b>	Yellow: 587 $\pm$ 7 nm measured at 20mA Green: 565 $\pm$ 6 nm measured at 20mA Red: 625 $\pm$ 5 nm measured at 20mA
<b>UL File Number:</b>	E135615

Note: IR Reflow is not recommended for connectors with LEDs

## ORDERING INFORMATION

RJE1R - 2 8 8 - X X X X - X X

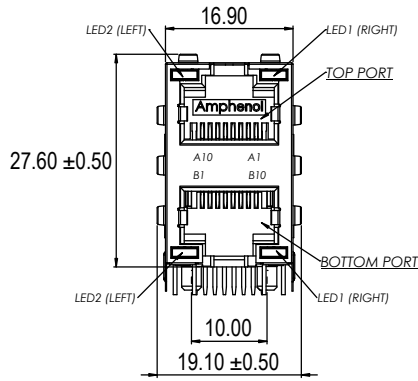
<b>Number of Ports</b>	2 - 1 over 1 ports
<b>Number of Contacts (Top)</b>	8 - 8 Contacts
<b>Number of Contacts (Bottom)</b>	8 - 8 Contacts
<b>Top Port Category Options</b>	1 - CAT 5 2 - CAT 5e 3 - CAT 6
<b>Bottom Port Category Options</b>	1 - CAT 5 2 - CAT 5e 3 - CAT 6
<b>Contact Tail Length</b>	1 - 3.60mm 2 - 3.20mm 3 - 2.80mm
<b>LED Options</b>	Click to view page 3 for options
<b>Contact Plating</b>	1 - 6 $\mu$ " gold plating 2 - 15 $\mu$ " gold plating 3 - 30 $\mu$ " gold plating 4 - 50 $\mu$ " gold plating
<b>Shield Options</b>	0 - No Shield 3 - Full shield with top tabs only 5 - Full shield with top and side tabs 6 - Full shield with no tabs

# RJE1R

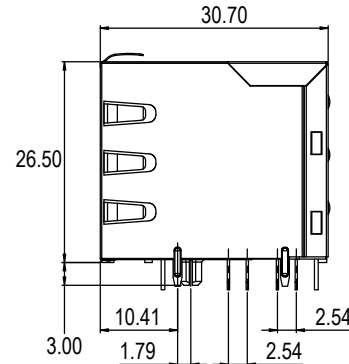
CAT 5e/CAT 6, 1 OVER 1 PORT WITH LEDs

## One Over One Port Shielded

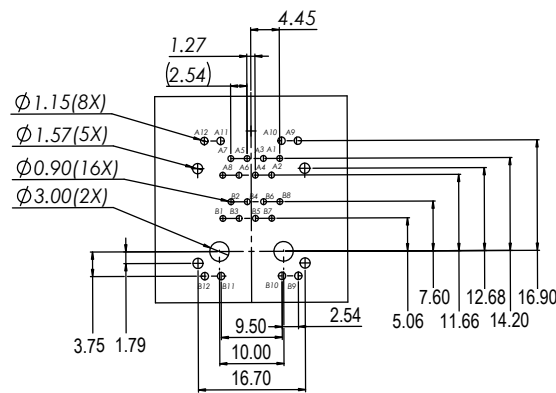
RJE1R-288-XX3X-XX



FRONT VIEW



SIDE VIEW



RECOMMENDED PCB LAYOUT

Measurements: mm

### Notes

Didn't find what you were looking for?

Please contact [sales@amphenolcanada.com](mailto:sales@amphenolcanada.com) and let us know what you need.



## RJE4A

CAT 6A, SINGLE PORT, LOW PROFILE, WITH LEDs

## VERTICAL, LOW PROFILE, WITH LEDs

The RJE4A series of modular jacks meet CAT 6A performance per EIA-568-C.2. It supports Gigabit Ethernet Protocols. Shielding available for increased EMI performance and LEDs for link activity and network speed verification.



## SPECIFICATIONS

## Material

<b>Insulator:</b>	High temp. thermoplastic; Complies with UL 94V-0; Black
<b>Contacts:</b>	Phosphor bronze hard temper with gold thickness options (6µ", 15µ", 30µ", 50µ") over 50µ" min. nickel on contact mating area; 100µ" min. matte tin plating on solder tails
<b>Shield:</b>	Stainless steel with tin dipped tails
<b>LED:</b>	Tin plating on LED tail

## Mechanical

<b>Insertion Force:</b>	5 lbs max.
<b>Pull Retention Force:</b>	20 lbs min.
<b>Durability:</b>	750 mating & unmating cycles
<b>Recommended Soldering Temperature:</b>	Wave soldering peaked at 260°C for 5 secs max. or lead free reflow soldering up to 260°C for 10 secs for one cycle with an LED defect rate of no more than 1000ppm
<b>Operating Temperature:</b>	-55°C to + 85°C
<b>UL File Number:</b>	E135615

Note: Multiple exposures not recommended

## Electrical

<b>Contact Resistance:</b>	20 mΩ max.
<b>Insulation resistance:</b>	500 MΩ min. at 500V DC for 2 mins max.
<b>Current Rating:</b>	1.25 Amps per contact
<b>Voltage Rating:</b>	125 Volts AC
<b>DWV:</b>	1000 VAC, 60 Hz. 1 min.
<b>LED Forward DC Current:</b>	20mA typical
<b>LED Forward Voltage:</b>	1.9 Volts max. at 2mA (for single colours) 2.6 Volts max. at 20mA (for bicolours)
<b>LED Reverse Voltage:</b>	5 Volts min.
<b>LED Light Intensity:</b>	0.4 to 1.5 mcd min. at 2mA (for single colours) 0.5 mcd min. at 2mA (for bicolours)
<b>LED Wave Length:</b>	Yellow: 587 ± 7 nm measured at 20mA Green: 565 ± 6 nm measured at 20mA Red: 625 ± 5 nm measured at 20mA

## ORDERING INFORMATION

RJE4A - 1 8 8 - X X X 1 - X

## Number of Ports

1 - 1 Port

## Number of Positions

8 - 8 Positions

## Number of Contacts

8 - 8 Contacts

## Shield Options

- 0 - No shield
- 1 - Full shield with top and bottom EMI tabs
- 2 - Full shield without EMI tabs, back PCB tabs
- 4 - Full shield without EMI tabs, front PCB tabs

## Packaging

- Blank - Tray
- T - Tape & Reel

## Modifier

- 1 - Standard, black housing, 0.130" contact and LED tail length

## LED Options

Click to view page 3 for options

## Contact Plating

- 1 - 6µ" gold plating
- 2 - 15µ" gold plating
- 3 - 30µ" gold plating
- 4 - 50µ" gold plating

← Click to Return to Table of Contents

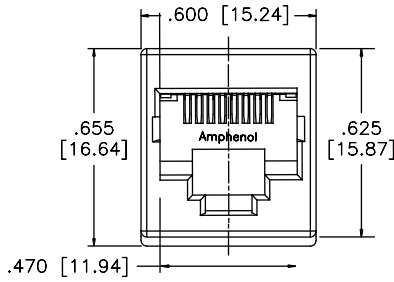
# RJE4A

CAT 6A, SINGLE PORT, LOW PROFILE, WITH LEDs

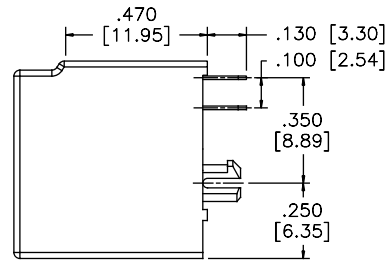
## Single Port

### Non-Shielded

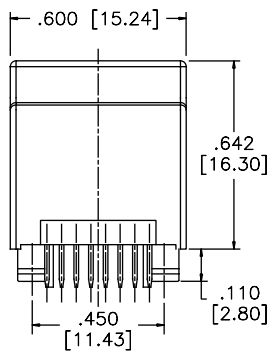
RJE4A-188-0X01



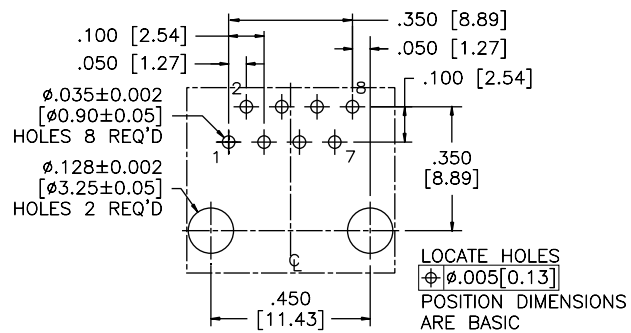
TOP VIEW



SIDE VIEW



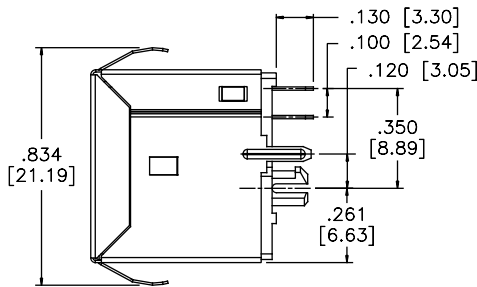
BACK VIEW



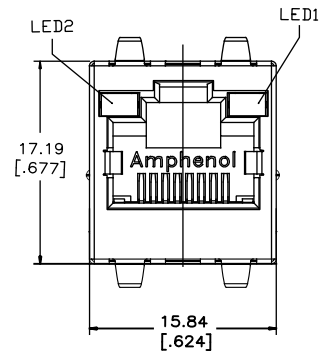
RECOMMENDED PCB LAYOUT

### Shielded

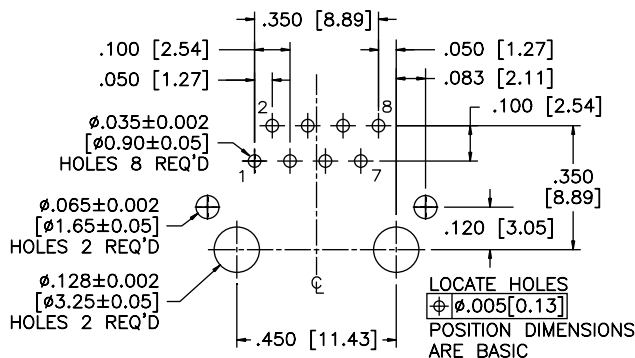
RJE4A-188-XXX1



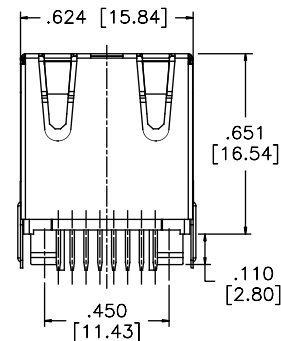
SIDE VIEW



TOP VIEW



RECOMMENDED PCB LAYOUT



BACK VIEW

# RJE7B

CAT 6A, RIGHT ANGLE, STANDARD PROFILE, WITH LEDs

## RIGHT ANGLED, STANDARD PROFILE, WITH LEDs

The RJE7B series of modular jacks meet CAT 6A performance per EIA-568-C.2. It supports Gigabit Ethernet Protocols and 10G Ethernet over lengths of up to 100m. Shielding available for increased EMI performance and LEDs for link activity and network speed verification.



## SPECIFICATIONS

### Material

<b>Insulator:</b>	High temp. thermoplastic; Complies with UL 94V-0; Black colour
<b>Contacts:</b>	Phosphor bronze hard temper with gold thickness options (6µ", 15µ", 30µ", 50µ") over 50µ" min. nickel on contact mating area; 100µ" min. matte tin plating on solder tails
<b>Shield:</b>	Stainless steel with tin dipped tails
<b>LED:</b>	Tin plating on LED tails

### Mechanical

<b>Insertion Force:</b>	5 lbs max.
<b>Pull Retention Force:</b>	20 lbs min.
<b>Durability:</b>	750 mating & unmating cycles
<b>Recommended Soldering Temperature:</b>	IR reflow peaked at 260°C for 5 to 8 secs.
<b>Operating Temperature:</b>	-55°C to + 85°C
<b>UL File Number:</b>	E135615

Note: IR Reflow compatible version also available; Consult factory for details

### Electrical

<b>Contact Resistance:</b>	20 mΩ max.
<b>Insulation resistance:</b>	500 MΩ min. at 500V DC for 2 mins max.
<b>Current Rating:</b>	1.25 Amps per contact
<b>Voltage Rating:</b>	125 Volts AC
<b>DWV:</b>	1000 VAC, 60 Hz. 1 min.
<b>LED Forward DC Current:</b>	20mA typical
<b>LED Forward Voltage:</b>	1.9 Volts max. at 2mA (for single colours) 2.6 Volts max. at 20mA (for bicolours)
<b>LED Reverse Voltage:</b>	5 Volts min.
<b>LED Light Intensity:</b>	0.4 to 1.5 mcd min. at 2mA (for single colours) 0.5 mcd min. at 2mA (for bicolours)
<b>LED Wave Length:</b>	Yellow: 587 ± 7 nm measured at 20mA Green: 565 ± 6 nm measured at 20mA Red: 625 ± 5 nm measured at 20mA

## ORDERING INFORMATION

RJE7B - 1 8 8 - 1 X X X - X

### Number of Ports

1 - 1 Port

### Number of Positions

8 - 8 Positions

### Number of Contacts

8 - 8 Contacts

### Shield Options

1 - Full shield with top and bottom tabs

### Packaging

Blank - Tray  
T - Tape & Reel

### Modifier

1 - 0.125" (3.18mm)  
2 - 0.089" (2.27mm)  
3 - 0.085" (2.16mm)

### LED Options

Click to view page 3 for options

### Contact Plating

1 - 6µ" gold plating  
2 - 15µ" gold plating  
3 - 30µ" gold plating  
4 - 50µ" gold plating

### Didn't find what you were looking for?

Please contact [sales@amphenolcanada.com](mailto:sales@amphenolcanada.com) and let us know what you need.

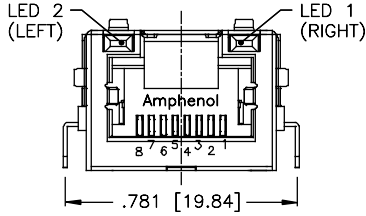
# RJE7B

CAT 6A, RIGHT ANGLE, STANDARD PROFILE, WITH LEDS

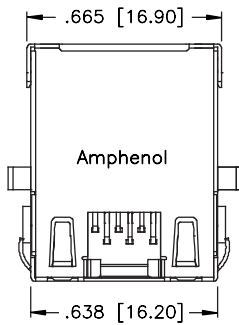
## Single Port

Shielded

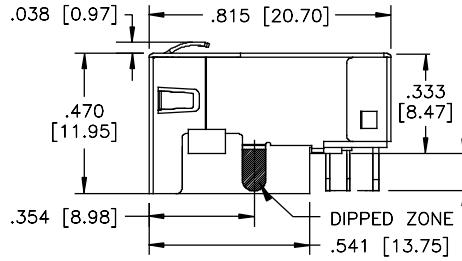
RJE7B-188-1XXX



FRONT VIEW



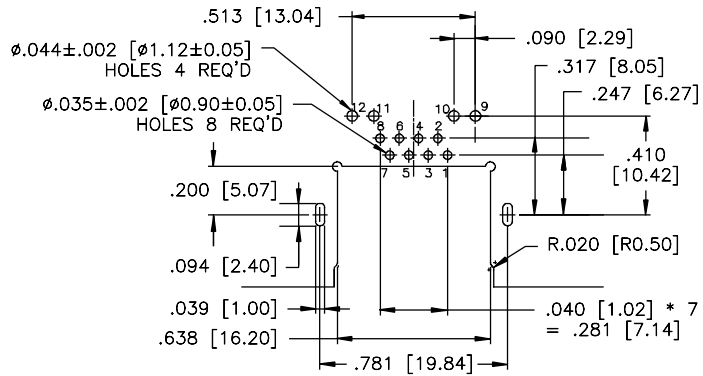
TOP VIEW



SIDE VIEW

DIM A±0.20 [DIM A±.008]  
TAIL LENGTH FOR  
LED AND SIGNAL PIN

Part Number	DIM A
RJE71-188-1XX1	0.125 [3.18]
RJE71-188-1XX2	0.089 [2.27]
RJE71-188-1XX3	0.085 [2.16]



RECOMMENDED PCB LAYOUT

## Notes

← Click to Return to Table of Contents

# RJE60

CAT 6A, RIGHT ANGLE, STANDARD PROFILE, WITH LEDs

## RIGHT ANGLED, STANDARD PROFILE, WITH LEDs

The RJE60 series of modular jacks meet CAT 6A performance per EIA-568-C.2. It supports Gigabit Ethernet Protocols. Shielding is available for increased EMI performance and LEDs for link activity and network speed verification.



## SPECIFICATIONS

### Material

<b>Insulator:</b>	High temp. thermoplastic; Complies with UL 94V-0; Black
<b>Contacts:</b>	Phosphor bronze hard temper with gold thickness options (6 $\mu$ ", 15 $\mu$ ", 30 $\mu$ ", 50 $\mu$ ") over 50 $\mu$ " min. nickel on contact mating area; 100 $\mu$ " min. matte tin plating on solder tails
<b>Shield:</b>	Stainless steel with tin dipped tails
<b>LED:</b>	Tin plating on LED tail

### Mechanical

<b>Insertion Force:</b>	5 lbs max.
<b>Pull Retention Force:</b>	20 lbs min.
<b>Durability:</b>	750 mating & unmating cycles
<b>Recommended Soldering Temperature:</b>	Wave soldering peaked at 260°C for 10 secs max. for one cycle with an LED defect rate of no more than 100ppm
<b>Operating Temperature:</b>	-55°C to + 85°C
<b>UL File Number:</b>	E135615

Note: Multiple exposure not recommended; IR Reflow compatible version also available; Consult factory for details

### Electrical

<b>Contact Resistance:</b>	20 m $\Omega$ max.
<b>Insulation resistance:</b>	500 M $\Omega$ min. at 500V DC for 2 mins max.
<b>Current Rating:</b>	1.25 Amps per contact
<b>Voltage Rating:</b>	125 Volts AC
<b>DWV:</b>	1000 VAC, 60 Hz. 1 min.
<b>LED Forward DC Current:</b>	20mA typical
<b>LED Forward Voltage:</b>	1.9 Volts max. at 2mA (for single colours) 2.6 Volts max. at 20mA (for bicolours)
<b>LED Reverse Voltage:</b>	5 Volts min.
<b>LED Light Intensity:</b>	0.4 to 1.5 mcd min. at 2mA (for single colours) 0.5 mcd min. at 2mA (for bicolours)
<b>LED Wave Length:</b>	Yellow: 587 $\pm$ 7 nm measured at 20mA Green: 565 $\pm$ 6 nm measured at 20mA Red: 625 $\pm$ 5 nm measured at 20mA

## ORDERING INFORMATION

RJE60 - 1 8 8 - X X X X - X

### Number of Ports

1 - 1 Port

### Number of Positions

8 - 8 Positions

### Number of Contacts

8 - 8 Contacts

### Shield Options

- 3 - Full shield with top tabs
- 5 - Full shield with top and side tabs
- 6 - Full shield without tabs

### Packaging

- Blank - Tray
- T - Tape & Reel

### Modifier

- 1 - Standard with boardlocks
- 2 - Without boardlocks

### LED Options

Click to view page 3 for options

### Contact Plating

- 1 - 6 $\mu$ " gold plating
- 2 - 15 $\mu$ " gold plating
- 3 - 30 $\mu$ " gold plating
- 4 - 50 $\mu$ " gold plating

### Didn't find what you were looking for?

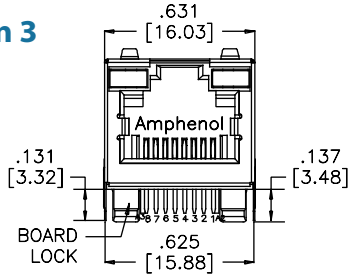
Please contact [sales@amphenolcanada.com](mailto:sales@amphenolcanada.com) and let us know what you need.

# RJE60

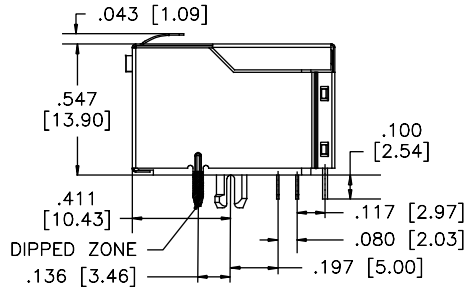
CAT 6A, RIGHT ANGLE, STANDARD PROFILE, WITH LEDs

## Single Port Shielded - Option 3

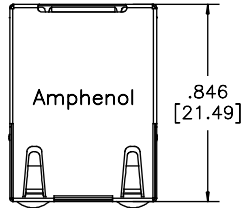
RJE60-188-3XX1



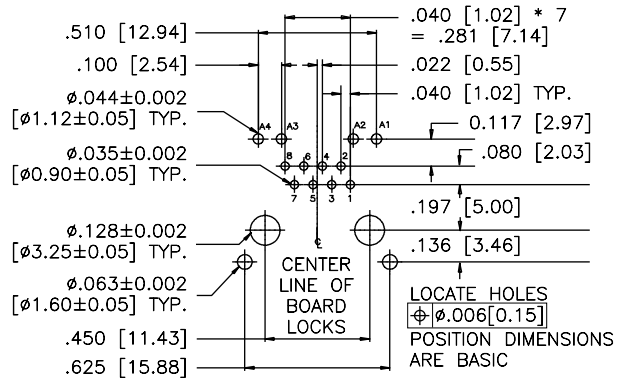
FRONT VIEW



SIDE VIEW



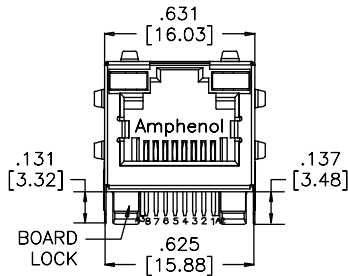
TOP VIEW



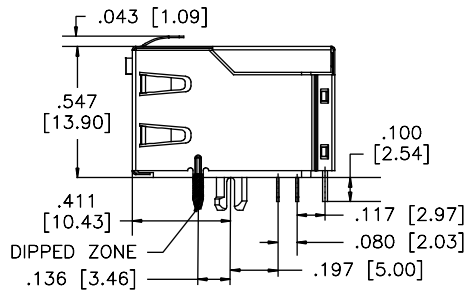
RECOMMENDED PCB LAYOUT

## Shielded - Option 5

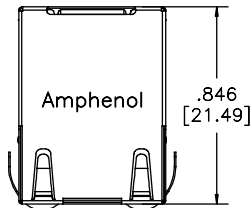
RJE60-188-5XX1



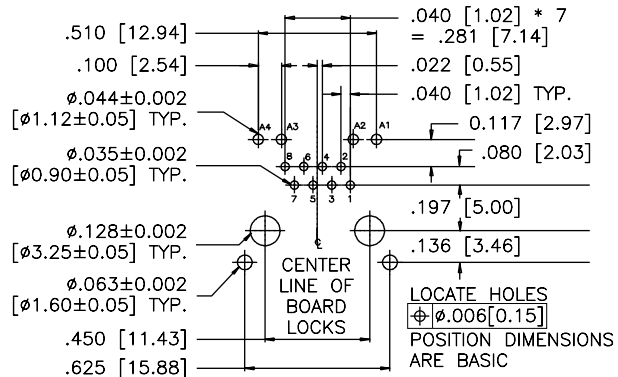
FRONT VIEW



SIDE VIEW



TOP VIEW



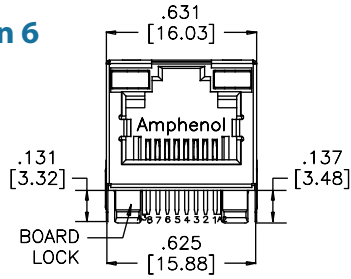
RECOMMENDED PCB LAYOUT

# RJE60

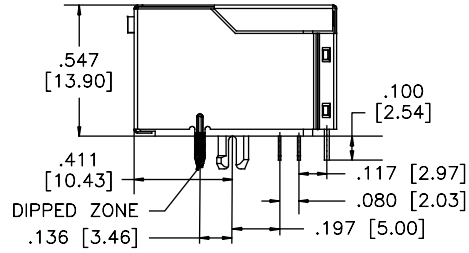
CAT 6A, RIGHT ANGLE, STANDARD PROFILE, WITH LEDS

## Single Port Shielded - Option 6

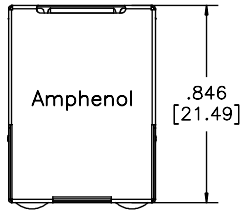
RJE60-188-6XX1



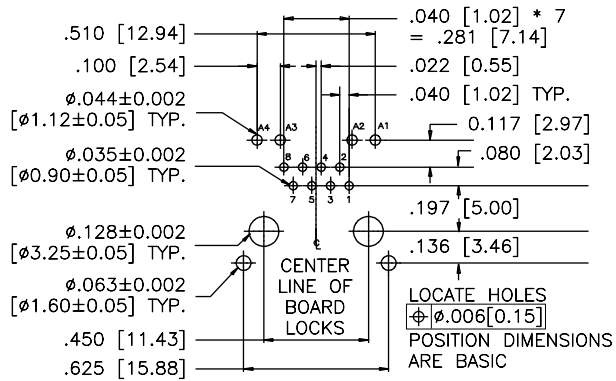
FRONT VIEW



SIDE VIEW



TOP VIEW



RECOMMENDED PCB LAYOUT

### Notes

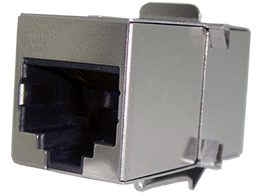


# RJE17

RJ45 COUPLER

## RJ45 COUPLER

The RJE17 coupler provides connections through barriers such as equipment covers and panels. They are locked into place with a panel latch for secure mounting. Available in CAT 3 and CAT 5e performance. The added shielding provides optional EMI protection.



## SPECIFICATIONS

### Material

<b>Insulator:</b>	Engineering thermoplastic; Complies with UL 94V-0; Black
<b>Contacts:</b>	Phosphor bronze hard temper with several gold thickness options over 50µ" min. nickel on contact mating area (refer to drawing below)
<b>Shield:</b>	Stainless steel with tin dipped tails

### Electrical

<b>Contact Resistance:</b>	20 mΩ max.
<b>Insulation resistance:</b>	500 MΩ min. at 500V DC for 2 mins max.
<b>Current Rating:</b>	1.25 Amps per contact
<b>Voltage Rating:</b>	125 Volts AC
<b>DWV:</b>	1000 VAC, 60 Hz. 1 min.

### Mechanical

<b>Insertion Force:</b>	5 lbs max.
<b>Pull Retention Force:</b>	20 lbs min.
<b>Durability:</b>	750 mating & unmating cycles
<b>Operating Temperature:</b>	-40°C to +70°C
<b>Operating Temperature:</b>	-40°C to +85°C
<b>UL File Number</b>	E136228

## ORDERING INFORMATION

RJE17 - 2 8 8 - X X X X

### Number of Ports

2 - 2 Port

### Number of Positions

8 - 8 Positions

### Number of Contacts

8 - 8 Contacts

### Shield Options

0 - No shield  
1 - Full shield

### Modifier

1 - CAT 3, matte tin plating on internal tail  
3 - Cat 5e, matte tin plating on internal tail

### Port Options

1 - Both ports are tab down  
2 - One port is tab up, other is tab down

### Contact Plating

2 - 15µ" gold plating  
3 - 30µ" gold plating  
4 - 50µ" gold plating

### Didn't find what you were looking for?

Please contact [sales@amphenolcanada.com](mailto:sales@amphenolcanada.com) and let us know what you need.

← [Click to Return to Table of Contents](#)

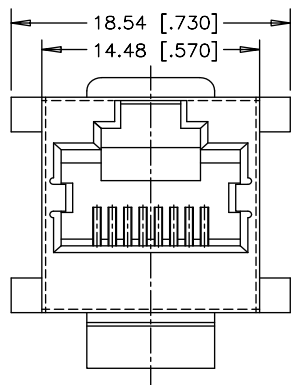
# RJE17

RJ45 COUPLER

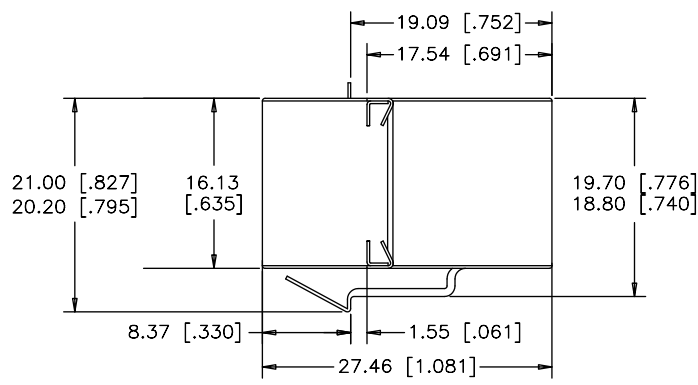
## Single Port

Shielded

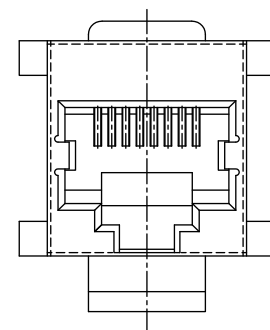
RJE17-288-1X21



FRONT VIEW



SIDE VIEW



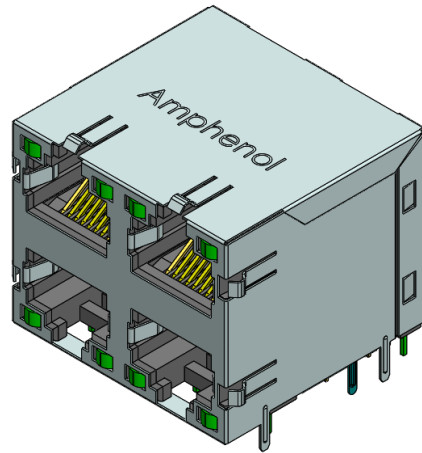
REAR VIEW

## Notes

# STACKED

## Right Angle

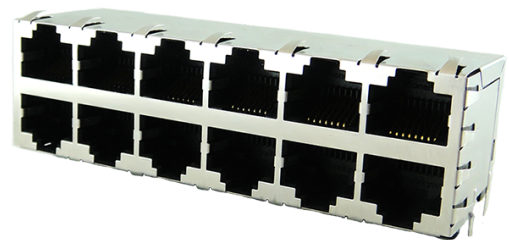
RJSDE



RJSAR



RJSFE



[← Click to Return to Table of Contents](#)

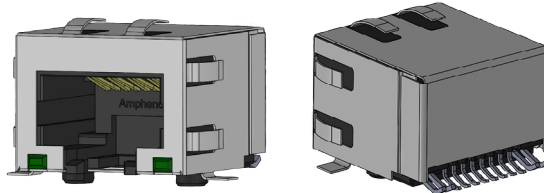
# HIGH PERFORMANCE

## CAT 5e

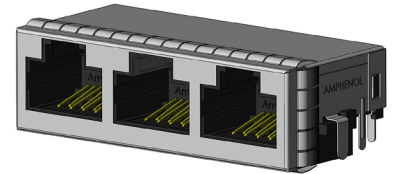
RJE1A



RJE2A



RJE72



## CAT 6

RJE1B

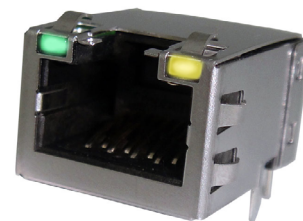


## CAT 6A

RJE1C



RJE50

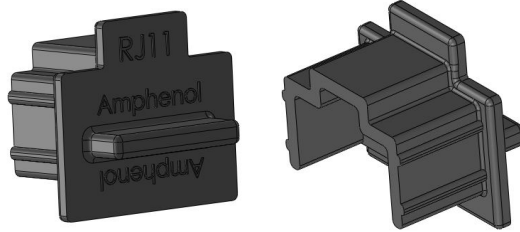


← [Click to Return to Table of Contents](#)

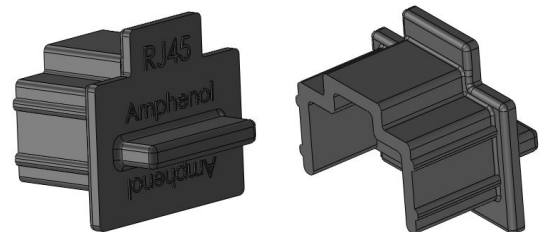
# DUST COVERS & OTHERS

## Dust Covers

FRJ-2611



FRJ-2411



## Other

RJE1L



[← Click to Return to Table of Contents](#)

# NOTES

# Amphenol ICC

605 Milner Avenue  
Toronto, Ontario  
Canada, M1B 5X6

[www.amphenolcanada.com](http://www.amphenolcanada.com) ([www.amphenol-icc.com](http://www.amphenol-icc.com))

Telephone: (416) 291-4401

Fax: (416) 754-8668

E-mail: [sales@amphenolcanada.com](mailto:sales@amphenolcanada.com)

All specifications are subject to change without notice.



## X-ON Electronics

Largest Supplier of Electrical and Electronic Components

*Click to view similar products for [Modular Connectors](#) / [Ethernet Connectors](#) category:*

*Click to view products by [Amphenol](#) manufacturer:*

Other Similar products are found below :

[RJE231881317T](#) [MP1010RX-1000](#) [MP44RX-1000](#) [GAX-3-66](#) [GAX-8-62](#) [93606-0253](#) [GD-A-44](#) [GDCX-PA-66-50](#) [GDCX-PN-64](#) [GDCX-PN-66](#) [GDCX-PN-66-50](#) [GDLX-A-66](#) [GDLX-A-88](#) [GDLX-N-66](#) [GDLX-S-88K](#) [GDTX-S-88-50](#) [GDX-PA-1010](#) [GLX-N-1010M-BLK](#) [GLX-N-44M](#) [GLX-S-88M-BLK](#) [GMX-N-1010](#) [GMX-S-1010](#) [GMX-S-66](#) [GMX-SMT2-N-1010](#) [GMX-SMT2-N-64-50](#) [GMX-SMT2-S6-88](#) [GMX-SMT4-N-88](#) [GPX-2-64](#) [GRT1-BT1-5](#) [GSGX-N-2-88](#) [GSX-NS2-88-3.05](#) [GSX-NS2-88-3.05-50](#) [GSX-NS-88-3.05-30](#) [GSX-NS-88-3.05-50](#) [GSX-NS-88-3.68](#) [1-1775629-2](#) [GWLX-S-88-GR](#) [GWLX-S9-88-YG](#) [1300500326](#) [1300500227](#) [1300530003](#) [1300570002](#) [1324640-4](#) [RJ11FTVC2G](#) [RJ11FTVC2N](#) [RJFTVX2SA1G](#) [132764-001](#) [1400000](#) [1413176](#) [1413235](#)