



**Zakład Mechaniki i Elektroniki
ZAMEL sp.j.**
J.W. Dzida, K. Łodzińska

zAMEL

ul. Zielona 27, 43-200 Pszczyna, Poland
Tel. +48 (32) 210 46 65, Fax +48 (32) 210 80 04
www.zamelcet.com, e-mail: marketing@zamel.pl

DESCRIPTION

PIM-03 installation changeover switch is used in control systems. The device equipped with three-position changeover switch I-0-II enables to choose either the control of one of two output circuits or their total switch off. It also enables cooperation and control of home building automation devices and receivers with maximum 10 A current.

FEATURES

- Used in control systems,
- possible control of home building automation devices,
- possible direct control of receivers,
- middle/central position switch,
- 10 A current capacity,
- mono modular casing,
- TH35 rail installation.



CAUTION

The device is designed for single-phase installation and must be installed in accordance with standards valid in a particular country. The device should be connected according to the details included in this operating manual. Installation, connection and control should be carried out by a qualified electrician staff, who act in accordance with the service manual and the device functions. Disassembling of the device is equal with a loss of guarantee and can cause electric shock. Before installation make sure the connection cables are not under voltage. The cruciform head screwdriver 3,5 mm should be used to instal the device. Improper transport, storage, and use of the device influence its wrong functioning. It is not advisable to instal the device in the following cases: if any device part is missing or the device is damaged or deformed. In case of improper functioning of the device contact the producer.

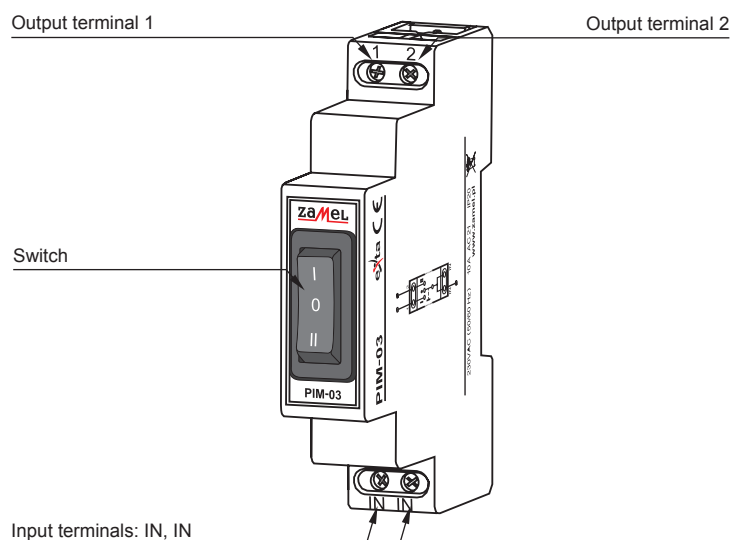


The symbol means selective collecting of electrical and electronic equipment. It is forbidden to put the used equipment together with other waste.

TECHNICAL PARAMETERS

PIM-03	
Input terminals:	IN, IN (internal connected)
Output terminals:	1, 2
Number of changeover switch positions:	3 (I, 0, II)
Maximum working voltage:	250 V AC
Maximum current allowable:	10 A AC 21
Contact resistance:	< 100 mΩ (for 12 V AC)
Number of terminal clamps:	4
Section of connecting cables:	0,2 ÷ 2,50 mm ²
Ambient temperature range:	-20 ÷ +45 °C
Operating position:	freely
Casing mounting:	rail TH 35 (acc to PN-EN 60715)
Casing protection degree:	IP20 (PN-EN 60529)
Protection level:	II
Overvoltage category:	II
Pollution degree:	2
Dimensions:	mono modular 90x17,5x66 mm
Weight:	68 g
Reference standard:	PN-EN 60669-1; PN-EN 60669-2-1 PN-EN 61000-4-2,3,4,5,6,11

APPEARANCE

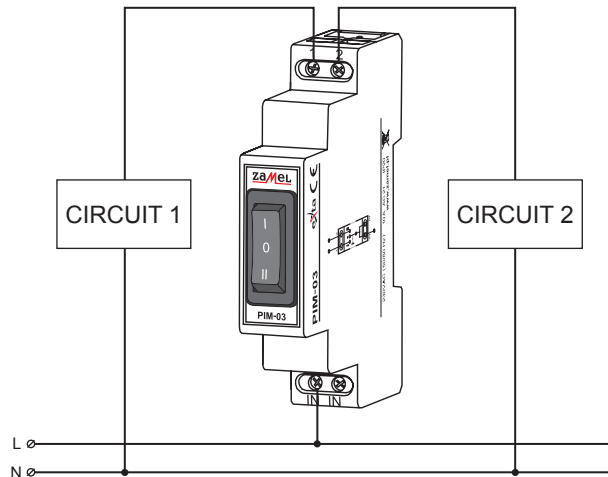


MOUNTING, FUNCTIONING

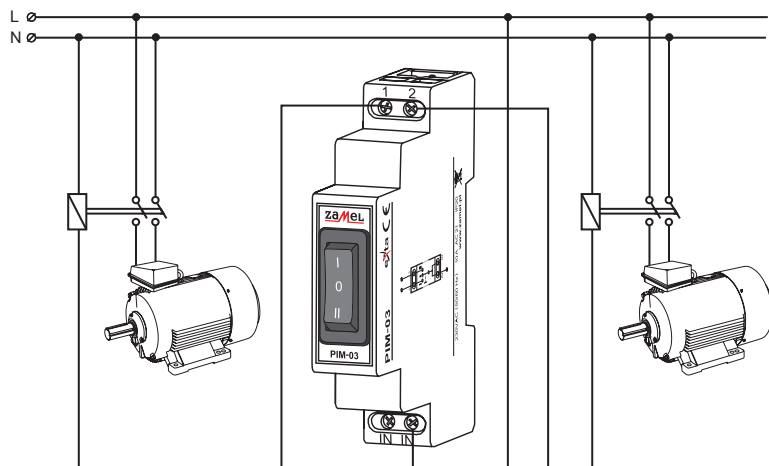
1. Disconnect power supply by the phase fuse, the circuit-breaker or the switch-disconnector combined to the proper circuit.
2. **Check if there is no voltage on connection cables by means of a special measure equipment.**
3. Install the PIM-03 on the TH-35 DIN rail in the switchboard.
4. Connect the cables with the terminals in accordance with the installing diagram.
5. Switch on the power supply from the mains.

The device is ready to work after correct mounting and connecting. If the changeover switch is switched into position I it will cause short circuit of contact IN-1, and when it is switched into position II there is a short circuit of contact IN-2. The changeover switch in position 0 causes output terminals 1 and 2 are insulated from input terminal IN. This device can directly control receivers with power consumption up till 10 A or it cooperates with other home building automation devices.

CONNECTING



APPLICATION



PRODUCT FAMILY

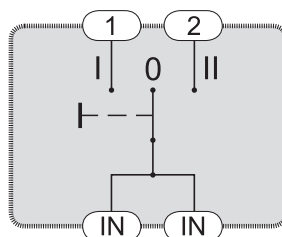
The PIM-03 device belongs to PIM product group.

PIM-XX

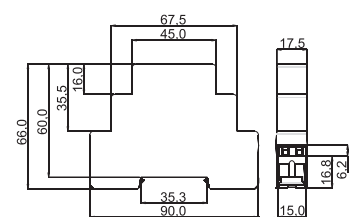
Device type:
03 - three-position
changeover switch

Device symbol

INNER DIAGRAM



DIMENSIONS



WARRANTY CARD

There is 24 months guarantee on the product

Salesman stamp and signature, date of sale

1. ZMIE ZAMEL SP. J. assures 24 months guarantee for the product.
2. The manufacturer's guarantee does not cover any of the following actions:
 - a) mechanical damage during transport, loading / unloading or under other circumstances,
 - b) damage caused by incorrect product mounting or misuse,
 - c) damage caused by unauthorised modifications made by the PURCHASER or any third parties to the product or any other devices needed for the product functioning,
 - d) damage caused by Act of God or any other incidents independent of the manufacturer.
3. The PURCHASER shall lay any claims in writing to the dealer or ZMIE ZAMEL SP. J.
4. ZMIE ZAMEL SP. J. is liable for processing any claim according to current Polish legislation.
5. ZMIE ZAMEL SP. J. shall process the claim at its own discretion: product repair, replacement or money return.
6. The manufacturer's guarantee is valid in the Republic of Poland.
7. The PURCHASER's statutory rights in any applicable legislation whether against the retailer arising from the purchase contract or otherwise are not affected by this warranty.

X-ON Electronics

Largest Supplier of Electrical and Electronic Components

Click to view similar products for [Mounting Fixings](#) category:

Click to view products by [Zamel](#) manufacturer:

Other Similar products are found below :

[007310](#) [007541](#) [6-141-P](#) [620HA038NF09](#) [620HA038NF11](#) [71-074914-006](#) [71-146610-6H](#) [712HA170B23128-N](#) [71-441549-19S](#) [71-490451-4H](#) [75-69211-3P](#) [75-69224-5S](#) [770-006A109](#) [770-006A109R](#) [770-006A207](#) [770-006A208W1](#) [770-006A209](#) [770-006A306](#) [770-006A703W1](#) [770-006A704](#) [770-006A704W1](#) [770-006A705](#) [770-006A706](#) [770-006A706W1](#) [770-006A707](#) [770-006A709](#) [770-007A203](#) [770-007A203W1](#) [770-007A204W1](#) [770-007A207W1](#) [770-007A703](#) [770-007A704W1](#) [770-007A706](#) [770-007A707W1](#) [770-010Y208](#) [770-010Y308](#) [770-010Y705](#) [770-010Y706](#) [770-010Y707W1](#) [770-011T201](#) [770-011T203](#) [770-011T701W1](#) [770-011T702](#) [770-011T702W1](#) [770-011T703](#) [770-013210W1](#) [770-013311](#) [770-013312](#) [770-013709](#) [770-013711](#)